

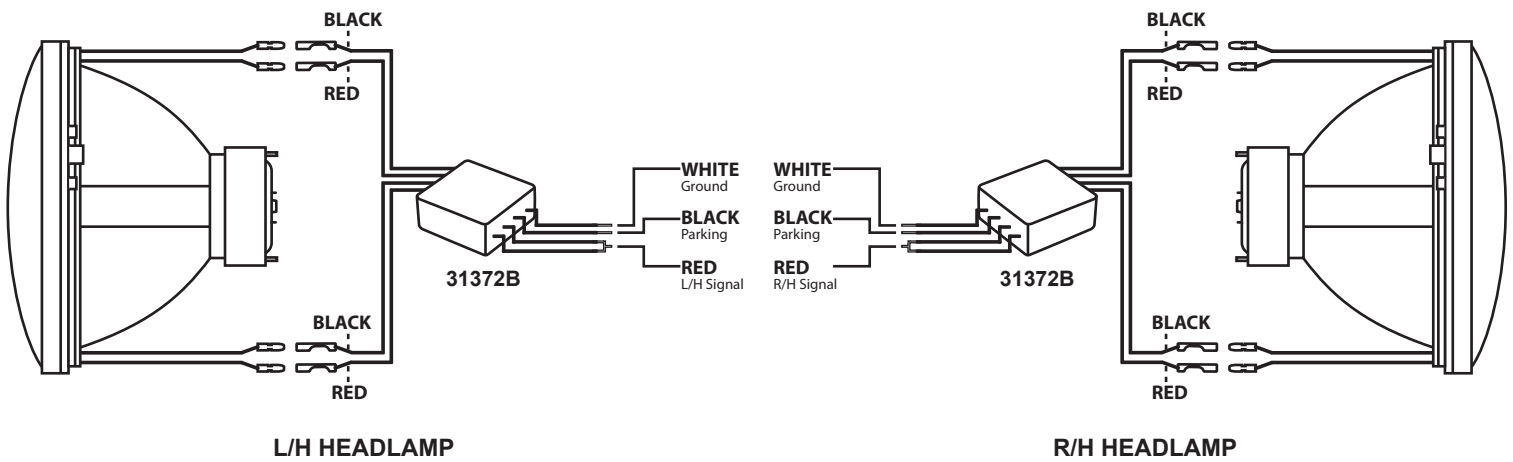


Dual Function LED Accent Light Control Module

- This control module will add Low/High function to the 34 LED accent lights on United Pacific headlamps # 31378 and 31379
- This module is not for use with incandescent bulbs
- 12 Volt systems only

For Cars & Trucks

- Red wires 12+ for turn signal (high brightness). Connect BOTH red wires together.
- Black wire 12+ for parking/running light (lower brightness).
- White wire negative (ground-).



For Motorcycles

- Red wires 12+ for R/H and L/H turn signal (high brightness).
- Black wire 12+ for parking/running light (lower brightness).
- White wire negative (ground-).

