



MODEL SPECIFIC GUIDE

Hidden Hinge Version

Model 5086 Nissan Titan Ext/Crew Cab 6.5' Short Bed 2016-Current *(with Utili Trac system)*



Note: If your truck is not equipped with the Utili Trac system please contact customer service at the number below. We have an adapter bracket that can be sent to you at no charge.

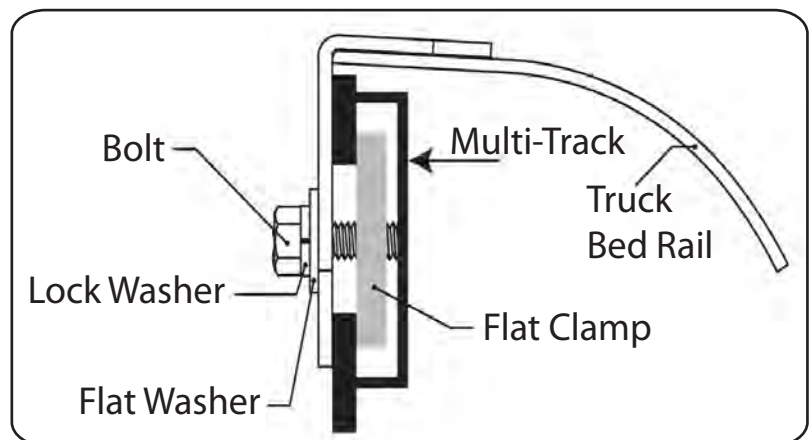


RE: Step 2 on the Quick Start Guide

For this install you will need to start with the front brackets first. Slightly screw on two Flat Clamps to the front bracket and starting from the rear, insert into the Utili Trac and slide to the front. Position bracket according to measurements on the reverse side. *Hint: Attach the hardware to the brackets and then slide the brackets into position, do this for both front and rear brackets to allow for a much easier installation.*



Note: Before beginning install, you must first remove the Utili Trac end cap lock, you will not need to reinstall the end cap lock.

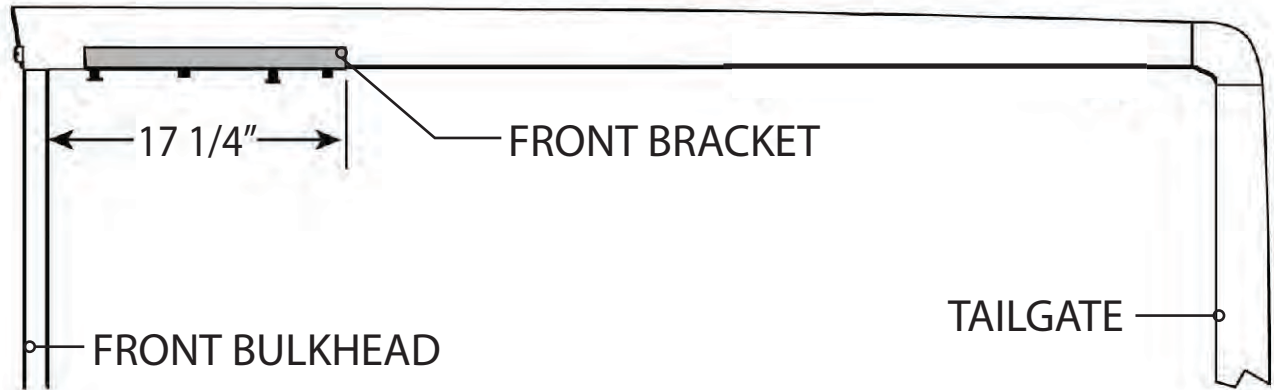


MODEL SPECIFIC GUIDE Hidden Hinge Version Model 5086 Nissan Titan 6.5' Bed

RE: Step 2 on the Quick Start Guide (Note: Steps are reversed from the Quickstart guide)

Measurement for the front mounting bracket is 17 1/4" from the back side of the bulkhead to the end of the bracket.

TOP VIEW PASSENGER SIDE



RE: Step 3 on the Quick Start Guide

Measurement for the rear mounting bracket is 51" from the back side of the bulkhead to the front edge of the bracket.

The fit of the cover to the truck bed is determined by the front mounting brackets. This measurement is a good starting point. Unfortunately not all truck beds are assembled 100% square, so some adjustments may be necessary after the cover is set on the truck.

TOP VIEW PASSENGER SIDE

