



MODEL SPECIFIC GUIDE

Hidden Hinge Version

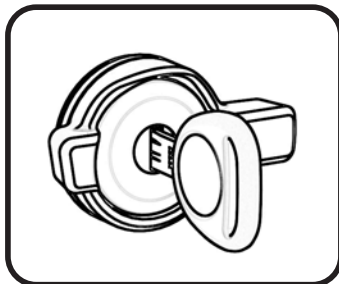
Model 1148 GMC Sierra Std/Ext/Crew Cab

6.5' Short Bed 2014-Current



Program Your Key

⚠ WARNING ⚠
IF KEY IS NOT FULLY INSERTED PRIOR TO ROTATING - DAMAGE TO LOCK *WILL* OCCUR.



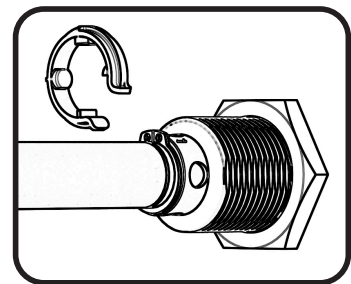
STEP ONE

REMOVE LABEL,
FULLY INSERT KEY



STEP TWO

ROTATE CLOCKWISE
180 DEGREES



STEP THREE

REMOVE PLASTIC CLIP
BY PUSHING ON TABS.
DISCARD CLIP.

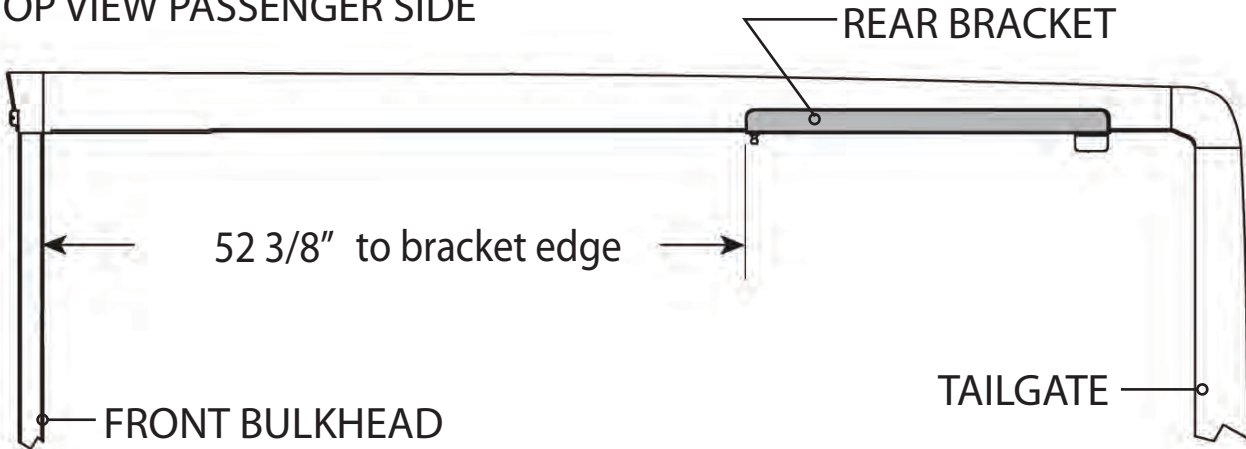
MODEL SPECIFIC GUIDE Hidden Hinge Version

Model 1148 GMC Sierra 6.5' Short Bed 2014-Current

RE: Step 2 on the Quick Start Guide

Measurement for the rear mounting bracket is $52\frac{3}{8}$ " from the back side of the bulkhead to the front edge of the bracket.

TOP VIEW PASSENGER SIDE



RE: Step 3 on the Quick Start Guide

Measurement for the front mounting bracket is 16 " from the back side of the bulkhead to the end of the bracket.

The fit of the cover to the truck bed is determined by the front mounting brackets. This measurement is a good starting point. Unfortunately not all truck beds are assembled 100% square, so some adjustments may be necessary after the cover is set on the truck.

TOP VIEW PASSENGER SIDE

