



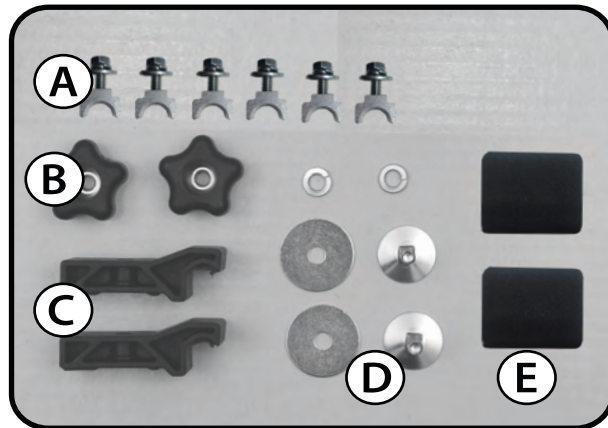
FX-Z

Model Specific Install Guide

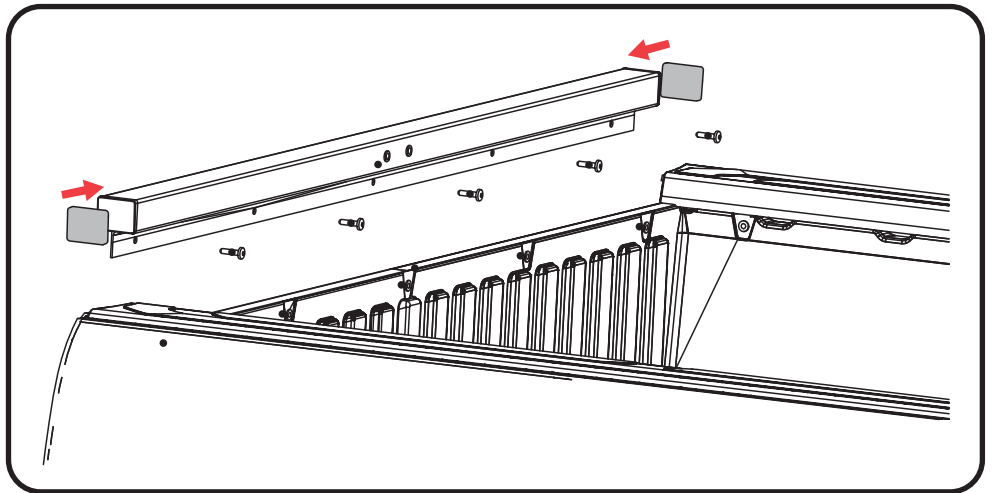
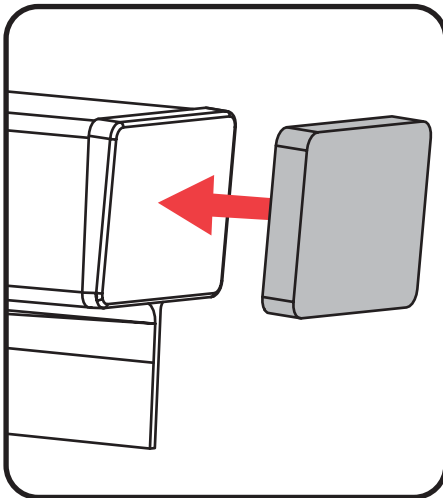
Toyota Tacoma Applications

1 Hardware Kit Check List

- A. Clamp kit (6)
- B. Star knob (2)
- C. Front Retainer Clamp (2)
- D. Front Mounting Bolts (2)
Lock Washer (2), Flat Washer (2)
- E. Bulkhead gaskets (2)



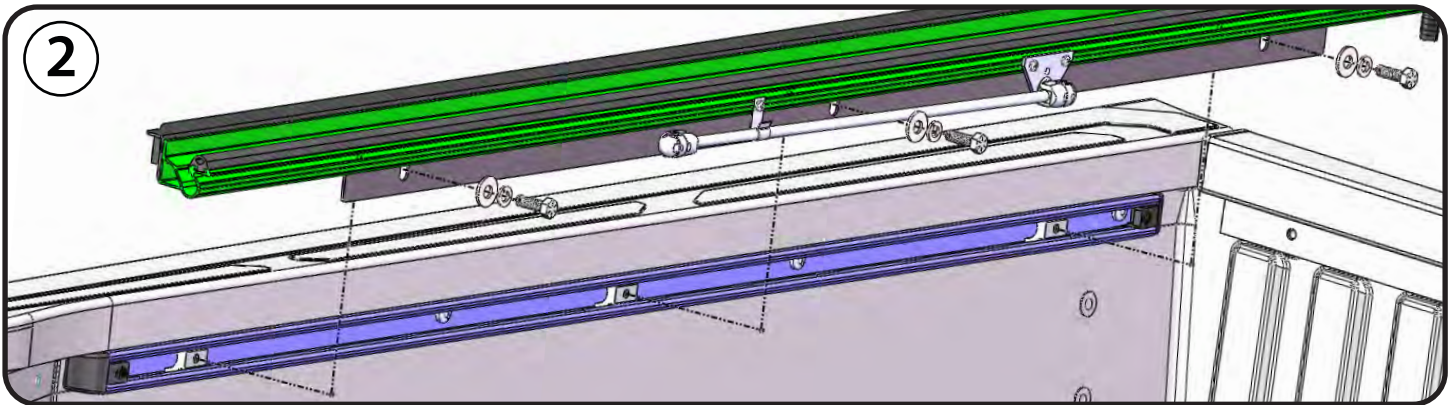
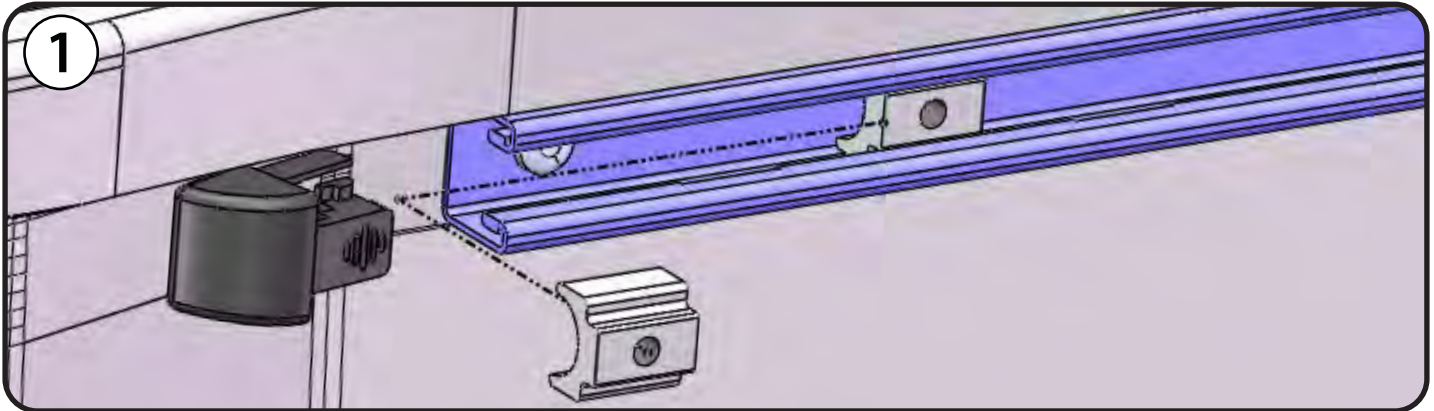
KIT - Z



Bulkhead Gasket Install

Using a T30 torx driver, remove the 5 fasteners securing the header rail to the bulkhead at the front of the bed. Adhere the gasket to the header rail end caps and reinstall the header rail.

2 Attach Side Mounting Rails



Slide the clamp assembly (3 per side) into the Utility rail, position one front, one center and one rear, Figure 1.

Using three (3) bolts per side attach both left and right side rails to the truck bed, Figure 2. The end of the mounting rail with the drain tube fitting will go towards the cab of the truck. Tighten the bolts using a 1/2" wrench or socket.

Warning! Do not overtighten the clamp assembly. A torque wrench is not necessary. If preferred, torque is apx 75 inch lbs.

Warning! Clamps must be checked periodically for tightness. Failure to do so could result in damage to you or your property.

