



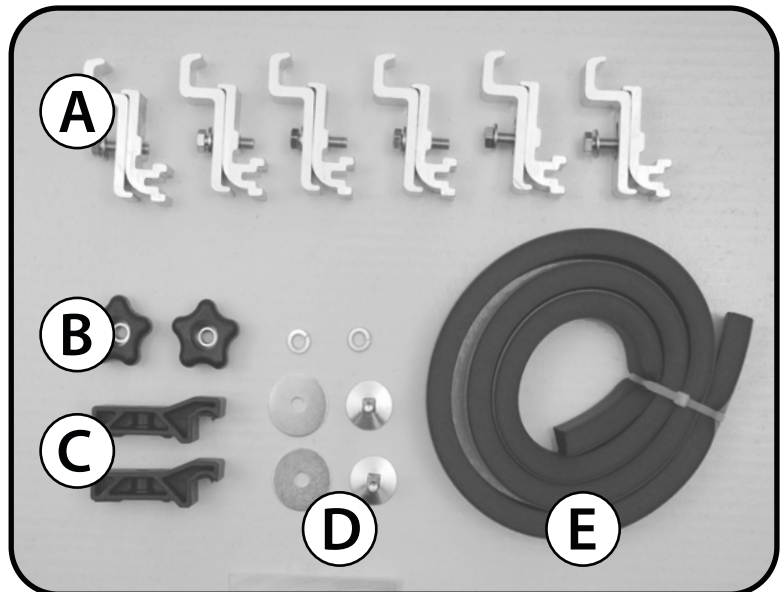
FX-P

Model Specific Install Guide

Toyota Applications

1 Hardware Kit Check List

- A. Clamp kit (6)
- B. Star knob (2)
- C. Front Retainer Clamp (2)
- D. Front Mounting Bolts (2)
Lock Washer (2), Flat Washer (2)
- E. Bulkhead Seal (1)



KIT - P

2 Attach Side Mounting Rails

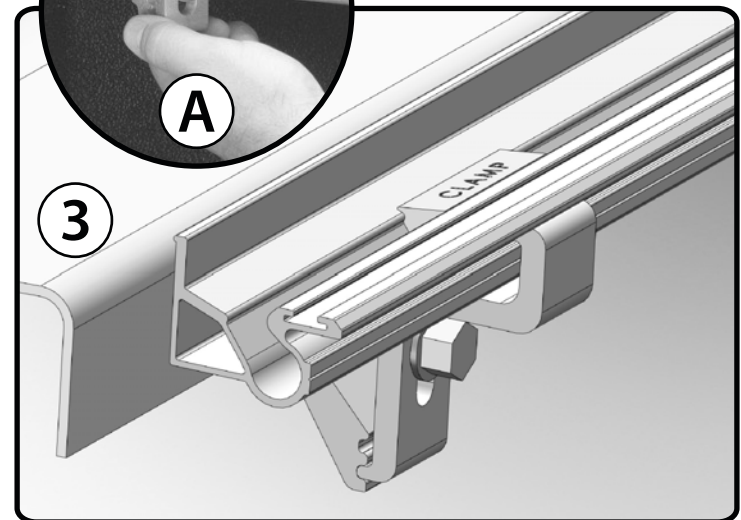
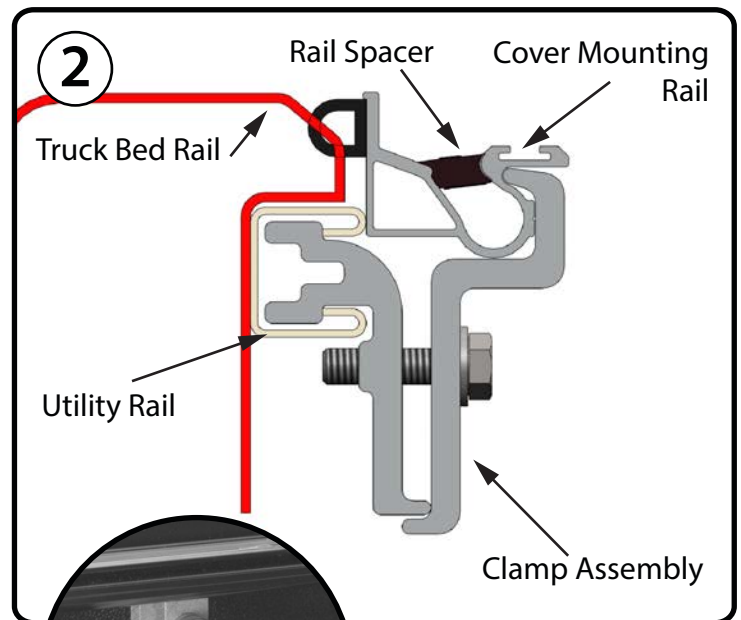
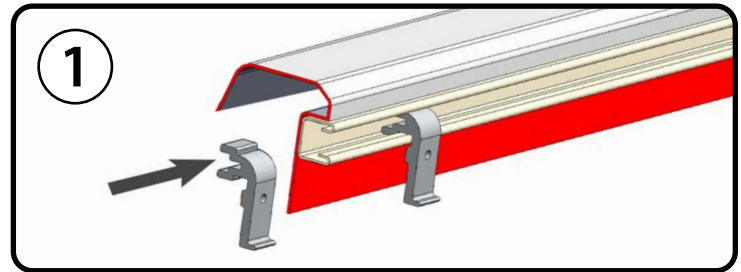
Attach both left and right side rails to the truck bed. The end of the mounting rail with the drain tube fitting will go towards the cab of the truck.

Slide the clamp assembly (3 per side) into the Utility rail, position one front, one center and one rear, Figure 1.

Using three (3) clamps per side attach the rail to the bed, position the clamps adjacent to each of the black rail spacers. Position the side mounting rail flush to 1/8" above the bed rail and hand tighten, Figure 2 & 3. Tighten the clamps using a 1/2" wrench or socket, Photo A.

Note: If you discover your truck will not allow you to position a clamp adjacent to the spacer, simply slide the spacer forward or back as needed.

Install the Bulkhead Seal to the front rail of the truck bed and cut to length.



Warning! Do not overtighten the clamp assembly. A torque wrench is not necessary. If preferred, torque is apx 75 inch lbs.

Warning! Clamps must be checked periodically for tightness. Failure to do so could result in damage to you or your property.