



MODEL SPECIFIC GUIDE

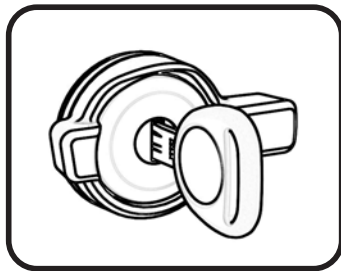
Hidden Hinge Version

Model 1168 Chevy Colorado/GMC Canyon
Std/Ext Cab 6' Short Bed 2015

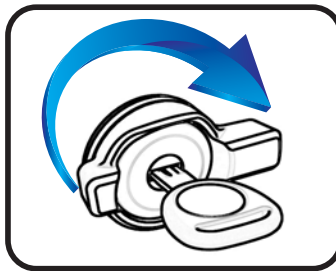


Program Your Key

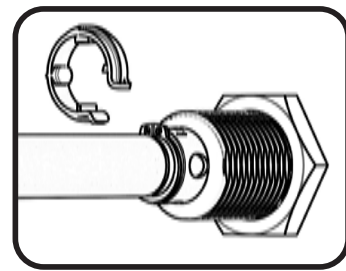
WARNING
IF KEY IS NOT FULLY INSERTED PRIOR TO ROTATING - DAMAGE TO LOCK WILL OCCUR.



STEP ONE
REMOVE LABEL,
FULLY INSERT KEY

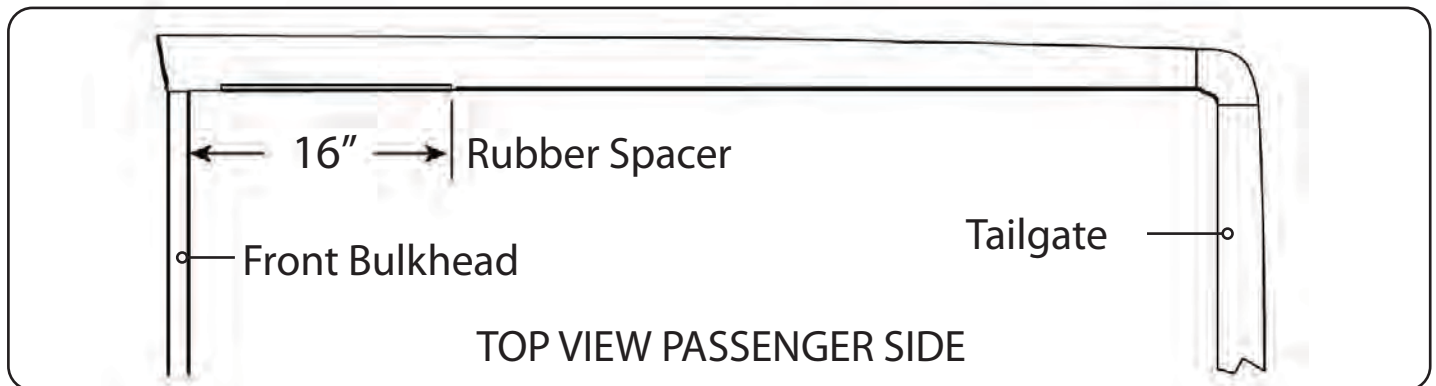
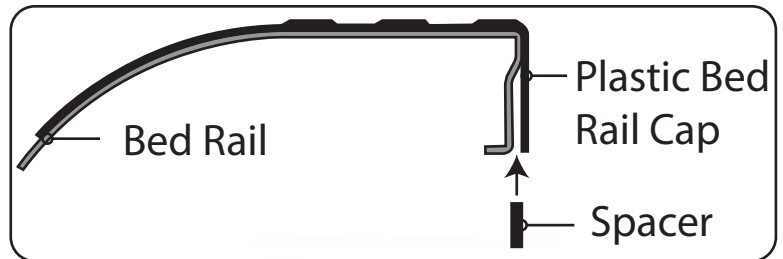


STEP TWO
ROTATE CLOCKWISE
180 DEGREES



STEP THREE
REMOVE PLASTIC CLIP
BY PUSHING ON TABS.
DISCARD CLIP.

Note: The hardware kit for this truck includes 2 rubber spacers. These rubber spacers are to be placed between the plastic bed rail cap and the bed rail prior to installing the front brackets. Attach according to the diagram below.



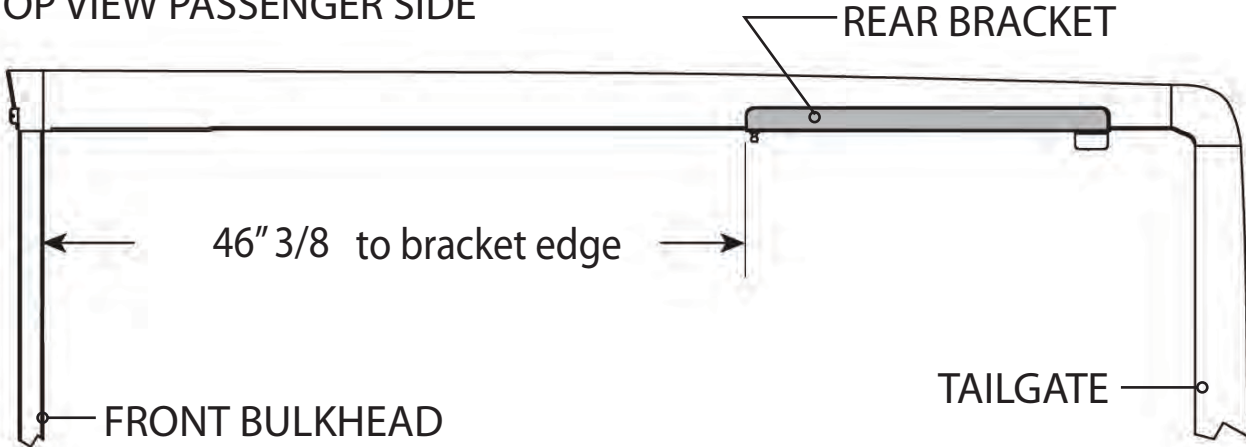
MODEL SPECIFIC GUIDE Hidden Hinge Version

Model 1168 Colorado/Canyon 6' Short Bed 2015

RE: Step 2 on the Quick Start Guide

Measurement for the rear mounting bracket is $46\frac{3}{8}$ " from the back side of the bulkhead to the front edge of the bracket.

TOP VIEW PASSENGER SIDE



RE: Step 3 on the Quick Start Guide

Measurement for the front mounting bracket is $16\frac{1}{4}$ " from the back side of the bulkhead to the end of the bracket.

The fit of the cover to the truck bed is determined by the front mounting brackets. This measurement is a good starting point. Unfortunately not all truck beds are assembled 100% square, so some adjustments may be necessary after the cover is set on the truck.

TOP VIEW PASSENGER SIDE

