

# ELITE

by UnderCover

## MODEL SPECIFIC GUIDE

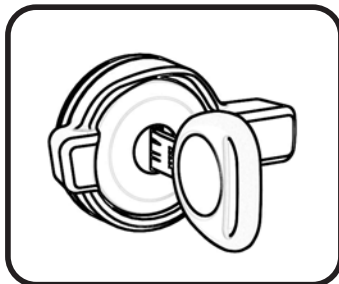
Hidden Hinge Version

Model 1148 GMC Sierra Std/Ext/Crew Cab  
6.5' Short Bed 2014-Current



### Program Your Key

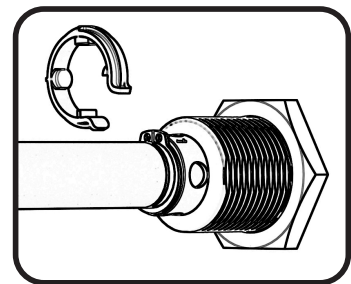
**WARNING**  
IF KEY IS NOT FULLY INSERTED PRIOR TO ROTATING - DAMAGE TO LOCK *WILL* OCCUR.



**STEP ONE**  
REMOVE LABEL,  
FULLY INSERT KEY



**STEP TWO**  
ROTATE CLOCKWISE  
180 DEGREES



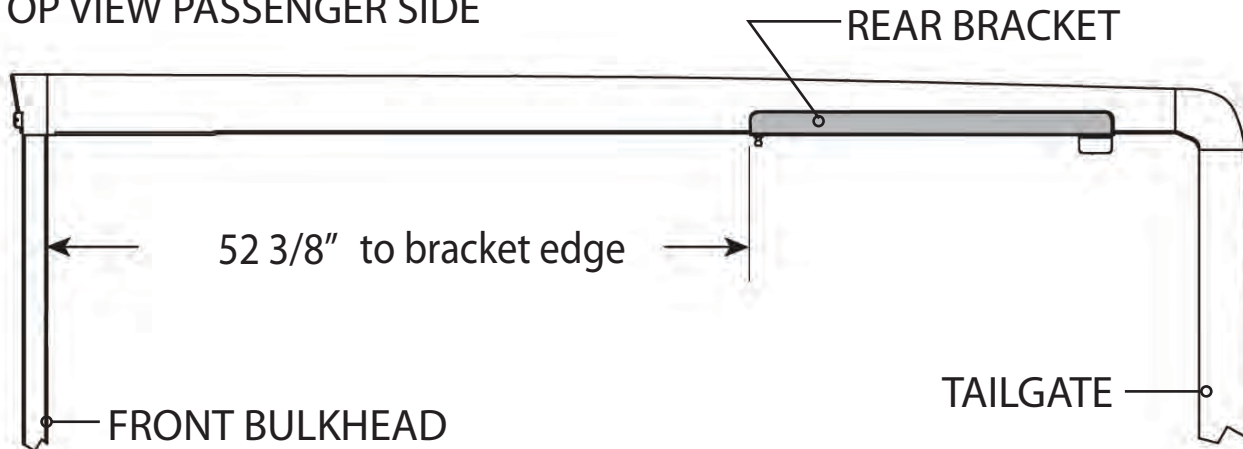
**STEP THREE**  
REMOVE PLASTIC CLIP  
BY PUSHING ON TABS.  
DISCARD CLIP.

## MODEL SPECIFIC GUIDE Hidden Hinge Version Model 1148 GMC Sierra 6.5' Short Bed 2014-Current

### RE: Step 2 on the Quick Start Guide

Measurement for the rear mounting bracket is  $52\frac{3}{8}$ " from the back side of the bulkhead to the front edge of the bracket.

#### TOP VIEW PASSENGER SIDE



### RE: Step 3 on the Quick Start Guide

Measurement for the front mounting bracket is  $16$ " from the back side of the bulkhead to the end of the bracket.

The fit of the cover to the truck bed is determined by the front mounting brackets. This measurement is a good starting point. Unfortunately not all truck beds are assembled 100% square, so some adjustments may be necessary after the cover is set on the truck.

#### TOP VIEW PASSENGER SIDE

