



# MODEL SPECIFIC GUIDE

## Hidden Hinge Version

**Model 1126 Chevy Silverado Std/Ext/Crew Cab**  
**6.5' Short Bed 2014-Current (will not fit 2014 Silverado 2500hd)**

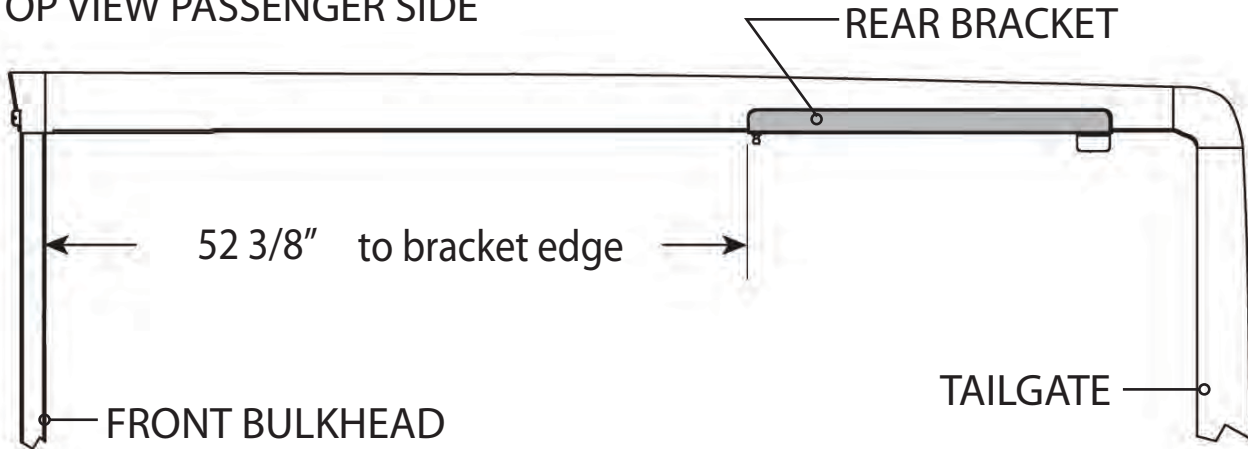


## MODEL SPECIFIC GUIDE Hidden Hinge Version Model 1126 Chevy Silverado 6.5' Short Bed 2014-Current

### RE: Step 2 on the Quick Start Guide

Measurement for the rear mounting bracket is  $52\frac{3}{8}$ " from the back side of the bulkhead to the front edge of the bracket.

#### TOP VIEW PASSENGER SIDE



### RE: Step 3 on the Quick Start Guide

Measurement for the front mounting bracket is  $16$ " from the back side of the bulkhead to the end of the bracket.

The fit of the cover to the truck bed is determined by the front mounting brackets. This measurement is a good starting point. Unfortunately not all truck beds are assembled 100% square, so some adjustments may be necessary after the cover is set on the truck.

#### TOP VIEW PASSENGER SIDE

