



MODEL SPECIFIC GUIDE

Hidden Hinge Version

**Model 1096 GMC Sierra Std/Ext/Crew Cab
6.5' Short Bed 2007-2013 (also fits 2014 Sierra 2500hd)**



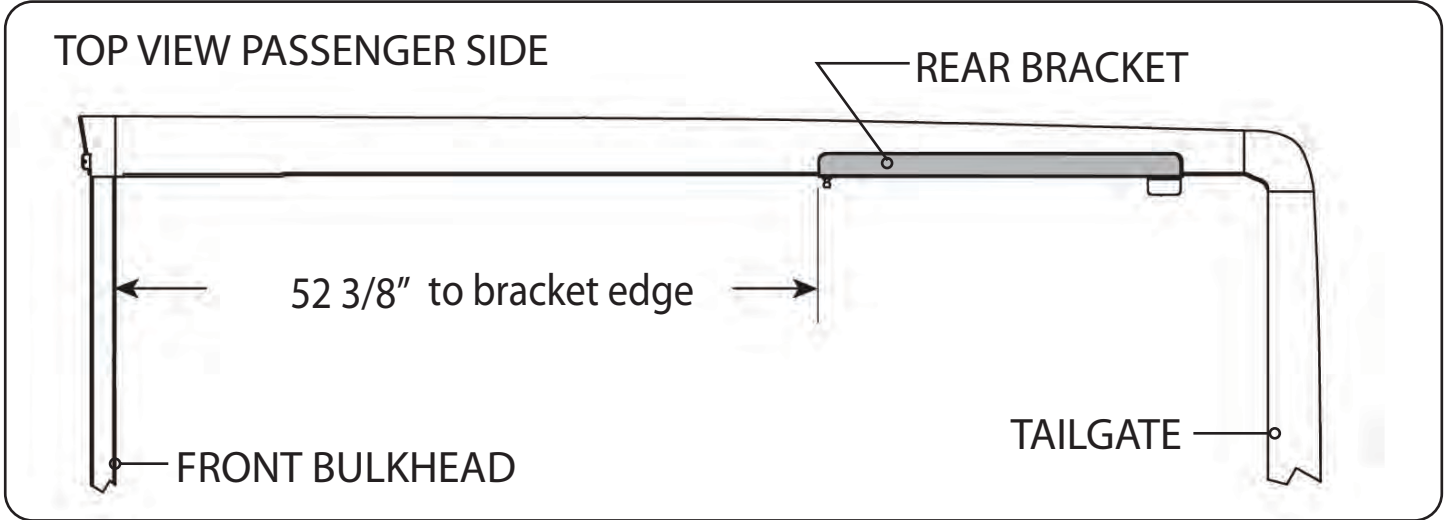
Note: If your truck is equipped with a spoiler style tailgate piece, you will need to replace it with a standard smooth style tailgate piece like the photo to the left.

MODEL SPECIFIC GUIDE Hidden Hinge Version

Model 1096 GMC Sierra 6.5' Short Bed 2007-2013

RE: Step 2 on the Quick Start Guide

Measurement for the rear mounting bracket is $52\frac{3}{8}$ " from the back side of the bulkhead to the front edge of the bracket.



RE: Step 3 on the Quick Start Guide

Measurement for the front mounting bracket is 16" from the back side of the bulkhead to the end of the bracket.

The fit of the cover to the truck bed is determined by the front mounting brackets. This measurement is a good starting point. Unfortunately not all truck beds are assembled 100% square, so some adjustments may be necessary after the cover is set on the truck.

