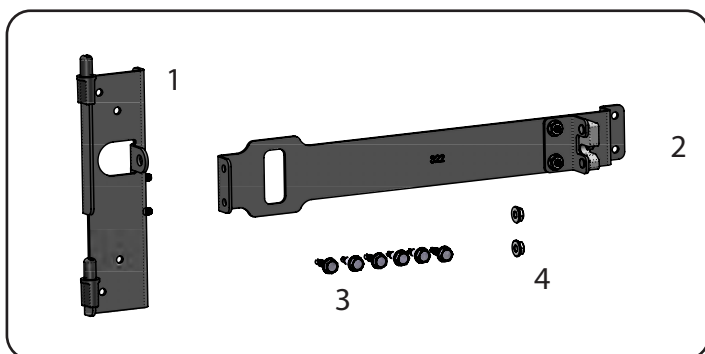




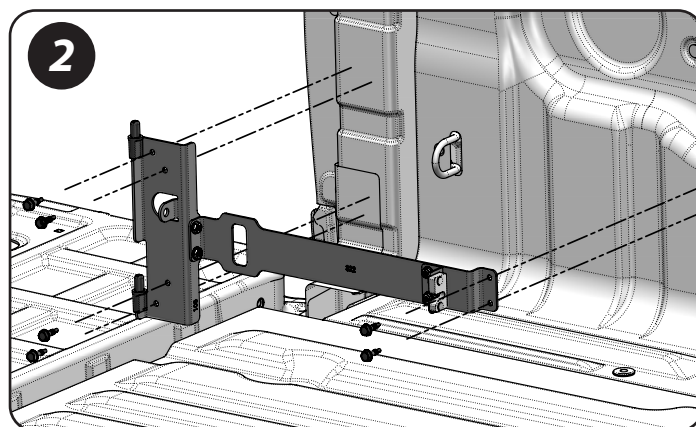
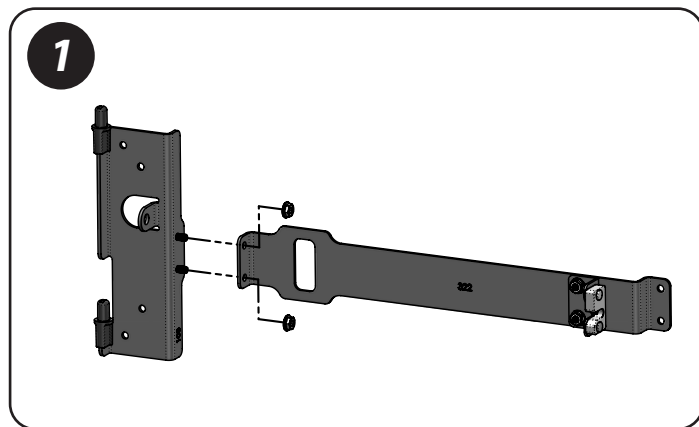
Installation Guide

SC502D - Drivers Side Nissan Titan 2016



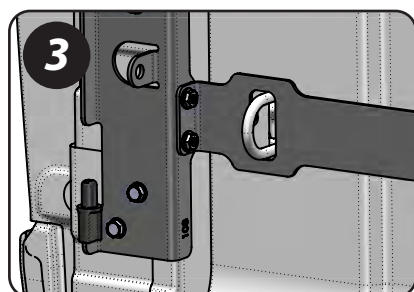
Hardware Included

1. Truck Bracket
2. Striker Bracket
3. Mounting Screws (qty 6)
4. Assembly Nuts (qty 2)



1. **BRACKET ASSEMBLY** - Attach the striker bracket to the truck bracket using the two (2) assembly nuts.

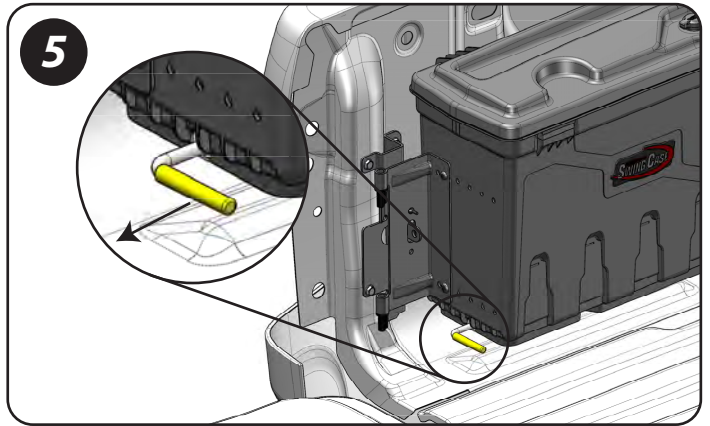
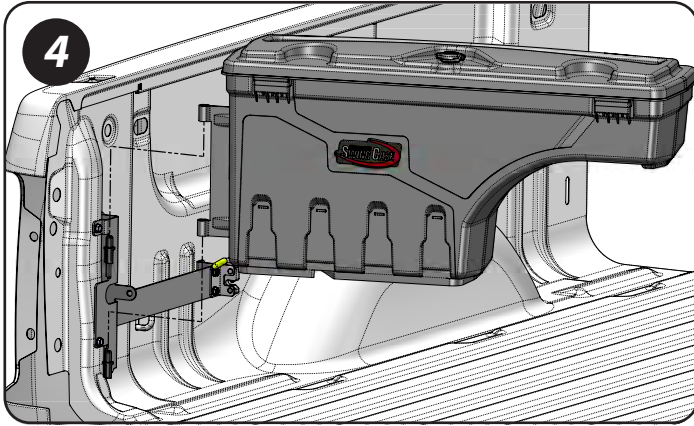
2. **INSTALLING MOUNTING BRACKET ASSEMBLY** - Position the bracket to the light well/wheel well area. It is not necessary to remove the tie down.



3. **INSTALLING MOUNTING BRACKET ASSEMBLY (continued)**
Locate the bracket against the lightwell and over the tiedown as shown in the drawing. Using the six (6) self drilling screws provided, attach the bracket to the truck . Be careful not to overtighten and strip out the holes.



Installation Guide - Continued

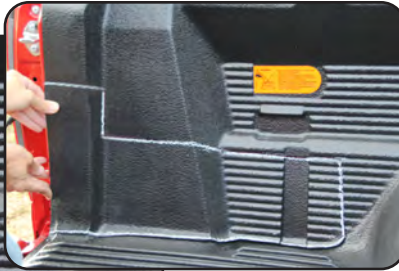
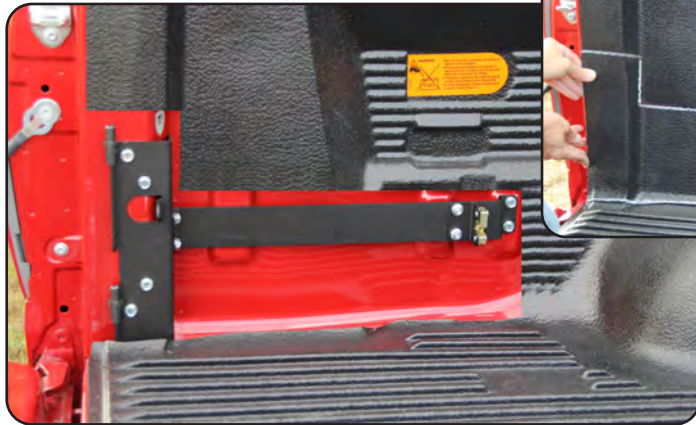


4. INSTALLING SWING CASE

Lower the box onto the hinge pins and gently push the box to the stowed position.

5. OPERATION AND ADJUSTMENT

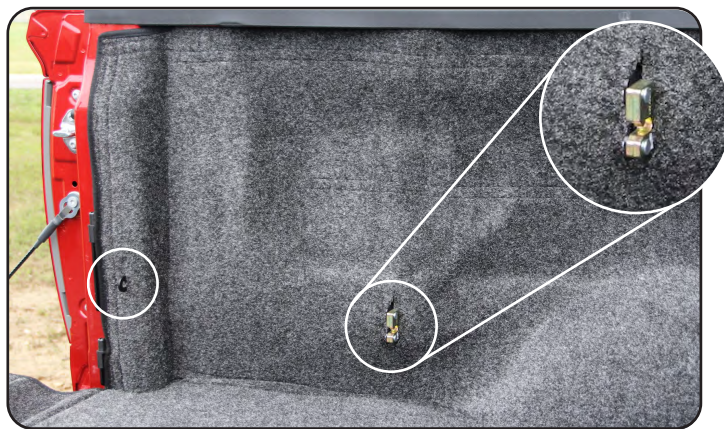
Pull the latch rod and swing through the full motion making sure it operates freely and latches easily. Do not slam the box to stow it, if it will not latch easily it may be necessary to make some minor adjustments. The latch has slotted holes, just loosen the two bolts and adjust as needed. Be sure to blow or sweep the metal shavings out of the truck bed.



• FOR TRUCKS WITH PLASTIC BED LINERS

For trucks with plastic bed liners it will be necessary to trim the liner. DO NOT INSTALL THE BRACKETS ON TOP OF THE BEDLINER. The brackets will not fit over the plastic bedliner, the brackets must be attached directly to the sheet metal. Hold the brackets up against the bedliner in their approximate location. Using a grease pencil, mark lines to indicate where to cut the bedliner. Once

you have finished trimming your bedliner, install the brackets per the instructions in Steps 1 through 5. Due to the fact that all the brands of bed liners fit differently we can not provide exact instructions as how much of your liner to trim. These pictures are only an example and may not accurately depict your specific situation.



• FOR TRUCKS WITH BED RUGS

For trucks with Bed Rugs it will be necessary to cut slots in the material. WE DO NOT RECOMMENDED TO INSTALL THE BRACKETS ON TOP OF THE BED RUG. Most of the brackets will fit under the bed rug, pull the Bed Rug loose from the corner, remove any hook and loop strips that may be in the way of the brackets, and install the brackets per instructions in Steps 1 through 5. Push the rug around the latch bracket and cut a slot to allow it to stick through. Push the rug around the pad lock piece and cut a slot to allow it to stick through. It may be necessary to remove the rubber bumper from the bracket assembly. You will need to re-attach the Bed Rug to the truck bracket at the light well using the existing hook and loop strips.