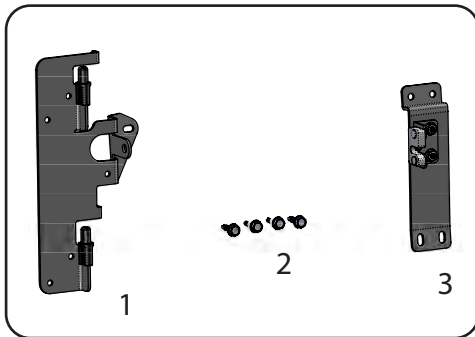




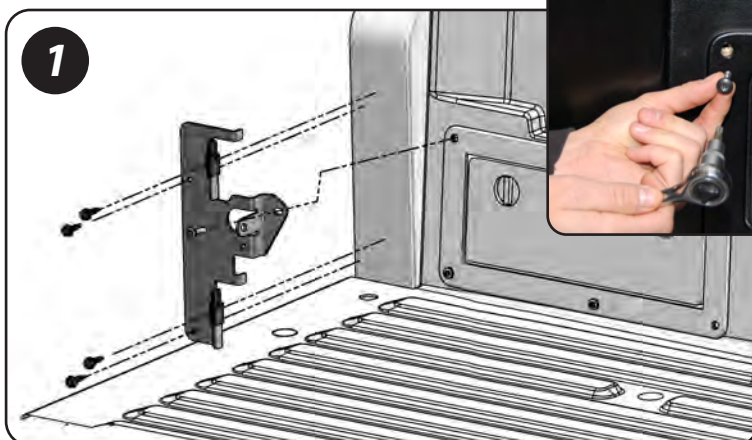
Installation Guide

SC401D - Drivers Side Toyota Tacoma 2005-Current



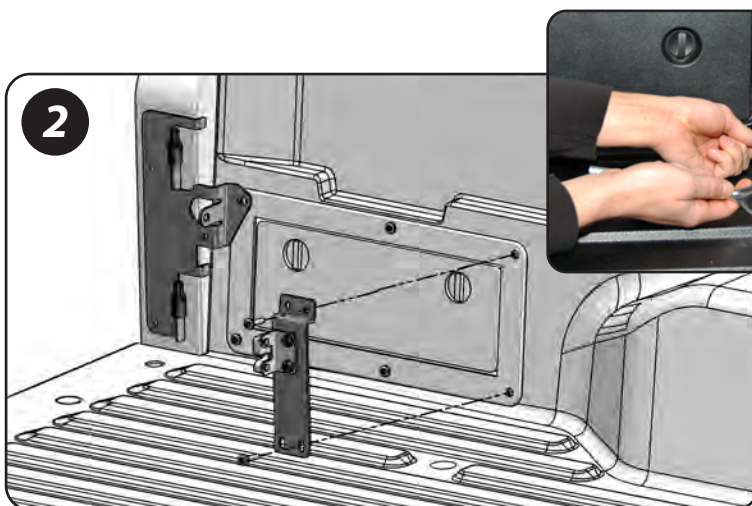
Hardware Included

1. Truck Bracket
2. Self Drilling Screws (4)
3. Striker Bracket



1. TRUCK BRACKET INSTALLATION - Remove the upper bolt from the ring that attaches the factory tool box (T30 torx). Position the truck bracket into place and line up the hole in the truck bracket with the hole for the torx bolt. Reinstall the torx bolt, be sure the upper tab on the truck bracket is tight against the vertical bed support and tighten the bolt.

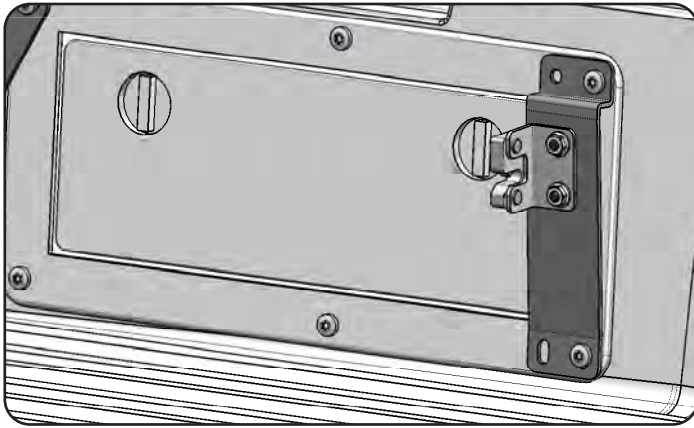
Finish attaching the bracket using the four(4) supplied self drilling screws. Be careful not to over tighten and strip out the screw holes.



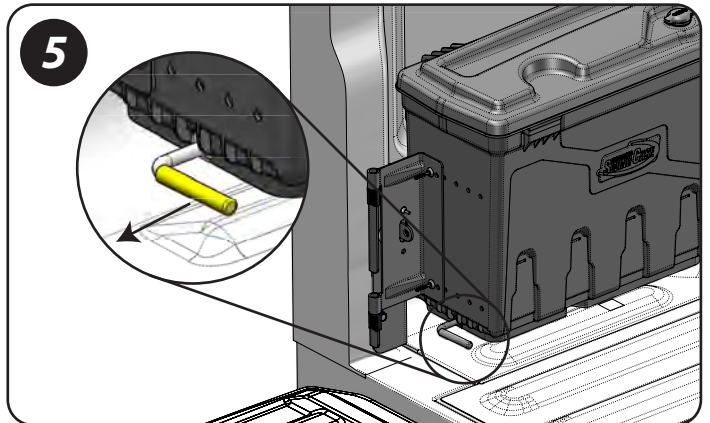
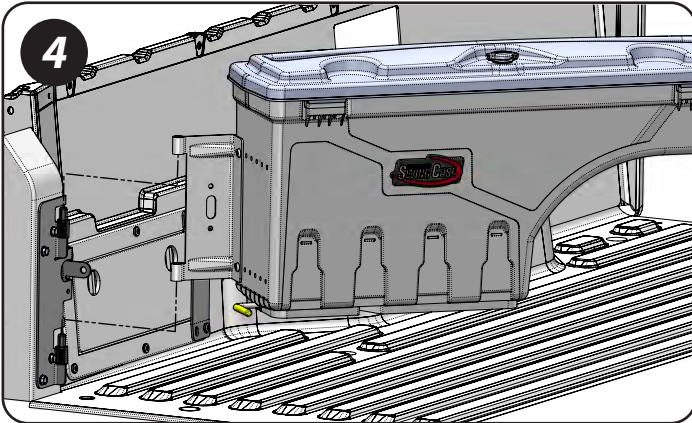
2. STRIKER BRACKET INSTALLATION - Remove the two rear bolts from the ring that attaches the factory tool box (T30 torx). Install the striker bracket using the factory torx bolts, use the two holes on the right side of the bracket.



Installation Guide - Continued



NOTE: This bracket will overlap the factory tool box lid, but it has been designed to allow you to still remove the lid with the SwingCase completely installed.

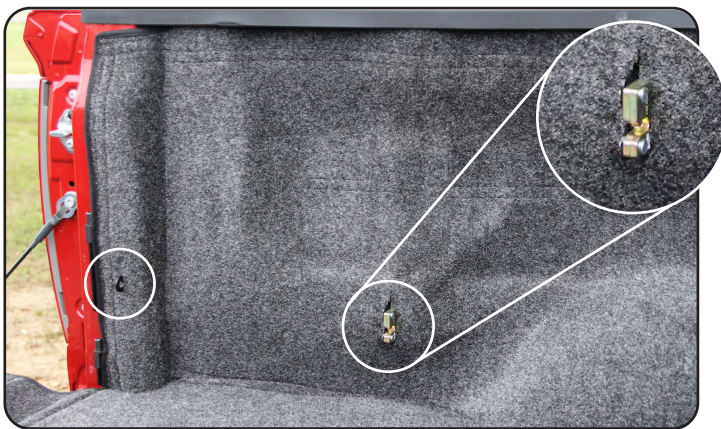


4. INSTALLING SWING CASE

Lower the box onto the hinge pins and gently push the box to the stowed position.

5. OPERATION AND ADJUSTMENT

Pull the latch rod and swing through the full motion making sure it operates freely and latches easily. Do not slam the box to stow it, if it will not latch easily it may be necessary to make some minor adjustments. The latch has slotted holes, just loosen the two bolts and adjust as needed. Be sure to blow or sweep the metal shavings out of the truck bed.



• FOR TRUCKS WITH BED RUGS

For trucks with Bed Rugs it will be necessary to cut slots in the material. WE DO NOT RECOMMENDED TO INSTALL THE BRACKETS ON TOP OF THE BED RUG. Most of the brackets will fit under the bed rug, pull the Bed Rug loose from the corner, remove any hook and loop strips that may be in the way of the brackets, and install the brackets per instructions in Steps 1 through 5. Push the rug around the latch bracket and cut a slot to allow it to stick through. Push the rug around the pad lock piece and cut a slot to allow it to stick through. It may be necessary to remove the rubber bumper from the bracket assembly. You will need to re-attach the Bed Rug to the truck bracket at the light well using the existing hook and loop strips.