



TYGER[®]

TAIL LIGHT GUARD

TG-TG7J83338

BEFORE INSTALLATION

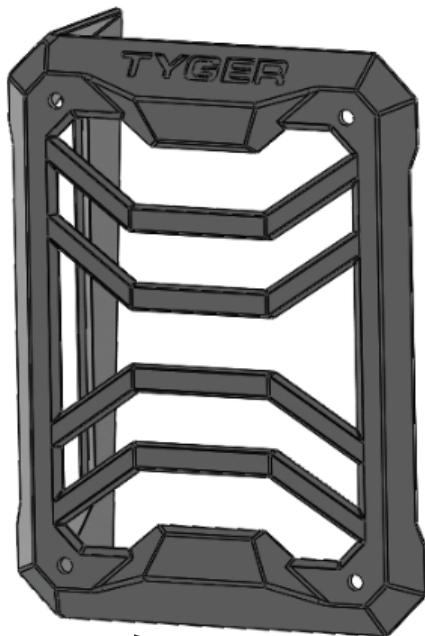
READ INSTRUCTIONS CAREFULLY BEFORE STARTING INSTALLATION. REMOVE CONTENTS FROM BOX AND VERIFY ALL PARTS ARE PRESENT. FAILURE TO IDENTIFY DAMAGE BEFORE INSTALLATION COULD LEAD TO A REJECTION OF ANY CLAIM. IF MISSING PARTS OR ANY DAMAGE FOUND, PLEASE TAKE A PICTURE FOR THE CLAIM PURPOSE.

TORQUE VALUES

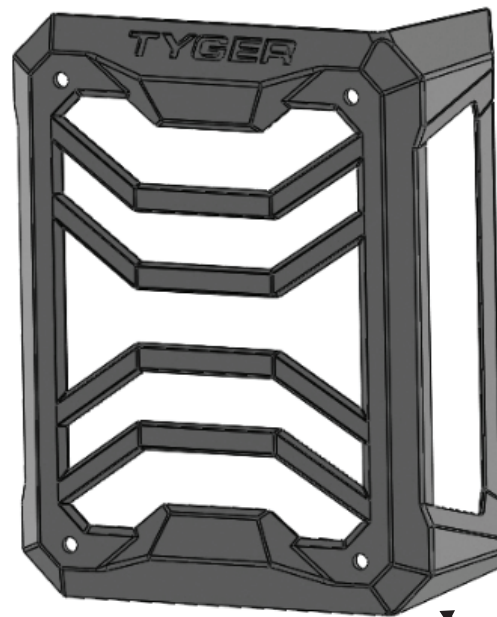
Fastener Size	Class 8.8 Torque (ft-lbs)	Class 10.9 Torque (ft-lbs)
6mm	6-7	6-7
8mm	15-16	22-23
10mm	31-32	44-45
12mm	54-55	78-79
14mm	87-88	125-126

Parts List

- x1 Driver/Left Tail Light Guard
- x1 Passenger/Right Tail Light Guard
- x8 Rubber Spacers
- x4 Pan Head ST 5mm x 50mm (Large) Screws
- x4 Pan Head ST 4mm x 45mm (Small) Screws



Driver/Left Tail light Guard



Passenger/Right Tail light Guard

 (8) Rubber Spacers



TYGER®

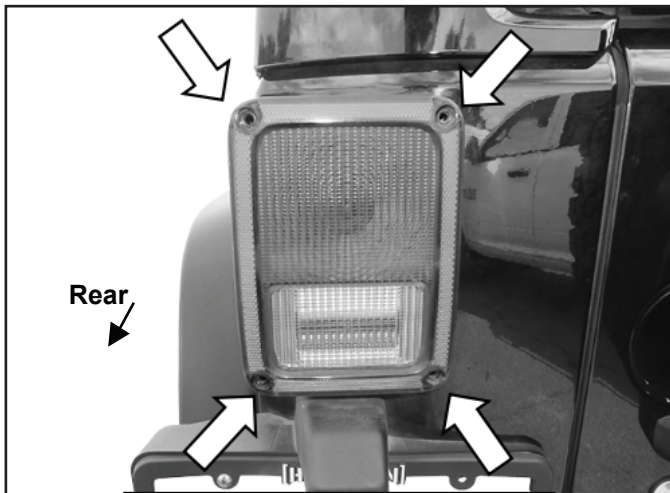
PROCEDURE:

REMOVE CONTENTS FROM BOX. VERIFY ALL PARTS ARE PRESENT. READ INSTRUCTIONS CAREFULLY BEFORE STARTING INSTALLATION.

STEP 1

Start installation at the Driver/Left rear tail light. Locate the (4) mounting holes and unscrew the factory screws, (Fig 1).

NOTE: Be careful as the two inner screws attach the complete tail light assembly to the vehicle. Pay attention to the size of the factory screws and their location.



(Fig 1) Mounting holes are located at the corners of the rear lights

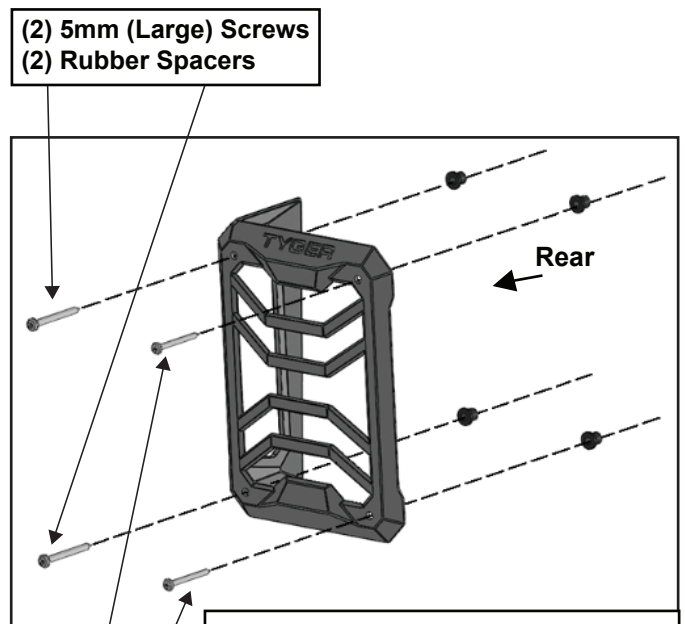
STEP 2

Select (4) Rubber Spacers. Insert the spacers into the (4) mounting holes in the tail light.

STEP 3

Select the Driver/Left Tail Light Guard. Attach the Guard to the outer side of the light with (2) 5mm x 50mm (Large) Screws, (Fig 2).

IMPORTANT: The factory mounting holes and screws are two different sizes. Pay close attention to the size of the factory screws and their location. Use the correct size replacement screw to avoid damage to the tail light housing.



(2) 5mm (Large) Screws
(2) Rubber Spacers

(Fig 2) Attach the Driver/Left Tail Light Guard to the rear light. (NOTE: The outer screws will be slightly larger than the inner screws)

(2) 4mm (Small) Screws
(2) Rubber Spacers



TYGER®

STEP 4

Attach the Guard to the inner side of the light with (2) 4mm x 45mm (Small) Screws, (Fig 2).

STEP 5

Level and adjust Tail Light Guard and tighten all hardware.



STEP 5

Repeat **STEPS 1—5** to attach the Passenger/Right Tail Light Guard.

STEP 6

Do periodic inspections to the installation to make sure that all hardware is secure and tight.

When it comes to quality grille guards and bull bars, Tyger is the brand you can depend on.