



TYGER RIDER®

TG-SS2T35248

BEFORE INSTALLATION

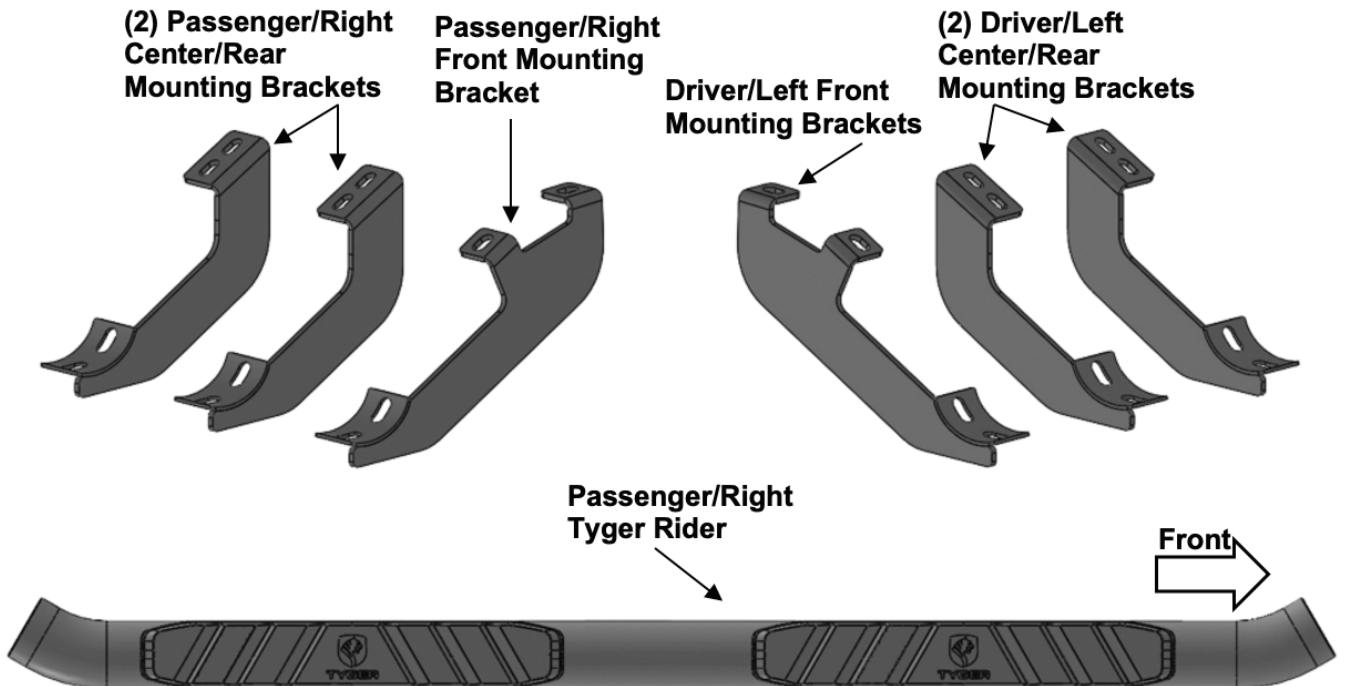
READ INSTRUCTIONS CAREFULLY BEFORE STARTING INSTALLATION. REMOVE CONTENTS FROM BOX AND VERIFY ALL PARTS ARE PRESENT. FAILURE TO IDENTIFY DAMAGE BEFORE INSTALLATION COULD LEAD TO A REJECTION OF ANY CLAIM. IF MISSING PARTS OR ANY DAMAGE FOUND, PLEASE TAKE A PICTURE FOR THE CLAIM PURPOSE.

TORQUE VALUES

Fastener Size	Class 8.8 Torque (ft-lbs)	Class 10.9 Torque (ft-lbs)
6mm	6-7	6-7
8mm	15-16	22-23
10mm	31-32	44-45
12mm	54-55	78-79
14mm	87-88	125-126

Parts List

- x1 Driver/Left Tyger Rider
- x1 Passenger/Right Tyger Rider
- x1 Driver/Left Front Mounting Bracket
- x1 Passenger/Right Front Mounting Bracket
- x2 Driver/Left Center Mounting Bracket
- x2 Passenger/Right Center Mounting Bracket
- x12 8-1.25mm x 30mm Hex Bolts
- x12 8-1.25mm x 25mm Combo Hex Bolts
- x12 8mm Lock Washers
- x12 8mm x 24mm OD x 2mm Flat Washers





STEP 1

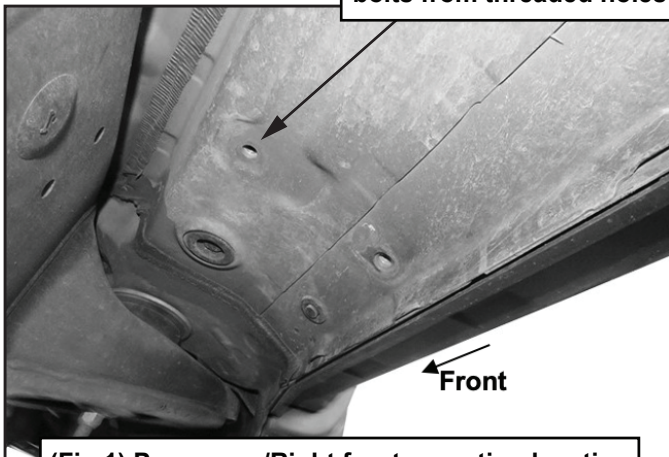
REMOVE CONTENTS FROM BOX. VERIFY ALL PARTS ARE PRESENT. READ INSTRUCTIONS CAREFULLY. ASSISTANCE IS HIGHLY RECOMMENDED.

STEP 2

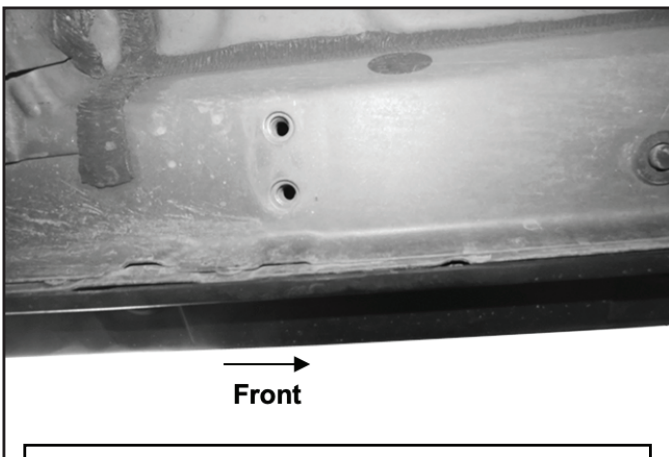
Starting on the Passenger/Right side of the vehicle, remove the plastic plugs or hex bolts from the factory mounting location along the bottom of the body (Figs 1, 2 & 3).

Passenger/Right Side Installation Pictured

Remove plastic plugs (if equipped) or hex bolts from threaded holes



(Fig 1) Passenger/Right front mounting location



(Fig 2) Passenger/Right center mounting location



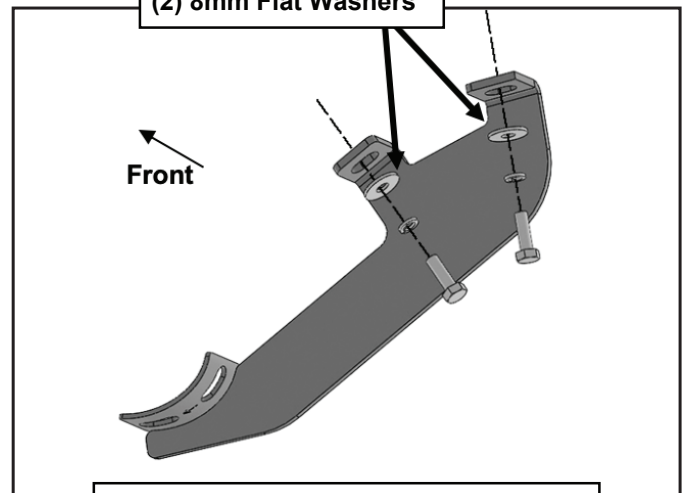
(Fig 3) Passenger/Right rear mounting location

STEP 3

Select the Passenger/Right Front Mounting Bracket. Attach the Bracket to the front mounting location with (2) 8mm Hex Bolts, (2) 8mm Lock Washers and (2) 8mm Flat Washers (Figs 1 & 4). DO NOT tighten hardware at this time.

Passenger/Right Side Installation Pictured

(2) 8mm Hex Bolts
(2) 8mm Lock Washers
(2) 8mm Flat Washers



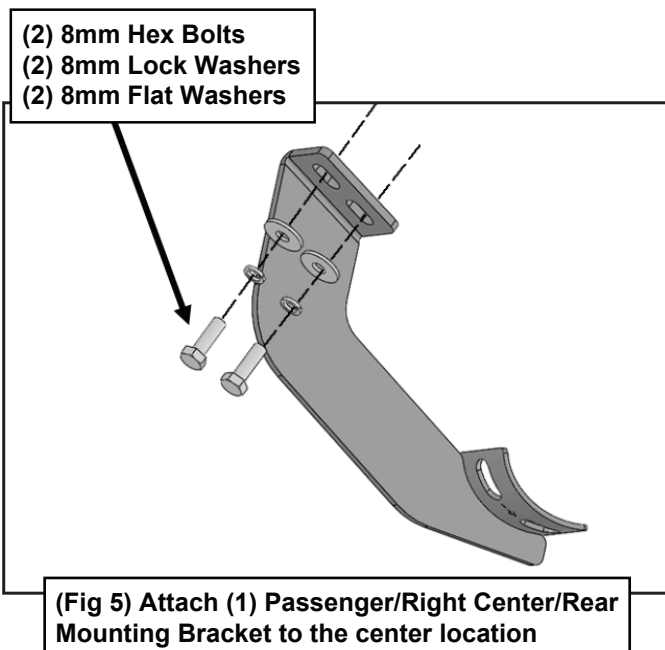
(Fig 4) Attach the Passenger/Right Front Mounting Bracket to the front location



STEP 4

Select (1) Passenger/Right Center/Rear Mounting Bracket. Attach the Bracket to the center location with (2) 8mm Hex Bolts, (2) 8mm Lock Washers and (2) 8mm Flat Washers (Figs 2 & 5). DO NOT tighten hardware at this time.

Passenger/Right Side Installation Pictured



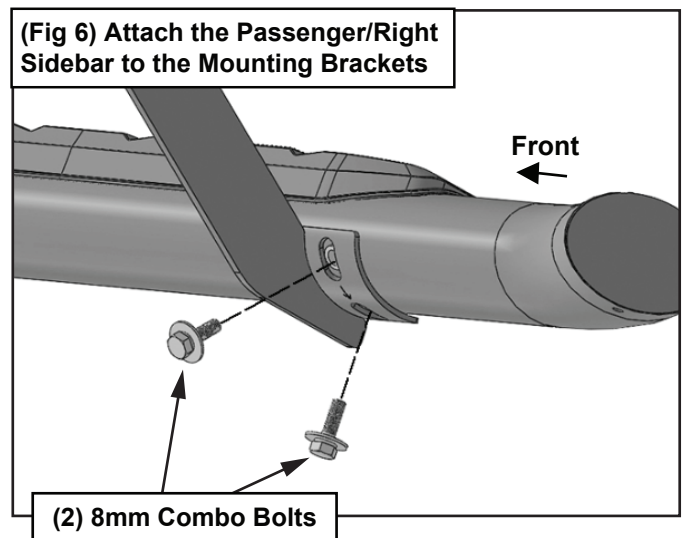
STEP 5

Repeat **STEP 4** to attach the remaining (1) Passenger/Right Center/Rear Mounting Bracket to the rear location (Fig 5).

STEP 6

Select the Passenger/Right Tyger Rider. Carefully place Sidebar on the brackets.

IMPORTANT: DO NOT slide or rotate Sidebar on cradles, or damage to the finish may result. Attach Sidebar to the Mounting Brackets Rider with (6) 8mm Combo Bolts (Fig 6). DO NOT tighten hardware at this time.



STEP 7

Level and adjust the Sidebar and tighten all hardware.

STEP 8

Repeat **STEPS 2-7** to attach the Driver/Left Tyger Rider.

STEP 9

Do periodic inspections to the installation to make sure that all hardware is secure and tight.