



TYGER®

TYGER RIDER®

TG-SS2T35188

BEFORE INSTALLATION

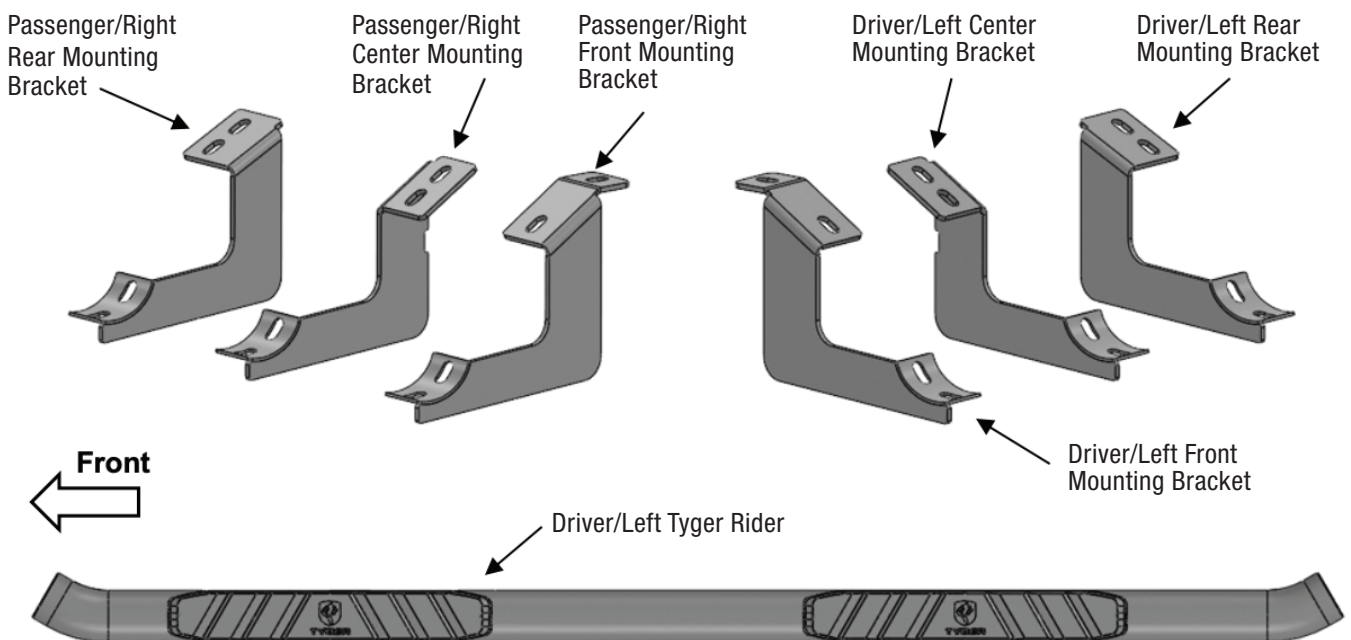
READ INSTRUCTIONS CAREFULLY BEFORE STARTING INSTALLATION. REMOVE CONTENTS FROM BOX AND VERIFY ALL PARTS ARE PRESENT. FAILURE TO IDENTIFY DAMAGE BEFORE INSTALLATION COULD LEAD TO A REJECTION OF ANY CLAIM. IF MISSING PARTS OR ANY DAMAGE FOUND, PLEASE TAKE A PICTURE FOR THE CLAIM PURPOSE.

TORQUE VALUES

Fastener Size	Class 8.8 Torque (ft-lbs)	Class 10.9 Torque (ft-lbs)
6mm	6-7	6-7
8mm	15-16	22-23
10mm	31-32	44-45
12mm	54-55	78-79
14mm	87-88	125-126

Parts List

- x1 Driver/Left Tyger Rider
- x1 Passenger/Right Tyger Rider
- x1 Driver/Left Front Mounting Bracket
- x1 Passenger/Right Front Mounting Bracket
- x1 Driver/Left Center Mounting Bracket
- x1 Passenger/Right Center Mounting Bracket
- x1 Driver/Left Rear Mounting Bracket
- x1 Passenger/Right Rear Mounting Bracket
- x12 8-1.25mm x 30mm Hex Bolts
- x12 8-1.25mm x 25mm Combo Hex Bolts
- x12 8mm Lock Washers
- x12 8mm x 24mm OD x 2mm Flat Washers



V201030



STEP 1

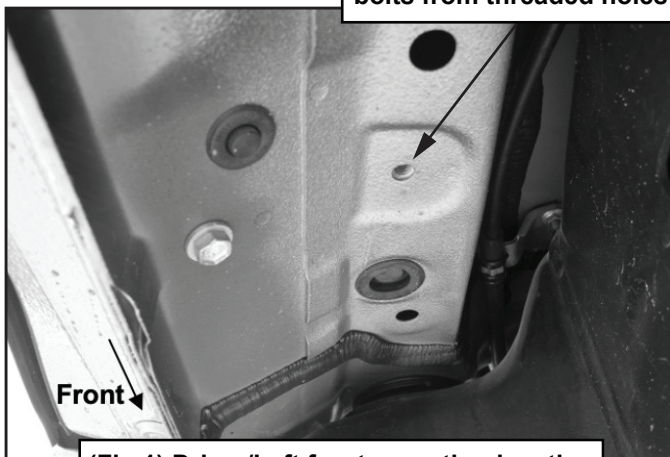
REMOVE CONTENTS FROM BOX. VERIFY ALL PARTS ARE PRESENT. READ INSTRUCTIONS CAREFULLY. ASSISTANCE IS HIGHLY RECOMMENDED.

STEP 2

Starting on the Driver/Left side of the vehicle and remove the plastic plugs or hex bolts from the factory mounting location along the bottom of the body (Figs 1 & 4).

Driver/Left Side Installation Pictured

Remove plastic plugs (if equipped) or hex bolts from threaded holes



(Fig 1) Driver/Left front mounting location



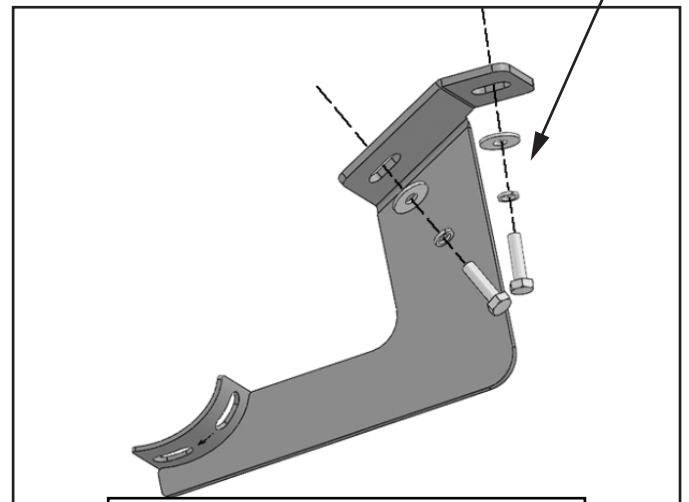
(Fig 4) Driver/Left center (2nd) location

STEP 3

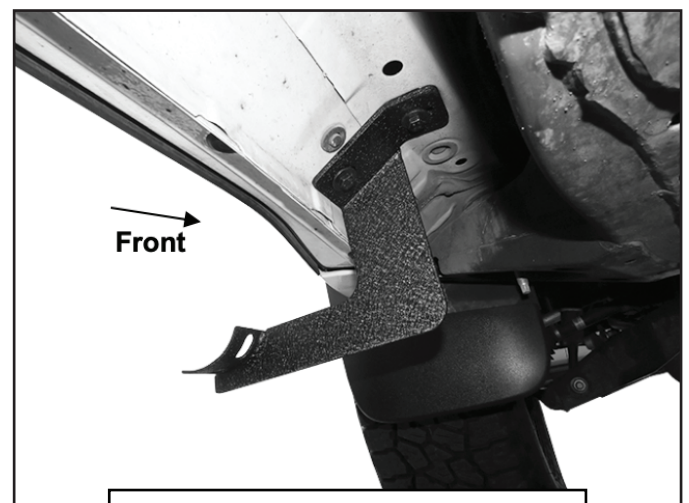
Select the Driver/Left Front Mounting Bracket. Attach the Bracket to the front location with (2) 8mm Hex Bolts, (2) 8mm Lock Washers and (2) 8mm Flat Washers (Figs 2 & 3). DO NOT tighten hardware at this time.

Driver/Left Side Installation Pictured

(2) 8mm Hex Bolts
(2) 8mm Lock Washers
(2) 8mm Flat Washers



(Fig 2) Attach the Driver/Left Front Mounting Bracket to the front location



(Fig 3) Driver/Left Front Mounting Bracket attached to the front location

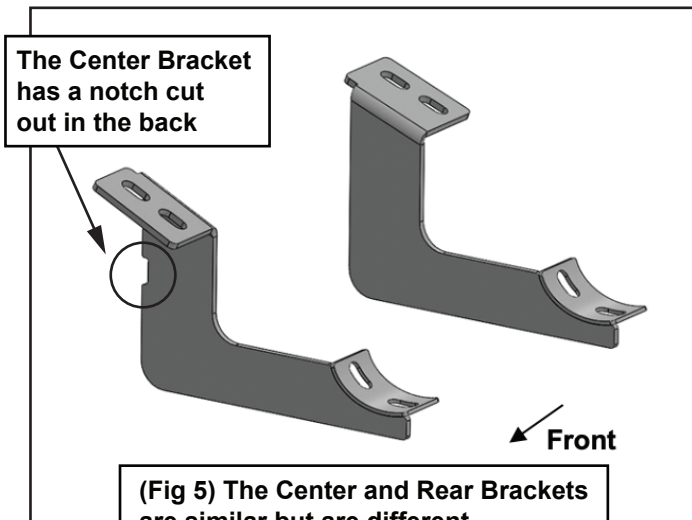


STEP 4

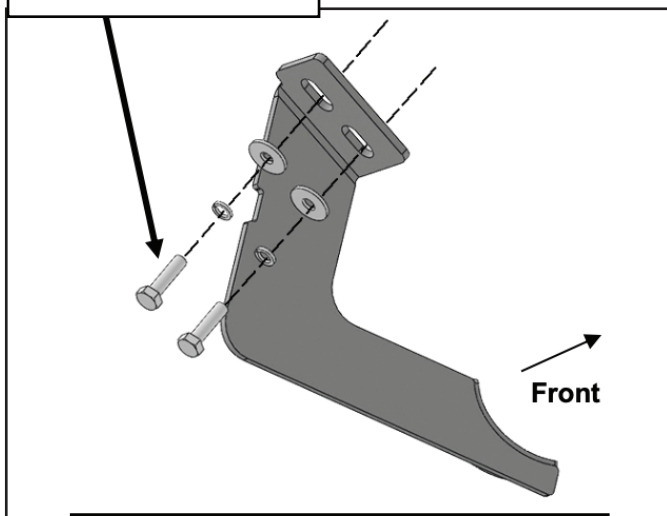
Repeat **STEPS 2 & 3** to attach the Center and Rear Mounting Brackets (Figs 4—6).

NOTE: The Center and Rear Mounting Brackets are similar but are unique. The Center Bracket has a notch in the back (Fig 5).

Driver/Left Side Installation Pictured



- (2) 8mm Hex Bolts
- (2) 8mm Lock Washers
- (2) 8mm Flat Washers

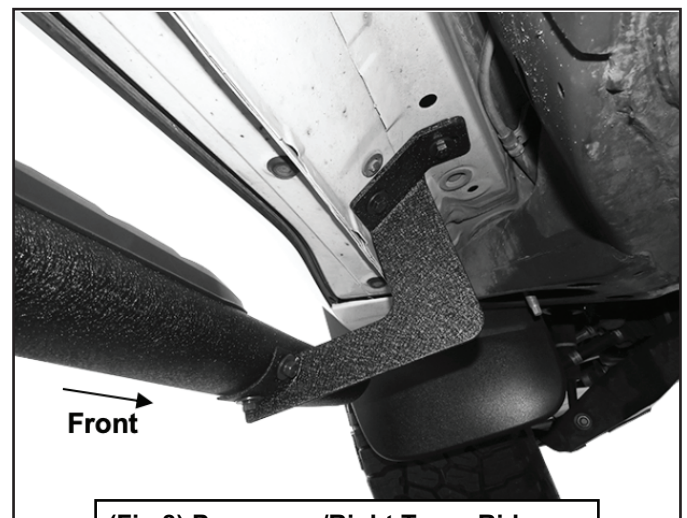
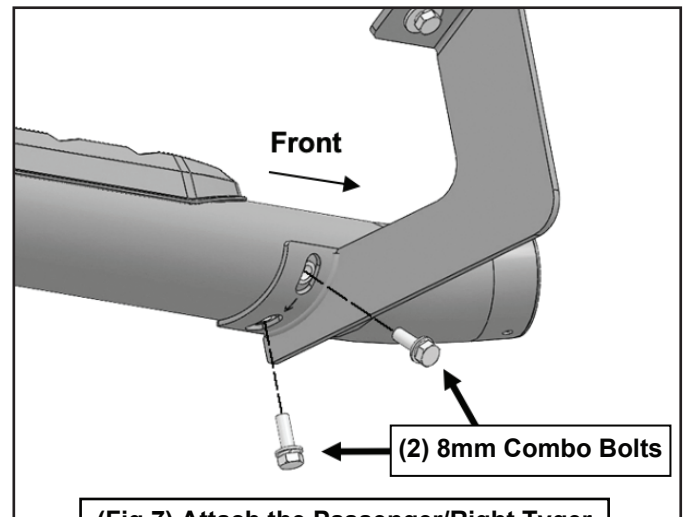


STEP 5

Select the Driver/Left Tyger Rider. Carefully place Sidebar on the brackets.

IMPORTANT: DO NOT slide or rotate Sidebar on cradles, or damage to the finish may result. Attach Sidebar to the Mounting Brackets with (6) 8mm Combo Bolts (Figs 7 & 8). DO NOT tighten hardware at this time.

Driver/Left Side Installation Pictured





TYGER[®]

STEP 6

Level and adjust the Sidebar and tighten all hardware.

STEP 7

Repeat **STEPS 1—6** to attach the Passenger/Right Tyger Rider.

STEP 8

Do periodic inspections to the installation to make sure that all hardware is secure and tight.