



TYGER®

TYGER RIDER®

TG-SS2N35208

BEFORE INSTALLATION

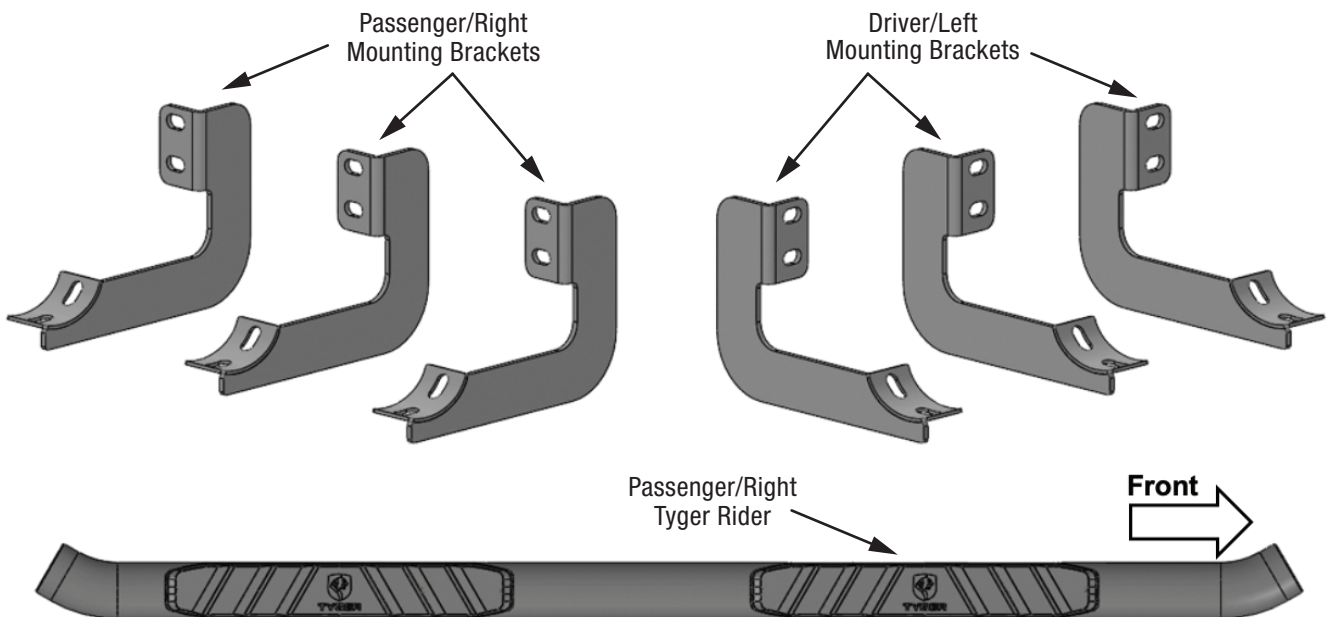
READ INSTRUCTIONS CAREFULLY BEFORE STARTING INSTALLATION. REMOVE CONTENTS FROM BOX AND VERIFY ALL PARTS ARE PRESENT. FAILURE TO IDENTIFY DAMAGE BEFORE INSTALLATION COULD LEAD TO A REJECTION OF ANY CLAIM. IF MISSING PARTS OR ANY DAMAGE FOUND, PLEASE TAKE A PICTURE FOR THE CLAIM PURPOSE.

TORQUE VALUES

Fastener Size	Class 8.8 Torque (ft-lbs)	Class 10.9 Torque (ft-lbs)
6mm	6-7	6-7
8mm	15-16	22-23
10mm	31-32	44-45
12mm	54-55	78-79
14mm	87-88	125-126

Parts List

- x1 Driver/Left Tyger Rider
- x1 Passenger/Right
- x3 Driver/Left Mounting Brackets
- x3 Passenger/Right Mounting Bracket
- x12 8-1.25mm x 25mm Combo Bolts
- x12 8mm x 24mm OD x 2mm Flat Washers
- x12 8mm Flange Nuts





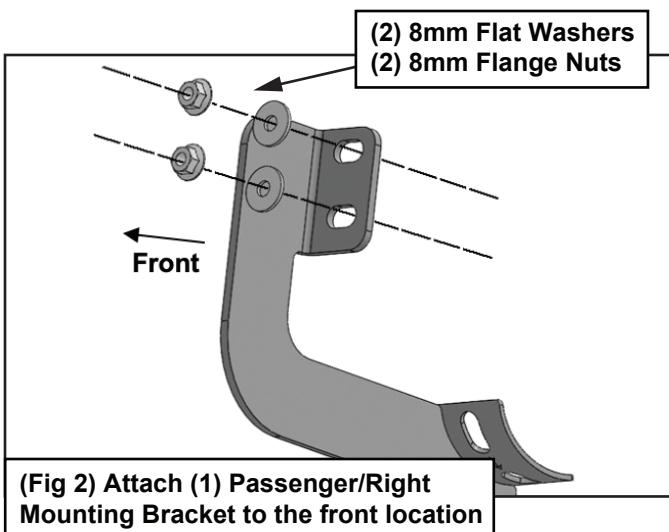
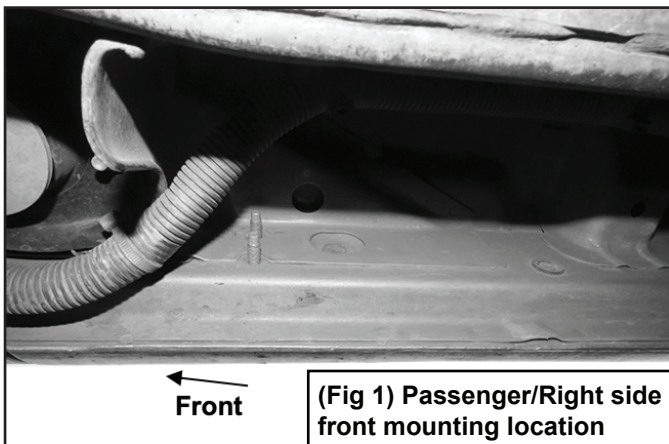
STEP 1

REMOVE CONTENTS FROM BOX. VERIFY ALL PARTS ARE PRESENT. READ INSTRUCTIONS CAREFULLY. CLEAN MOUNTING STUDS WITH WIRE BRUSH TO REMOVE PAINT AND DEBRIS.

STEP 2

Starting on the Passenger/Right side front of the vehicle (Fig1). Attach (1) Passenger/Right Mounting Bracket to the front location with (2) 8mm Flat Washers and (2) 8mm Flange Nuts (Fig 2). DO NOT tighten hardware at this time.

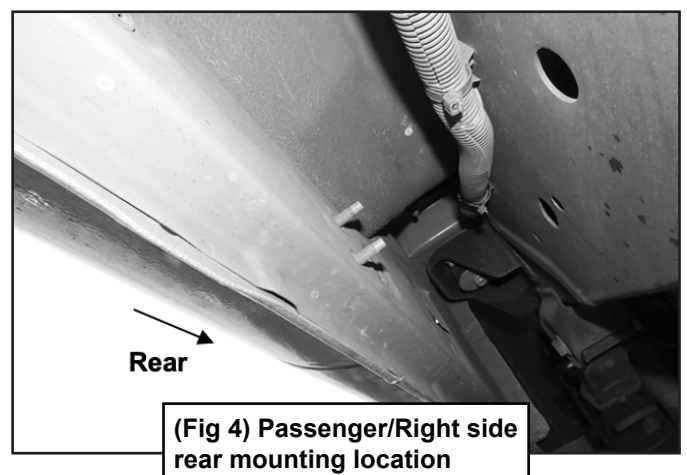
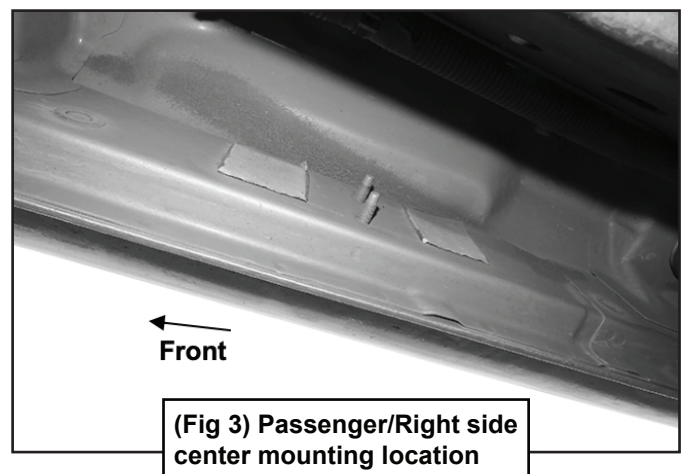
Passenger Side Installation Pictured



STEP 3

Repeat **STEP 2** to attach the remaining Passenger/Right Mounting Brackets to the center and rear locations (Figs 3 & 4).

Passenger Side Installation Pictured



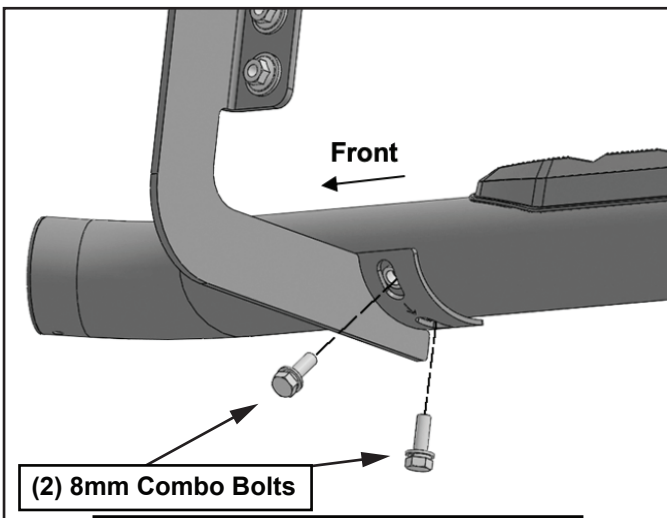


STEP 4

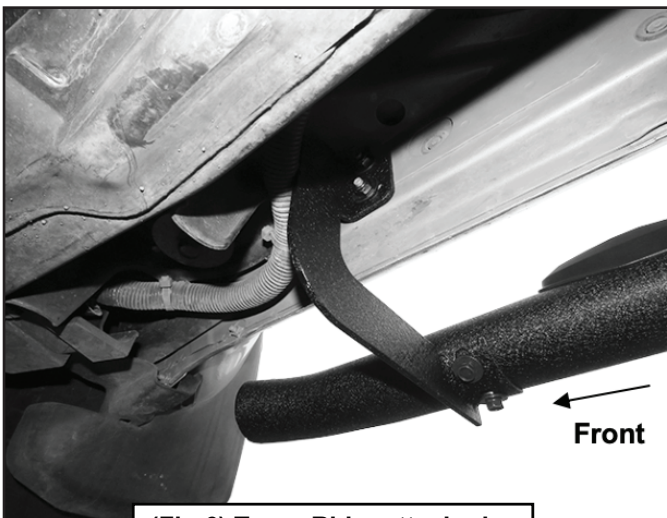
Select the Passenger/Right Tyger Rider. Carefully place Sidebar on the brackets.

IMPORTANT: DO NOT slide or rotate Sidebar on cradles, or damage to the finish may result. Attach Sidebar to the Mounting Brackets with (6) 8mm Combo Bolts (Figs 5 & 6). DO NOT tighten hardware at this time.

Passenger Side Installation Pictured



(Fig 5) Attach the Passenger/Right Tyger Rider to the Mounting Brackets



(Fig 6) Tyger Rider attached to the Front Mounting Bracket

STEP 5

Level and adjust the Sidebar and tighten all hardware.

STEP 6

Repeat **STEPS 1—5** to attach the Driver/Left Tyger Rider.

STEP 7

Do periodic inspections to the installation to make sure that all hardware is secure and tight.