



TYGER RIDER®

TG-SS2F35148

BEFORE INSTALLATION

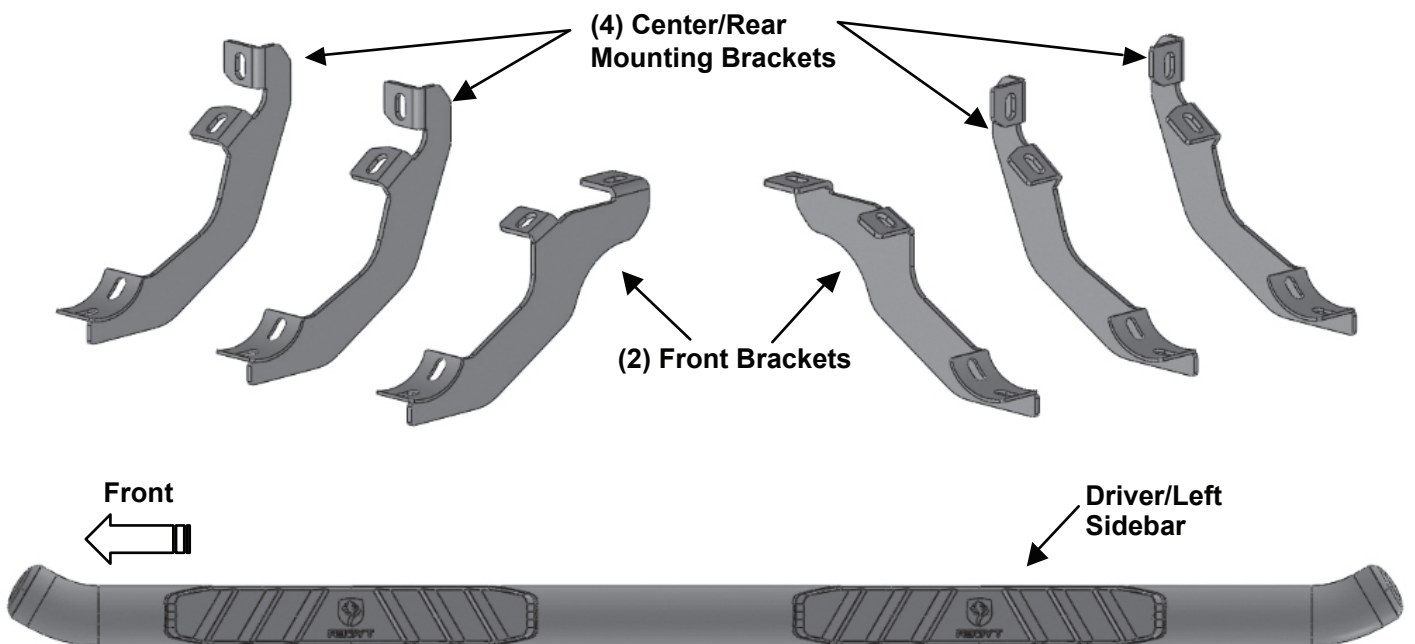
READ INSTRUCTIONS CAREFULLY BEFORE STARTING INSTALLATION. REMOVE CONTENTS FROM BOX AND VERIFY ALL PARTS ARE PRESENT. FAILURE TO IDENTIFY DAMAGE BEFORE INSTALLATION COULD LEAD TO A REJECTION OF ANY CLAIM. IF MISSING PARTS OR ANY DAMAGE FOUND, PLEASE TAKE A PICTURE FOR THE CLAIM PURPOSE.

TORQUE VALUES

Fastener Size	Class 8.8 Torque (ft-lbs)	Class 10.9 Torque (ft-lbs)
6mm	6-7	6-7
8mm	15-16	22-23
10mm	31-32	44-45
12mm	54-55	78-79
14mm	87-88	125-126

Parts List

- x1 Driver/Left Sidebar
- x1 Passenger/Right Sidebar
- x2 Front Mounting Brackets
- x4 Center/Rear Mounting Brackets
- x12 10-1.5mm x 25mm Hex Bolts
- x12 10mm Lock Washers
- x12 10mm x 27mm x 3mm Flat Washers
- x12 8-1.25mm x 25mm Combo Bolts



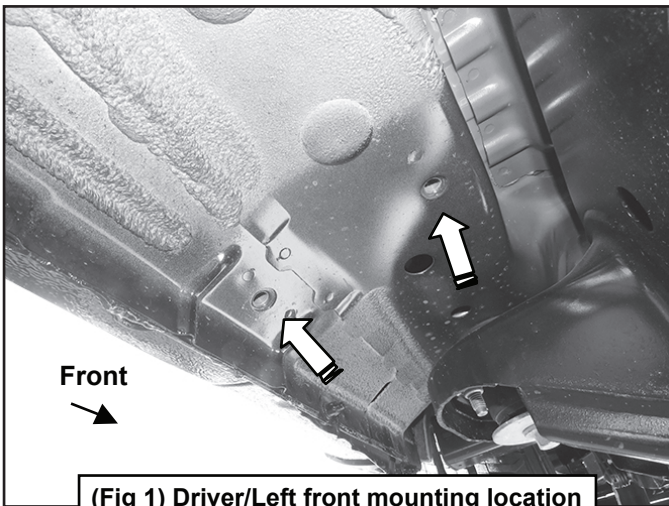


STEP 1

REMOVE CONTENTS FROM BOX. VERIFY ALL PARTS ARE PRESENT. READ INSTRUCTIONS CAREFULLY BEFORE STARTING INSTALLATION.

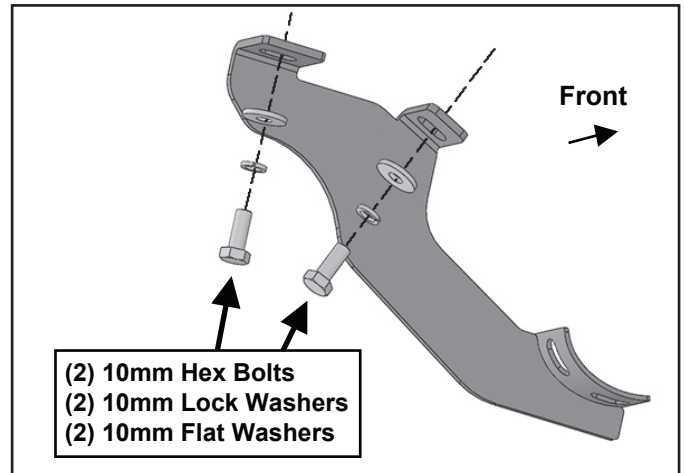
STEP 2

Starting on the Driver/Left side inner rocker panel, locate the threaded mounting holes in the rocker panel, (Fig 1). Remove the plastic plugs covering the mounting holes.

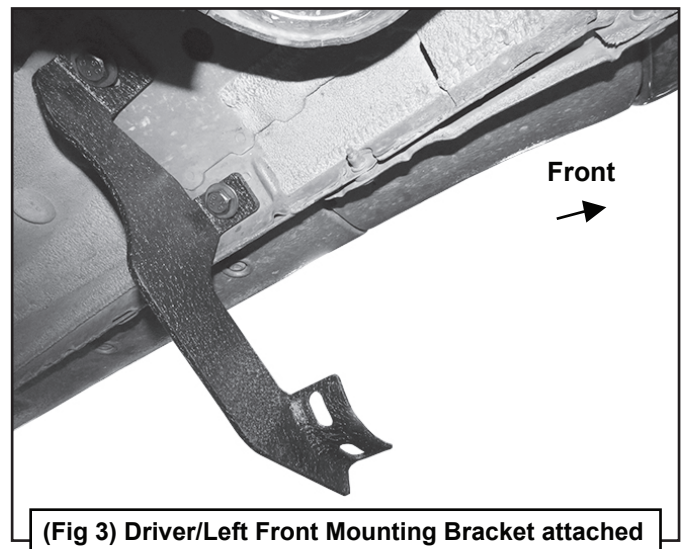


STEP 3

Select (1) Front Mounting Bracket. Attach the Bracket to the Driver/Left front location with (2) 10mm Hex Bolts, (2) 10mm Lock Washers and (2) 10mm Flat Washers (Figs 2-3). Do not tighten hardware at this time.

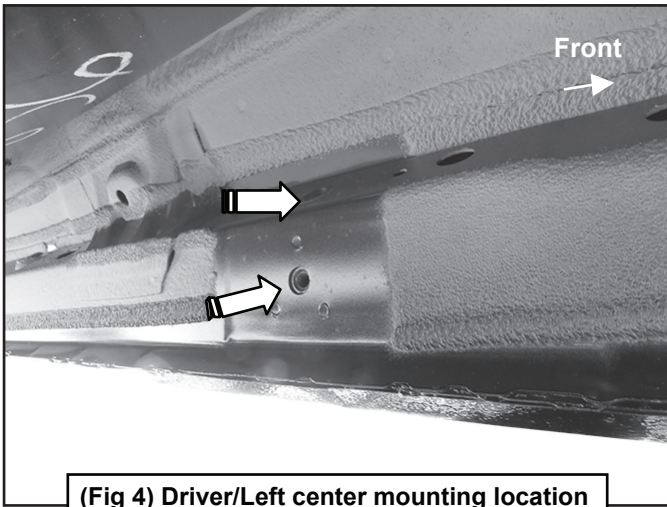


(Fig 2) Attach the Driver/Left Front Mounting Bracket to the front rocker panel location

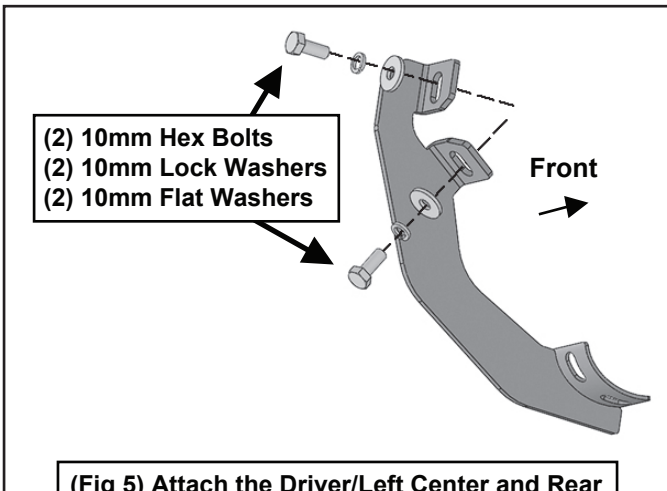


STEP 4

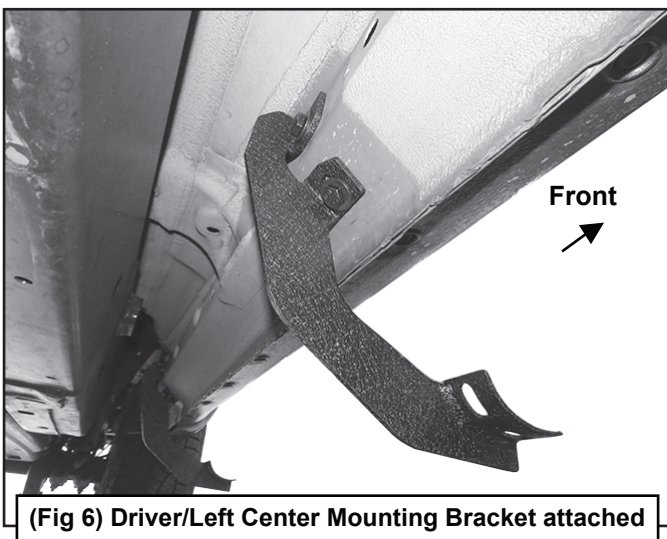
Locate the Center threaded mounting holes. Select (1) Center/Rear Mounting Bracket. Attach with (2) 10mm Hex Bolts, (2) 10mm Lock Washers and (2) 10mm Flat Washers, (Figs 4-6). Do not tighten hardware at this time.



(Fig 4) Driver/Left center mounting location



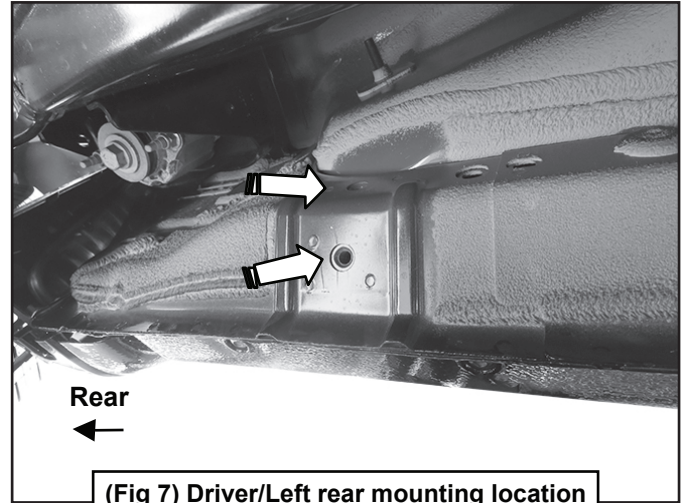
(Fig 5) Attach the Driver/Left Center and Rear mounting Brackets to the rocker panel



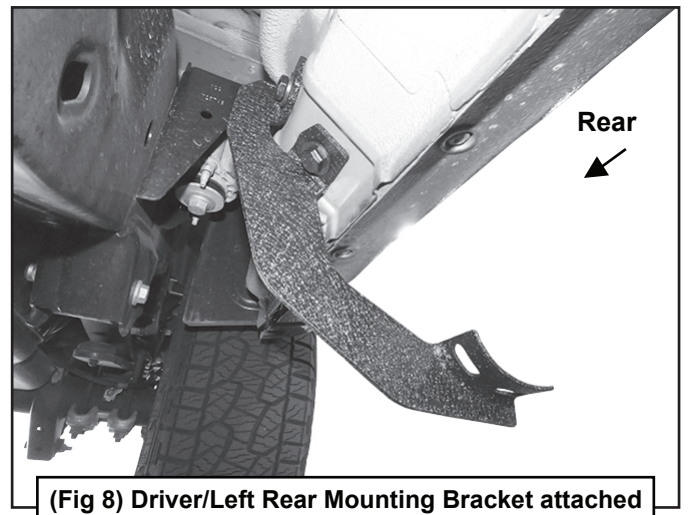
(Fig 6) Driver/Left Center Mounting Bracket attached

STEP 5

Repeat Step 3 to attach (1) Center/Rear Mounting Bracket to the rear location, (Figs 5, 7-8).



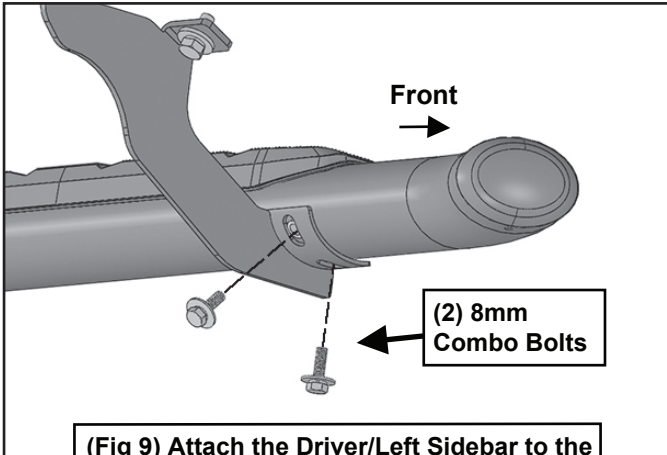
(Fig 7) Driver/Left rear mounting location



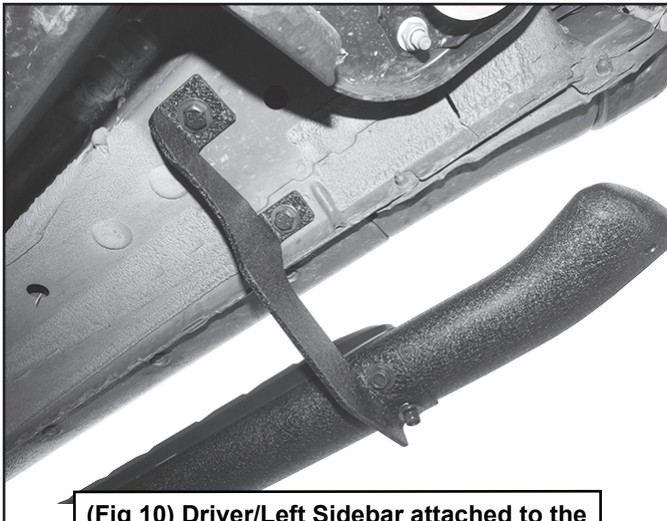
(Fig 8) Driver/Left Rear Mounting Bracket attached

STEP 6

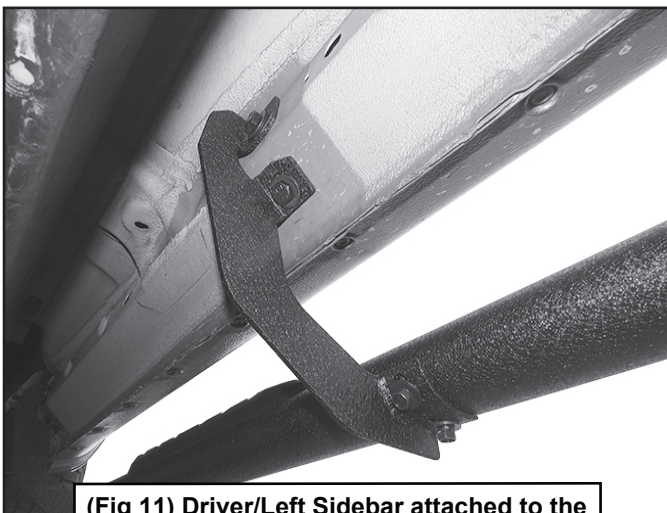
Unwrap the Driver/Left Sidebar. Carefully place Sidebar on the brackets. **IMPORTANT:** Do not slide or rotate Sidebar on cradles, or damage to the finish may result. Attach Sidebar to the Mounting Brackets with (6) 8mm Combo Bolts. Do not tighten hardware at this time, (Figs 9-12).



(Fig 9) Attach the Driver/Left Sidebar to the Mounting Brackets



(Fig 10) Driver/Left Sidebar attached to the Front Mounting Bracket



(Fig 11) Driver/Left Sidebar attached to the Center Mounting Bracket



(Fig 12) Driver/Left Sidebar attached to the Rear Mounting Bracket

STEP 7

Level and adjust Sidebar and tighten all hardware.

STEP 8

Repeat Steps 2-7 to attach the Passenger/Right Sidebar.

STEP 9

Do periodic inspections to the installation to make sure that all hardware is secure and tight.