



STEP BARS

TG-SS2D35128

BEFORE INSTALLATION

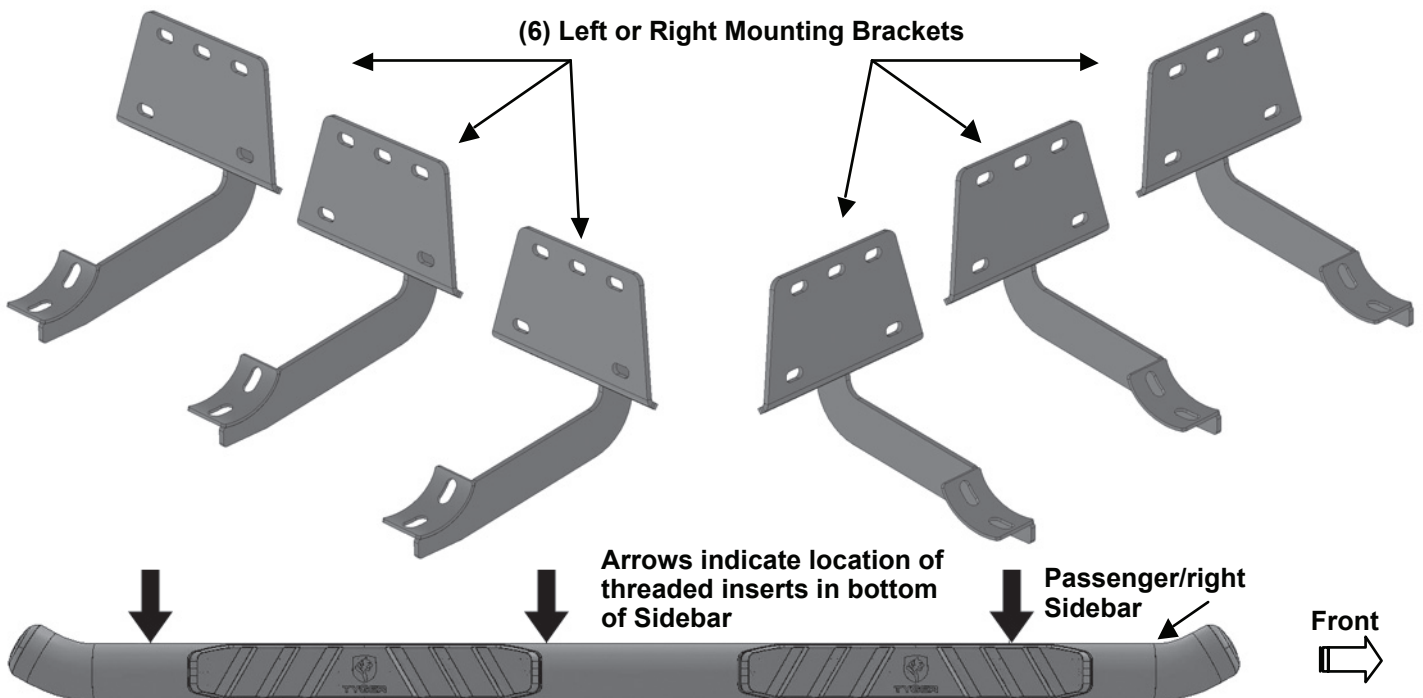
READ INSTRUCTIONS CAREFULLY BEFORE STARTING INSTALLATION. REMOVE CONTENTS FROM BOX AND VERIFY ALL PARTS ARE PRESENT. FAILURE TO IDENTIFY DAMAGE BEFORE INSTALLATION COULD LEAD TO A REJECTION OF ANY CLAIM. IF MISSING PARTS OR ANY DAMAGE FOUND, PLEASE TAKE A PICTURE FOR THE CLAIM PURPOSE.

TORQUE VALUES

Fastener Size	Class 8.8 Torque (ft-lbs)	Class 10.9 Torque (ft-lbs)
6mm	6-7	6-7
8mm	15-16	22-23
10mm	31-32	44-45
12mm	54-55	78-79
14mm	87-88	125-126

Parts List

- x1 Driver/left Sidebar
- x1 Passenger/right Sidebar
- x6 Mounting Brackets (use left or right)
- x12 8-1.25mm x 25mm Combo Bolts
- x18 8mm x 24mm x 2mm Flat Washers
- x18 8-1.25mm Nylon Lock Nuts



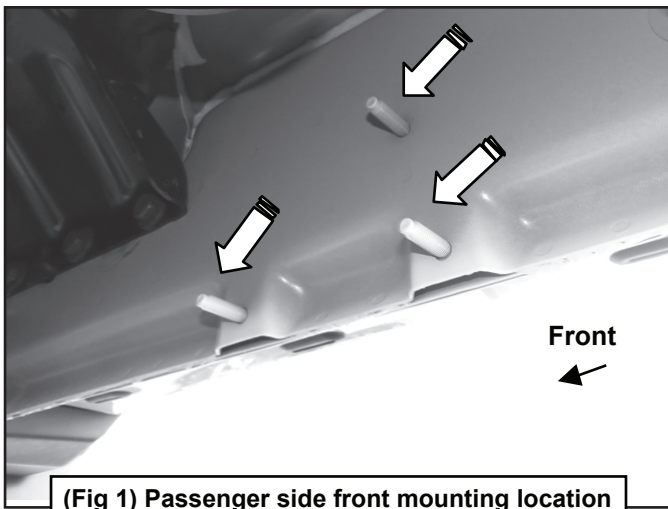


NOTE: REMOVE CONTENTS FROM BOX. VERIFY ALL PARTS ARE PRESENT. READ INSTRUCTIONS CAREFULLY BEFORE STARTING INSTALLATION. ASSISTANCE IS RECOMMENDED.

STEP 1

Start the installation under the passenger side of the vehicle. Locate the front (3) factory studs along the inner sidewall of the body panel, (Fig 1).

NOTE: Use a wire brush or thread die to remove paint buildup on the threaded studs.

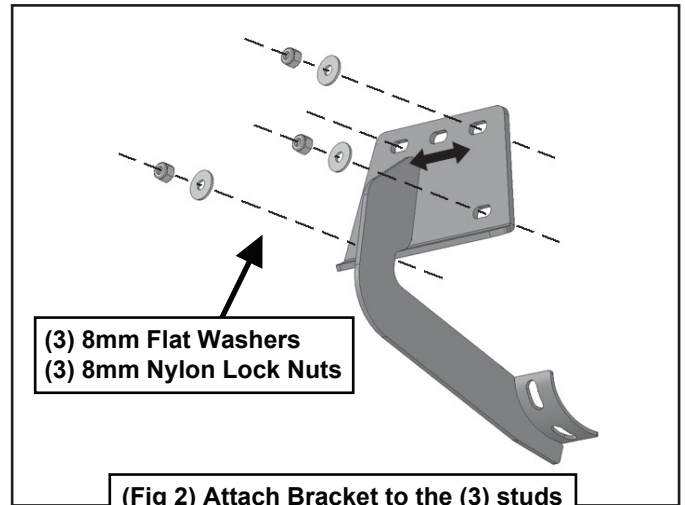


(Fig 1) Passenger side front mounting location

STEP 2

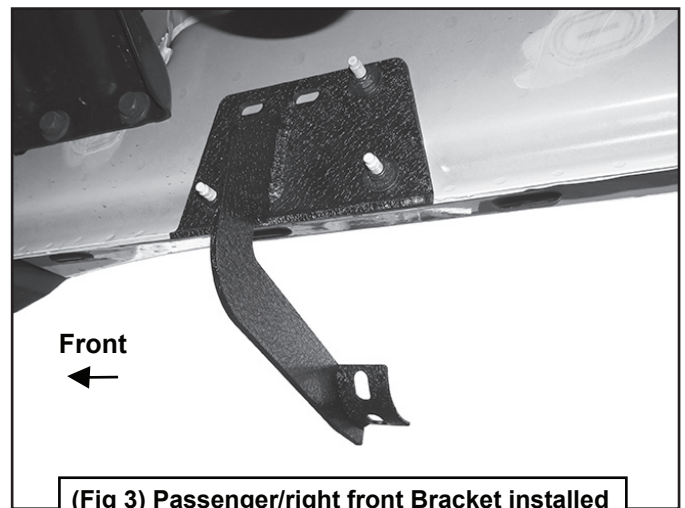
Select (1) Mounting Bracket, (Fig 2).

NOTE: All (6) Brackets are universal and will fit left or right side. Attach the Mounting Bracket to the (3) factory studs with (3) 8mm Flat Washers and (3) 8mm Nylon Lock Nuts, (Figs 2-3). Leave bracket loose at this time.



(3) 8mm Flat Washers
(3) 8mm Nylon Lock Nuts

(Fig 2) Attach Bracket to the (3) studs



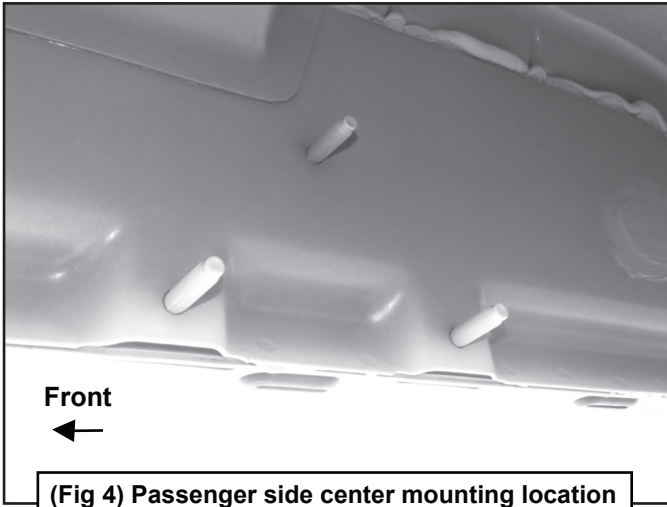
(Fig 3) Passenger/right front Bracket installed

STEP 3

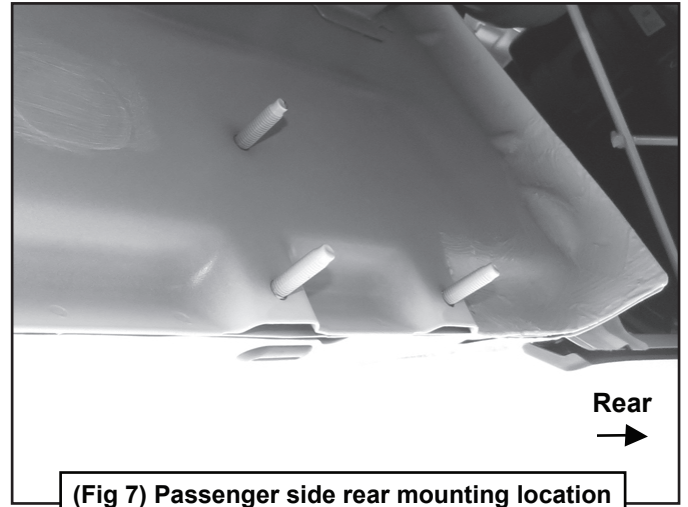
Repeat Steps 1-2 to install Mounting Brackets in the center and rear mounting locations along the body panel, (Figs 4-8).



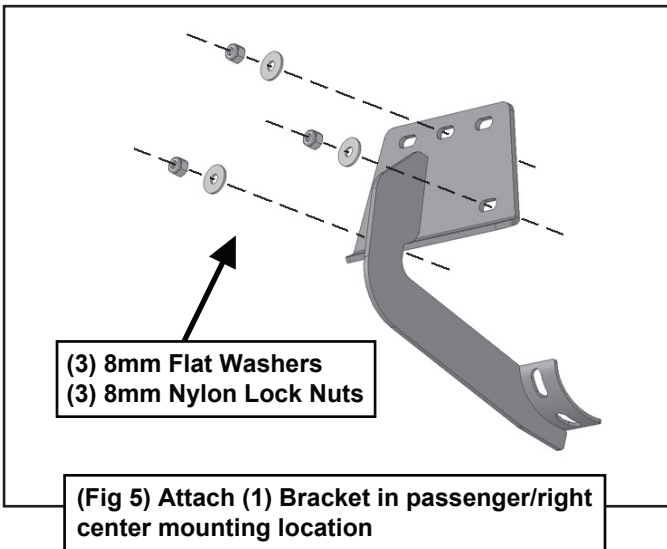
TYGER[®]



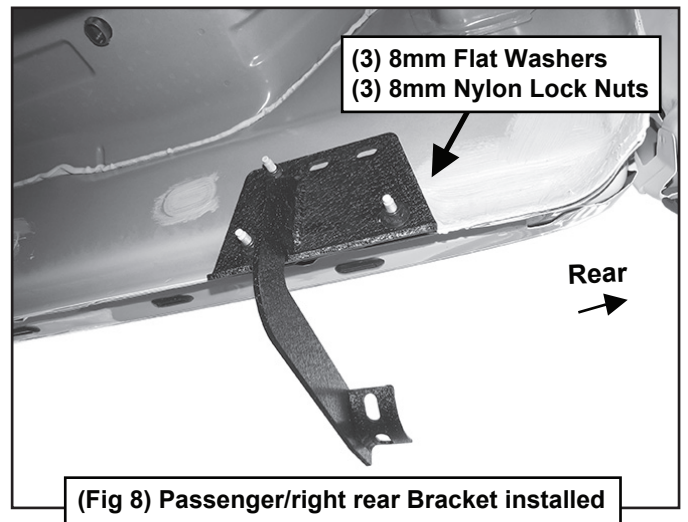
(Fig 4) Passenger side center mounting location



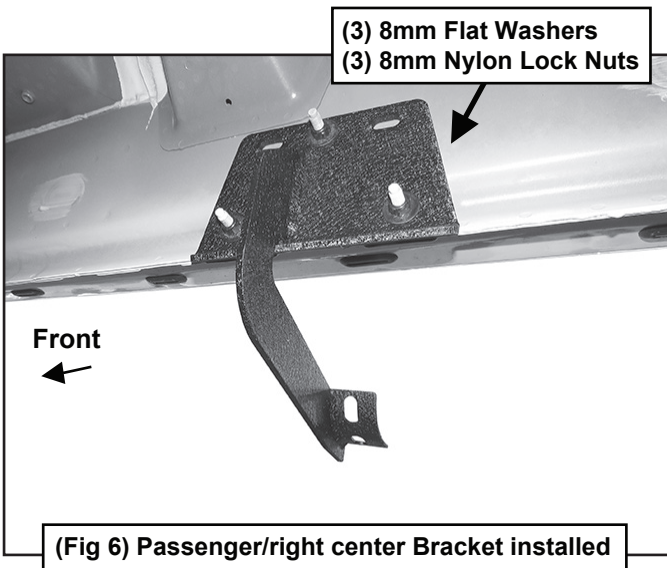
(Fig 7) Passenger side rear mounting location



(Fig 5) Attach (1) Bracket in passenger/right center mounting location



(Fig 8) Passenger/right rear Bracket installed



(Fig 6) Passenger/right center Bracket installed

STEP 4

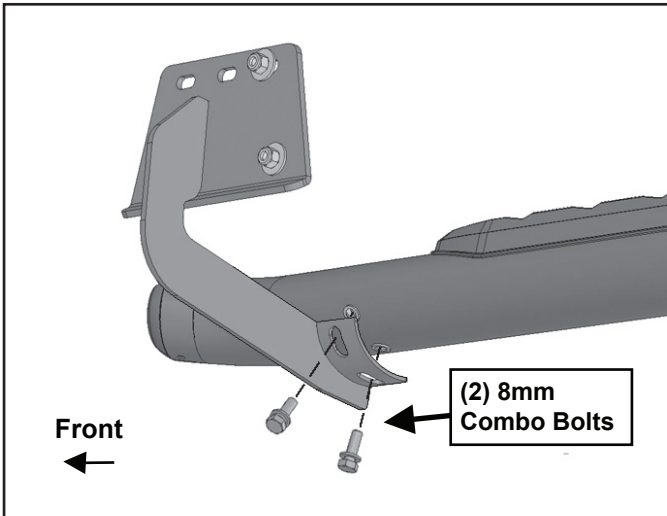
Carefully unwrap and select the Passenger/right Sidebar. Use the illustration above to help identify the correct Sidebar. Place the Sidebar on top of the Brackets.

IMPORTANT: Do not twist or slide, (front to back), the Sidebar on the Brackets or damage to the finish may result.

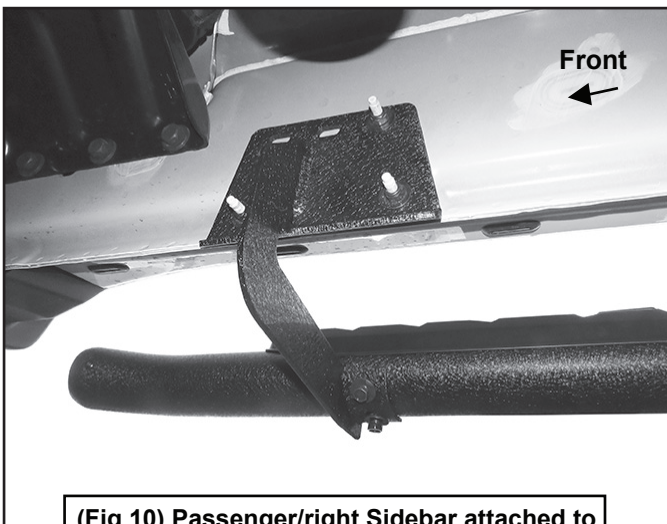


STEP 5

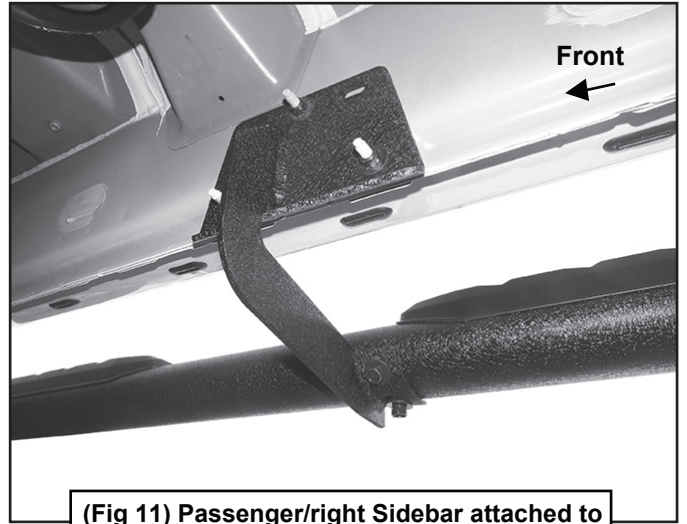
Attach the Sidebar to the (3) Brackets with (6) 8mm Combo Hex Bolts, (Figs 9-12). Do not tighten hardware at this time.



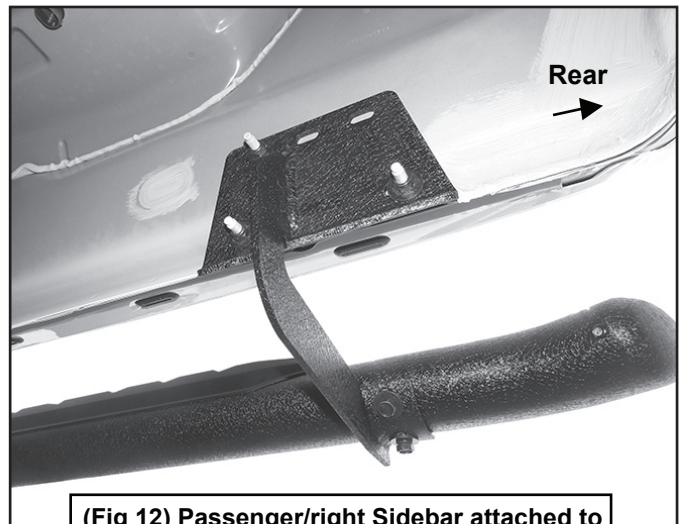
(Fig 9) Attach passenger/right Sidebar to front Bracket



(Fig 10) Passenger/right Sidebar attached to front Bracket



(Fig 11) Passenger/right Sidebar attached to center Bracket



(Fig 12) Passenger/right Sidebar attached to rear Bracket

STEP 6

Level and adjust the Sidebar as necessary and fully tighten all hardware.



TYGER[®]

STEP 7

Repeat Steps 1-6 for Driver/left Sidebar installation.

STEP 8

Do periodic inspections to the installation to make sure that all hardware is secure and tight.

