



TYGER RIDER®

TG-SS2C35068

BEFORE INSTALLATION

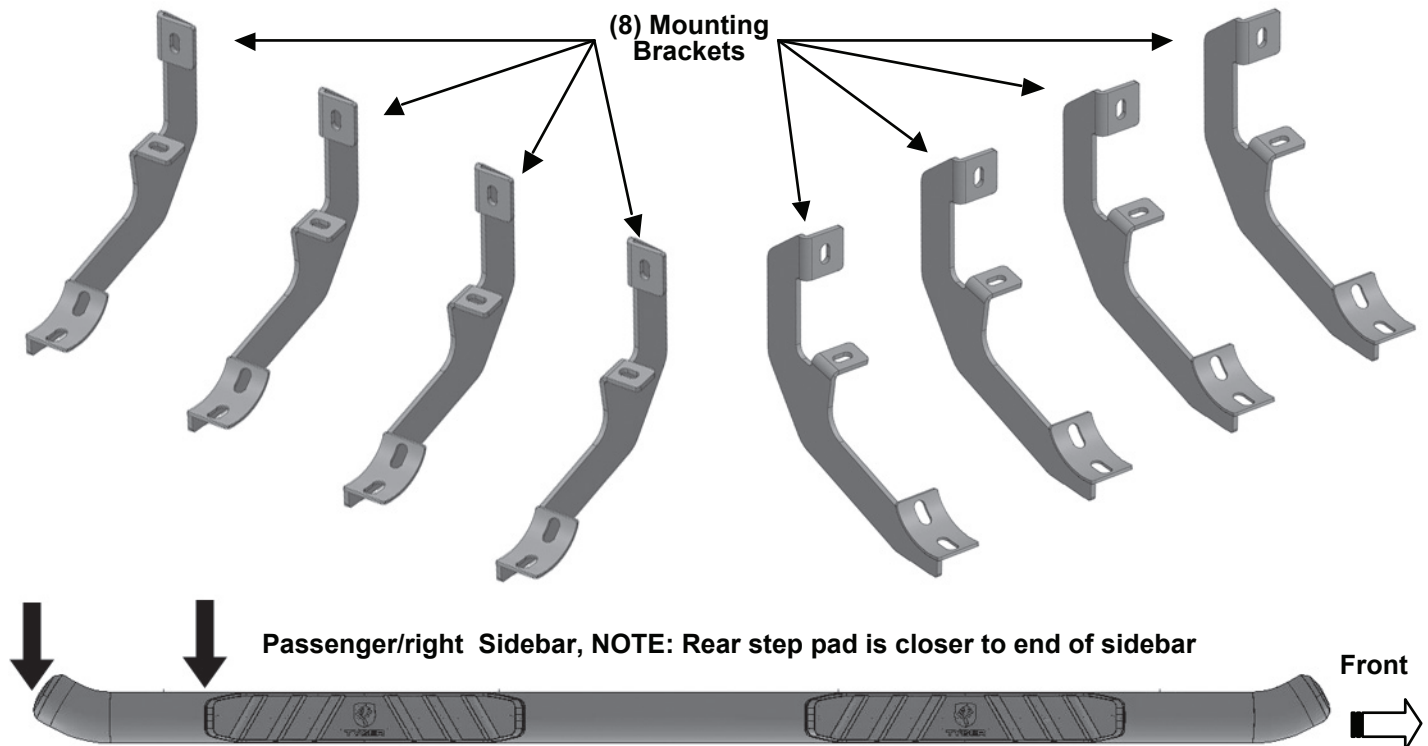
READ INSTRUCTIONS CAREFULLY BEFORE STARTING INSTALLATION. REMOVE CONTENTS FROM BOX AND VERIFY ALL PARTS ARE PRESENT. FAILURE TO IDENTIFY DAMAGE BEFORE INSTALLATION COULD LEAD TO A REJECTION OF ANY CLAIM. IF MISSING PARTS OR ANY DAMAGE FOUND, PLEASE TAKE A PICTURE FOR THE CLAIM PURPOSE.

TORQUE VALUES

Fastener Size	Class 8.8 Torque (ft-lbs)	Class 10.9 Torque (ft-lbs)
6mm	6-7	6-7
8mm	15-16	22-23
10mm	31-32	44-45
12mm	54-55	78-79
14mm	87-88	125-126

Parts List

- x1** Driver/left Sidebar
- x1** Passenger/right Sidebar
- x8** Mounting Brackets
- x16** 8-1.25mm x 30mm Hex Bolts
- x16** 8-1.25mm x 25mm Combo Bolts
- x16** 8mm Lock Washers
- x16** 8mm x 24mm x 2mm Flat Washers



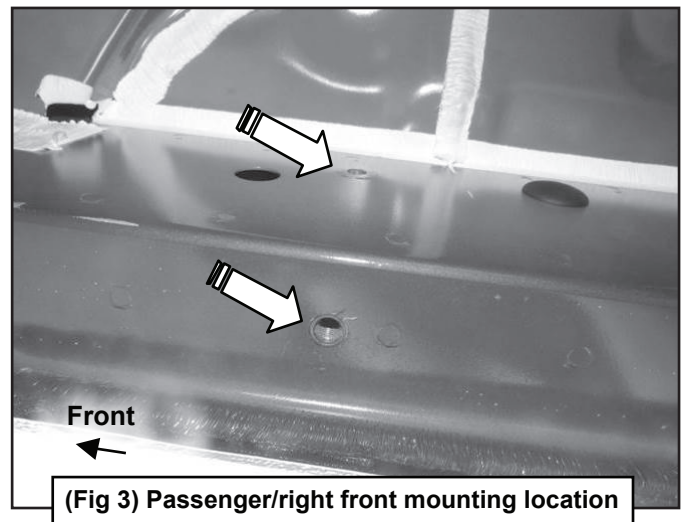
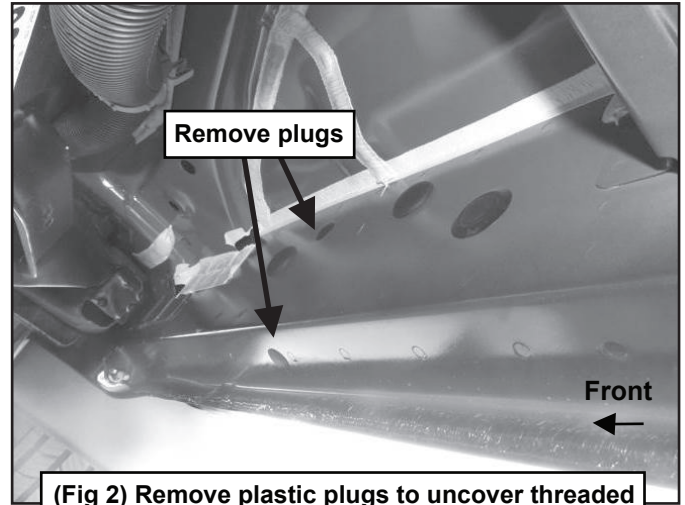
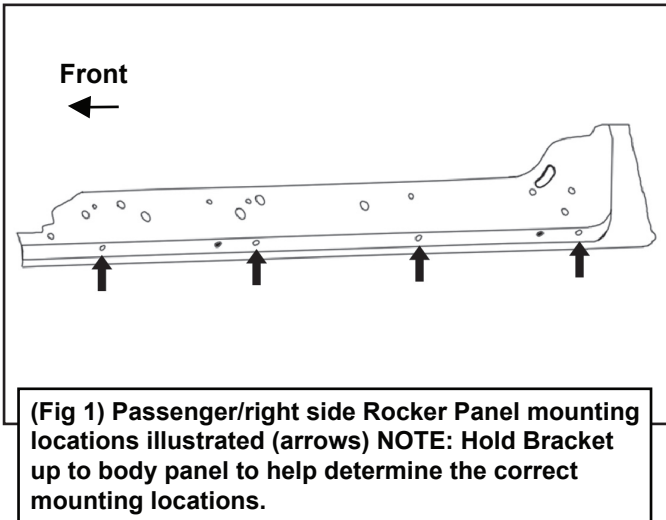


NOTE: REMOVE CONTENTS FROM BOX. VERIFY ALL PARTS ARE PRESENT. READ INSTRUCTIONS CAREFULLY BEFORE STARTING INSTALLATION. ASSISTANCE IS RECOMMENDED.

STEP 1

Start the installation under the passenger/right side of the vehicle. Locate the 6 plugs along the bottom edge of the body. Mounting Brackets will attach to the 1st, 3rd, 4th and 6th threaded mounting holes, (Fig 1). Remove the plastic plugs from each mounting location. Directly above each threaded insert is a top mounting location on the side of the body panel. Hold a Bracket up in place to help determine the mounting holes to use along the body.

NOTE: Thread an 8mm Hex Bolt into the threaded inserts to clear paint as required.

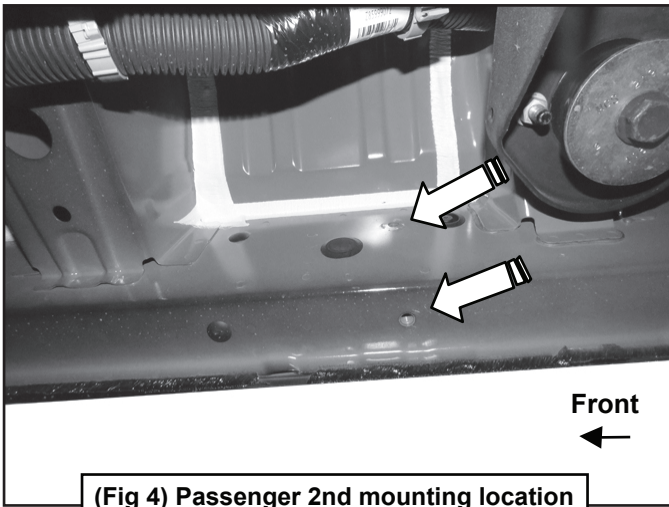


STEP 2

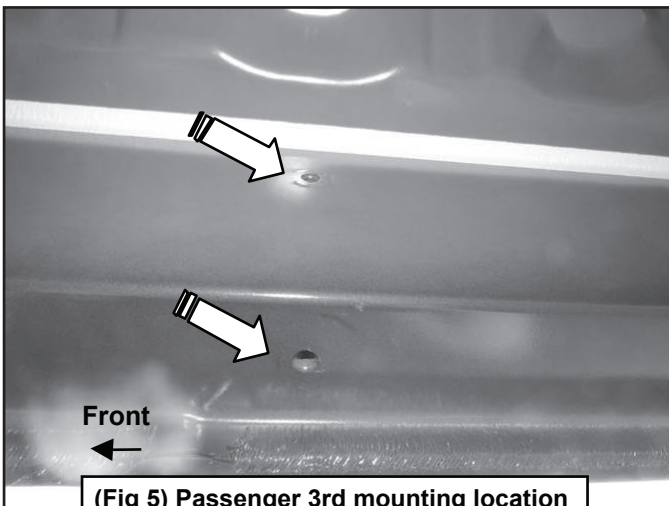
Select (1) Mounting Bracket. Starting at the passenger/right side front of the vehicle, attach the Mounting Bracket to the factory threaded holes with (2) 8mm Hex Bolts, (2) 8mm Lock Washers and (2) 8mm Flat Washers, (Figs 2-3). Do not tighten hardware at this time.

STEP 3

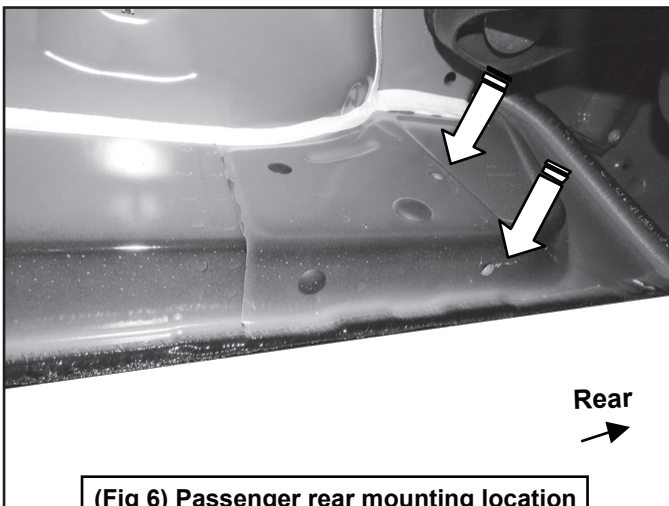
Repeat Steps 1-2 to attach the (3) Mounting Brackets to the remaining passenger/right side mounting locations along the body panel, (Figs 3-6).



(Fig 4) Passenger 2nd mounting location



(Fig 5) Passenger 3rd mounting location



(Fig 6) Passenger rear mounting location

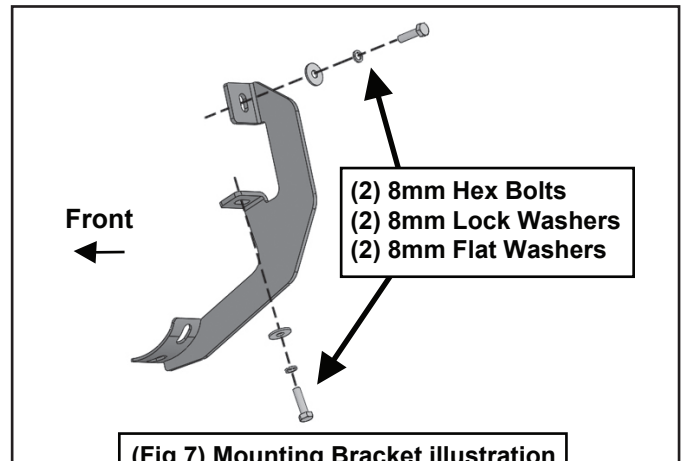
STEP 4

Select the passenger/right Sidebar. Use the illustration above to help determine the correct Sidebar.

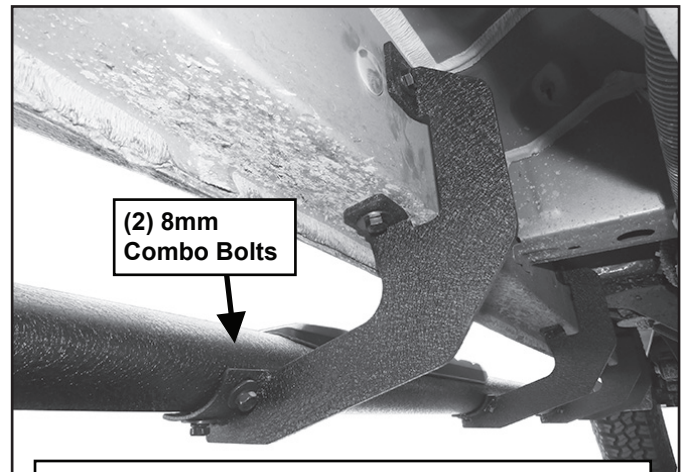
NOTE: The rear step pad is closer to the end of the Sidebar. Place the Sidebar on top of the Brackets. **IMPORTANT:** Do not slide, (front to back or rotate), the Sidebar on the Brackets or damage to the finish may result.

STEP 5

Attach the Sidebar to the Brackets with (8) 8mm Combo Bolts, (Figs 5-9).



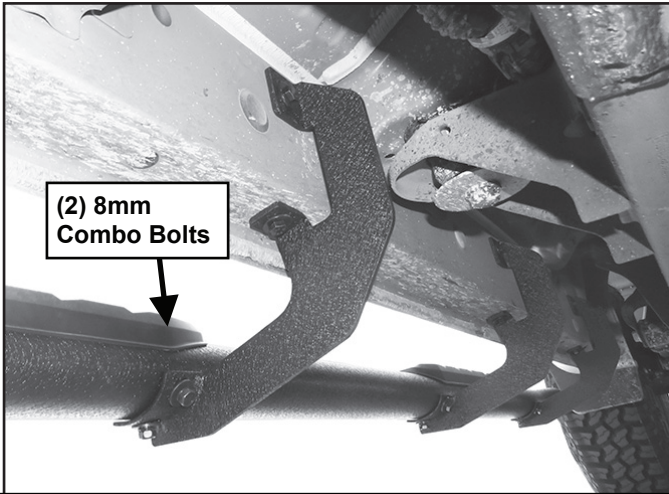
(Fig 7) Mounting Bracket illustration



(Fig 8) Attach Sidebar to Brackets-passenger/right front pictured



TYGER®



(Fig 9) Attach Sidebar to Brackets-passenger/right 2nd, 3rd and rear Brackets pictured

STEP 6

Level and adjust the Sidebar and fully tighten all hardware.

STEP 7

Repeat Steps 1-6 to install the driver/left Sidebar.

STEP 8

Do periodic inspections to the installation to make sure that all hardware is secure and tight.

