



TYGER®

SKID PLATE

TG-SP6T80568

BEFORE INSTALLATION

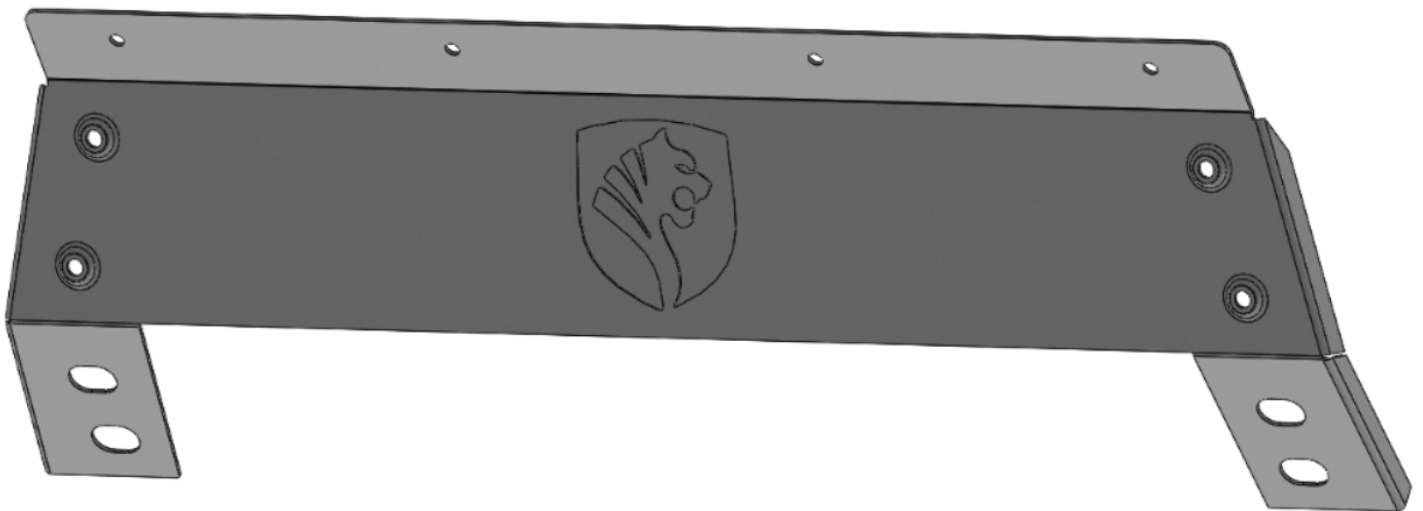
READ INSTRUCTIONS CAREFULLY BEFORE STARTING INSTALLATION. REMOVE CONTENTS FROM BOX AND VERIFY ALL PARTS ARE PRESENT. FAILURE TO IDENTIFY DAMAGE BEFORE INSTALLATION COULD LEAD TO A REJECTION OF ANY CLAIM. IF MISSING PARTS OR ANY DAMAGE FOUND, PLEASE TAKE A PICTURE FOR THE CLAIM PURPOSE.

TORQUE VALUES

Fastener Size	Class 8.8 Torque (ft-lbs)	Class 10.9 Torque (ft-lbs)
6mm	6-7	6-7
8mm	15-16	22-23
10mm	31-32	44-45
12mm	54-55	78-79
14mm	87-88	125-126

Parts List

- x1 TYGER Front Bumper Skid Plate
- x4 8mm x 25mm Button Head Bolts
- x4 8mm Lock Washers
- x4 8mm x 24mm x 2mm Flat Washers
- x1 5mm Wrench





TYGER[®]

PROCEDURE:

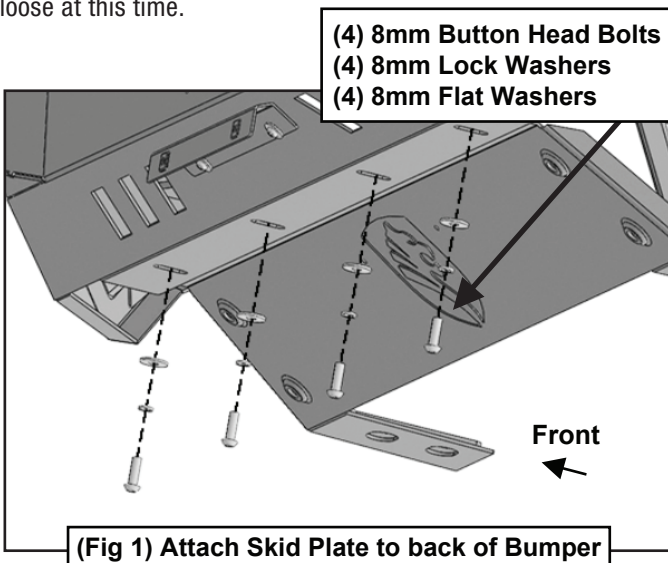
REMOVE CONTENTS FROM BOX. VERIFY ALL PARTS ARE PRESENT. READ INSTRUCTIONS CAREFULLY BEFORE STARTING INSTALLATION. ASSISTANCE IS RECOMMENDED.

STEP 1

Move to the front of the vehicle. Remove both tow hooks from the bottom of the frame. If the Bumper was previously installed, do not remove the Support Brackets or Bumper.

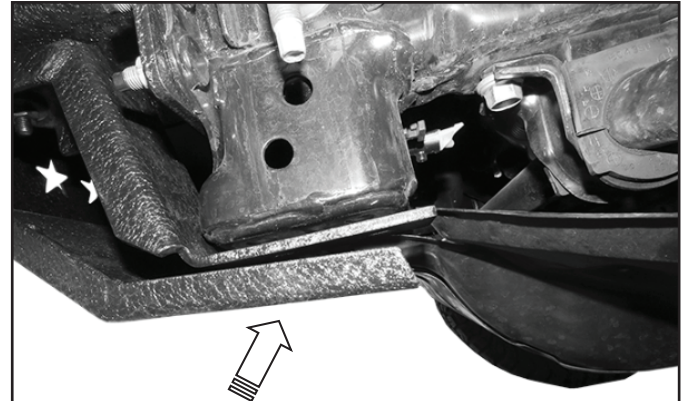
STEP 2

Carefully unwrap the Skid Plate. With assistance, slide the Skid Plate up and onto the back of the Bumper. Line up the front of the Skid Plate with the slots in the Bumper. Attach the Skid Plate to the Bumper with (4) 8mm Button Head Bolts, (4) 8mm Lock Washers and (4) 8mm Flat Washers, (Fig 1). Leave hardware loose at this time.

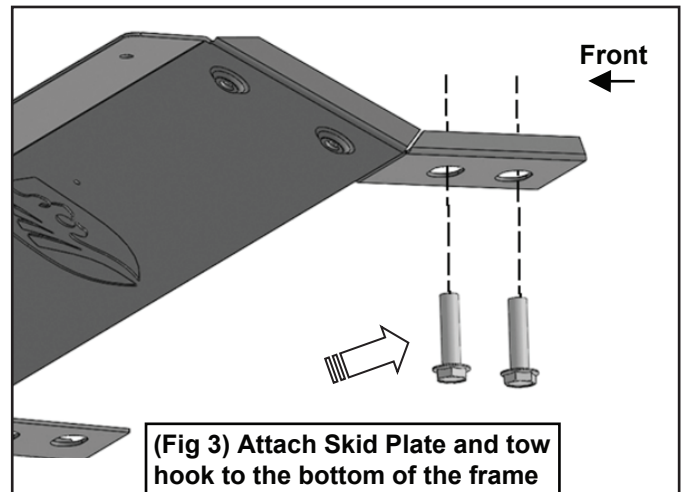


STEP 3

Line up the Skid Plate with the Support Brackets and the frame. (Fig 2) Reuse the factory hardware to attach the tow hooks and Skid Plate to the bottom of the Driver/Left Bracket and frame, (Fig 3). Repeat this **STEP** to attach the Skid Plate and tow hook to the Passenger/Right Support Bracket and Frame. **DO NOT** tighten hardware at this time.



(Fig 2) Line up back mounting holes on Skid Plate with holes in Support Bracket and frame



STEP 4

Level and adjust the Skid Plate and fully tighten all hardware.

STEP 5

Do periodic inspections to the installation to make sure that all hardware is secure and tight.