



SKID PLATE

TG-SP6D80368

BEFORE INSTALLATION

READ INSTRUCTIONS CAREFULLY BEFORE STARTING INSTALLATION. REMOVE CONTENTS FROM BOX AND VERIFY ALL PARTS ARE PRESENT. FAILURE TO IDENTIFY DAMAGE BEFORE INSTALLATION COULD LEAD TO A REJECTION OF ANY CLAIM. IF MISSING PARTS OR ANY DAMAGE FOUND, PLEASE TAKE A PICTURE FOR THE CLAIM PURPOSE.

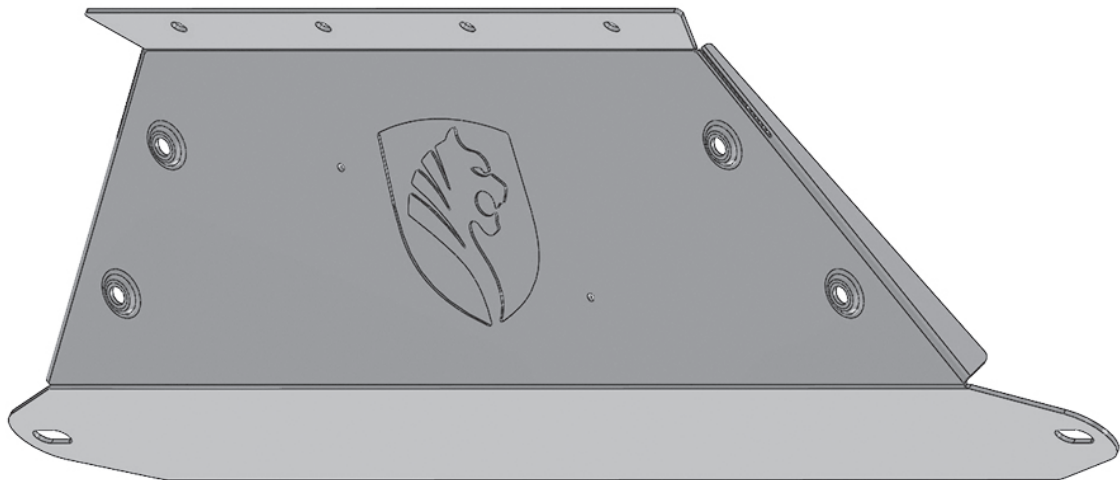
TORQUE VALUES

Fastener Size	Class 8.8 Torque (ft-lbs)	Class 10.9 Torque (ft-lbs)
6mm	6-7	6-7
8mm	15-16	22-23
10mm	31-32	44-45
12mm	54-55	78-79
14mm	87-88	125-126

NOTE: Assistance is recommended.

Parts List

- x1 Skid Plate
- x2 12-1.5mm x 30mm Fine Thread Hex Bolts
- x2 12mm x 37mm x 3mm Flat Washers
- x2 12mm Lock Washers
- x4 8-1.25mm x 25mm Button Head Bolt
- x4 8mm Lock Washers
- x4 8mm x 24mm x 2mm Flat Washers
- x1 5mm Allen Wrench





TYGER[®]

STEP 1

On models with tow hooks, temporarily remove the tow hooks.

STEP 2

Carefully unwrap the Skid Plate. With assistance, line up the front of the Skid Plate with the back of the TYGER Bumper. Attach the Skid Plate to the Bumper with the included (4) 8mm Button Head Bolts, (4) 8mm Lock Washers and (4) 8mm Flat Washers, (Figure 1). Leave hardware loose at this time.

STEP 3

Line up the mounting tabs on the end of the Skid Plate with the threaded holes in the bottom of the lower frame.

Models without tow hooks:

a. Attach the mounting tabs to the bottom of the lower frame with the included (2) 12mm Hex Bolts, (2) 12mm Lock Washers and (2) 12mm Flat Washers, (Figures 2-3).

Models with tow hooks:

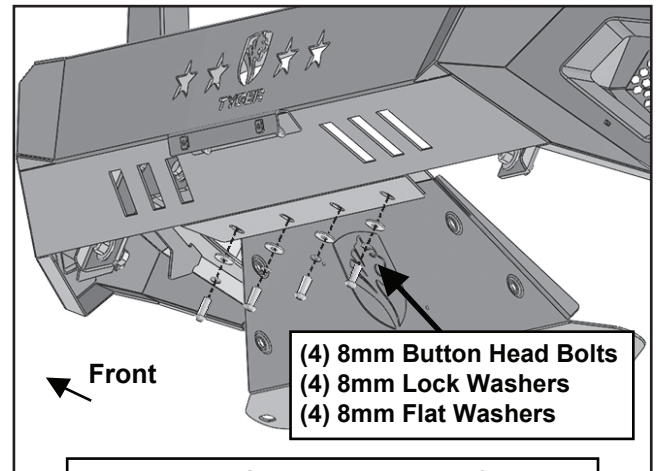
- Reinstall the driver/left tow hook with the mounting tab on the Skid Plate sandwiched between the tow hook and the frame, (Figure 2).
- Reuse the factory tow hook hardware to reinstall the tow hook.
- Repeat the previous Steps to reinstall the passenger/right tow hook.

STEP 4

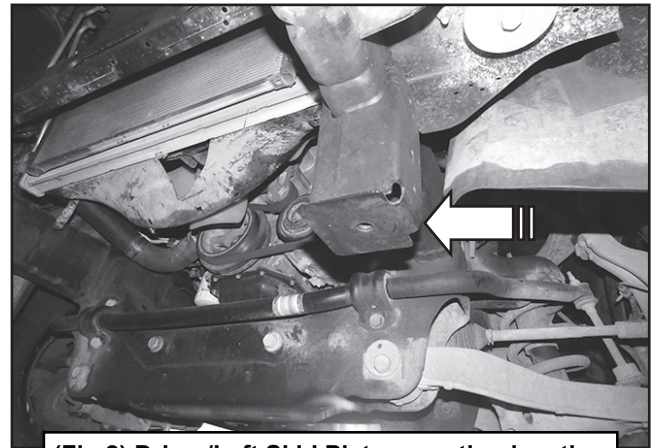
Level and adjust the Skid Plate and fully tighten all hardware.

STEP 5

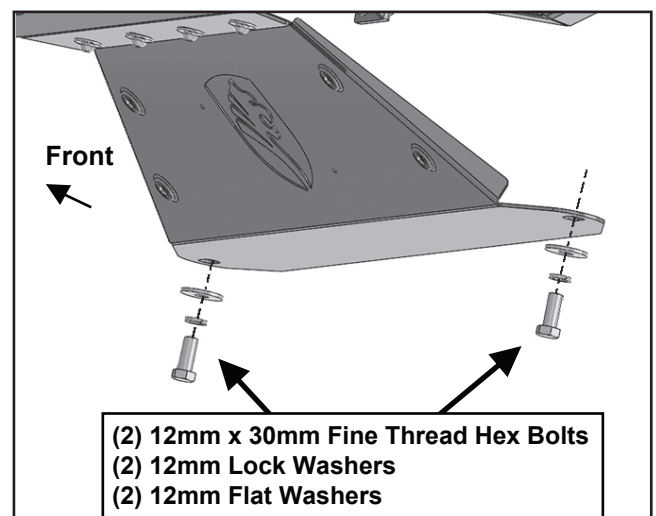
Do periodic inspections to the installation to make sure that all hardware is secure and tight.



(Fig 1) Attach Skid Plate to back of Bumper



(Fig 2) Driver/Left Skid Plate mounting location



(Fig 3) Attach Skid Plate to threaded holes in bottom of frame. NOTE: Models with tow hooks, reuse factory hardware and sandwich Skid Plate between tow hook and bottom of frame.