



## SPORT BAR

TG-SB7J88678

### BEFORE INSTALLATION

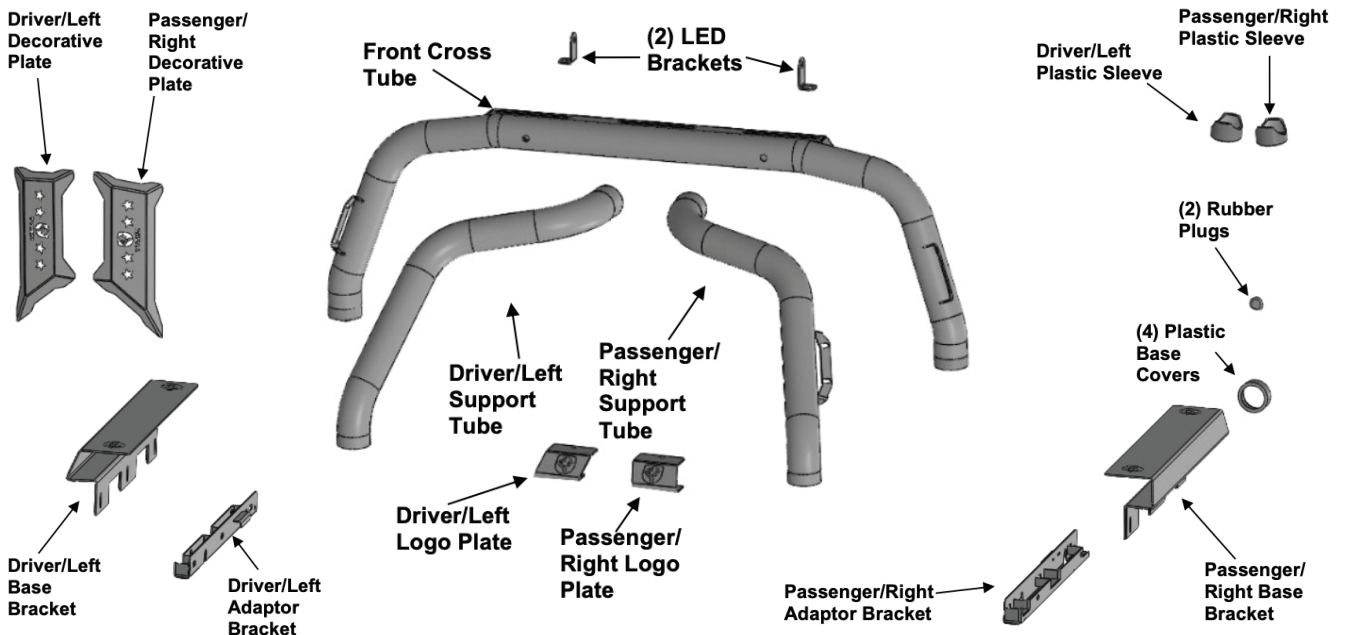
READ INSTRUCTIONS CAREFULLY BEFORE STARTING INSTALLATION. REMOVE CONTENTS FROM BOX AND VERIFY ALL PARTS ARE PRESENT. FAILURE TO IDENTIFY DAMAGE BEFORE INSTALLATION COULD LEAD TO A REJECTION OF ANY CLAIM. IF MISSING PARTS OR ANY DAMAGE FOUND, PLEASE TAKE A PICTURE FOR THE CLAIM PURPOSE.

### TORQUE VALUES

Fastener Size	Class 8.8 Torque (ft-lbs)	Class 10.9 Torque (ft-lbs)
6mm	6-7	6-7
8mm	15-16	22-23
10mm	31-32	44-45
12mm	54-55	78-79
14mm	87-88	125-126

## Parts List

- x1 Front Cross Tube
- x1 Driver/Left Cross Tube
- x1 Passenger/Right Cross tube
- x1 Driver/Left Base Bracket
- x1 Passenger/Right Base Bracket
- x1 Driver/Left Adaptor Bracket
- x1 Passenger/Right Adaptor Bracket
- x1 Driver/Left Decorative Plate
- x1 Passenger/Right Decorative Plate
- x1 Driver/Left Logo Plate
- x1 Passenger/Right Logo Plate
- x2 L-Brackets
- x1 Driver/Left Plastic Sleeve
- x1 Passenger/Right Plastic Sleeve
- x4 Plastic Base Covers
- x2 Plastic Plugs
- x1 Driver/Left Long Support Bracket
- x1 Passenger/Right Long Support Bracket
- x1 Driver/Left Short Support Bracket
- x1 Passenger/Right Short Support Bracket
- x2 12-1.75mm x 60mm Button Head Bolts
- x4 12-1.75mm x 35mm Flat Head Bolts
- x2 12mm Lock Washers
- x2 12mm x 24mm OD x 2.5mm Flat Washers
- x6 10mm Bolt Plates
- x6 10mm x 30mm OD x 2.5mm Flat Washers
- x6 10mm Lock Washers
- x6 10mm Hex Nuts
- x6 10mm Plastic Retainers
- x6 8-1.25mm x 25mm Hex Bolts
- x2 8-1.25mm x 16mm Hex Bolts
- x10 8mm x 24mm OD x 2.5mm Flat Washers
- x8 8mm Lock Washers
- x2 8mm Hex Nuts
- x4 6-1.0mm x 25mm Hex Bolts
- x2 6-1.0mm x 20mm Button Head Combo Bolts
- x4 6mm x 22mm OD x 2mm Flat Washers
- x4 6mm Lock Washers
- x8 6mm Flange Nylon Lock Nuts
- x1 8mm Hex Wrench
- x1 4mm Hex Wrench
- x1 12mm Fish Wire



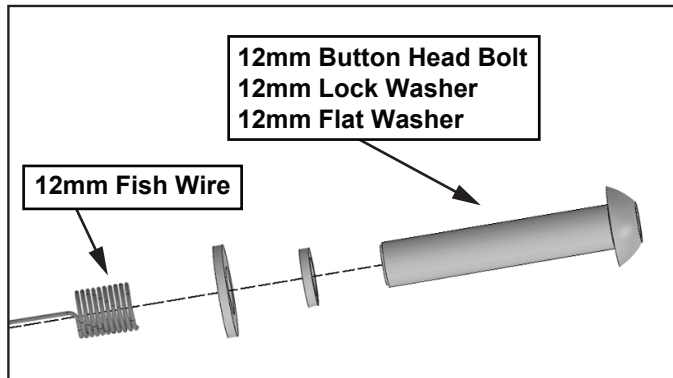


## PROCEDURE:

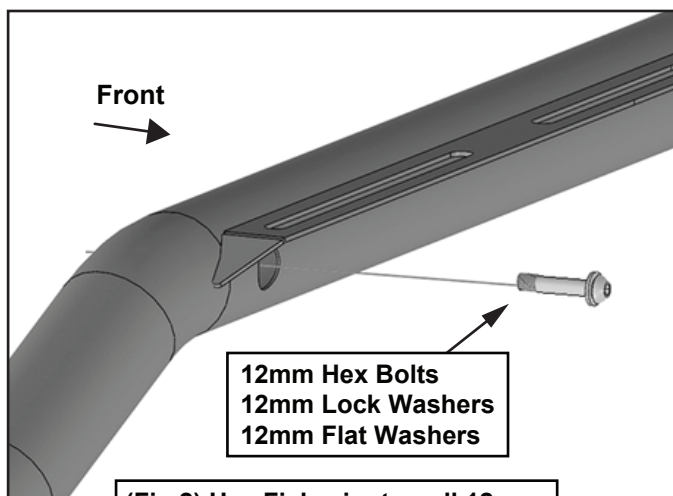
REMOVE CONTENTS FROM BOX. VERIFY ALL PARTS ARE PRESENT. READ INSTRUCTIONS CAREFULLY BEFORE STARTING INSTALLATION. ASSISTANCE IS RECOMMENDED.

## STEP 1

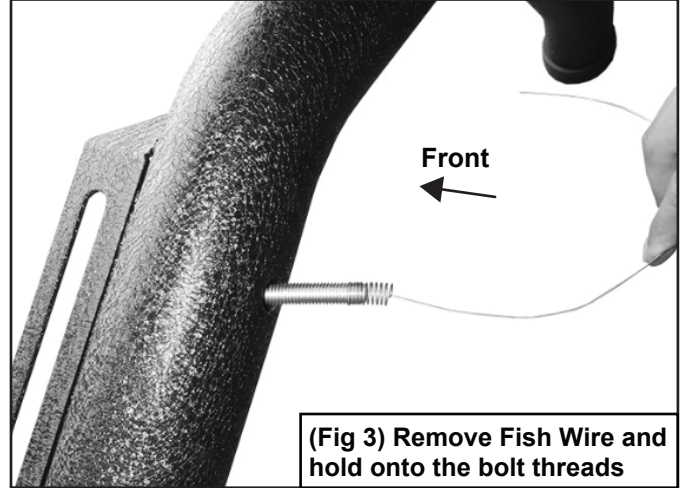
Remove tonneau cover if equipped. Select the Front Cross Tube. Insert (1) 12mm Button Head Bolt into (1) 12mm Lock Washer and (1) 12mm Flat Washer. Thread the bolt assembly into the 12mm Fish Wire (Fig 1). Slide the Fish Wire assembly through the holes in the Front Cross Tube (Figs 2 & 3). Insert 8mm Hex Wrench into the head of the bolt to hold it in place inside the tube (Fig 4).



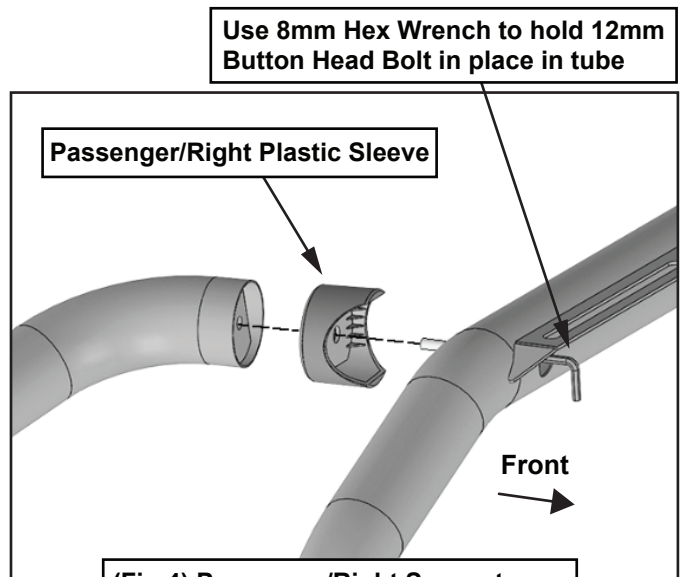
(Fig 1) Thread 12mm assembly into the 12mm Fish Wire



(Fig 2) Use Fish wire to pull 12mm Hex Bolt into the Front Cross Tube



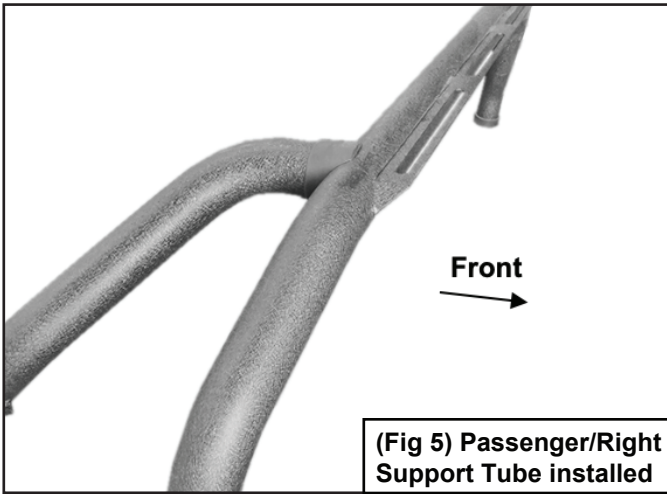
(Fig 3) Remove Fish Wire and hold onto the bolt threads



(Fig 4) Passenger/Right Support Tube installation to Front Cross Tube

## STEP 2

Slide the Passenger/ Right Plastic Sleeve onto the Passenger/Right Rear Support Tube. Thread the 12mm Button Head Bolt into the Passenger/Right Support Tube (Figs 4 & 5).

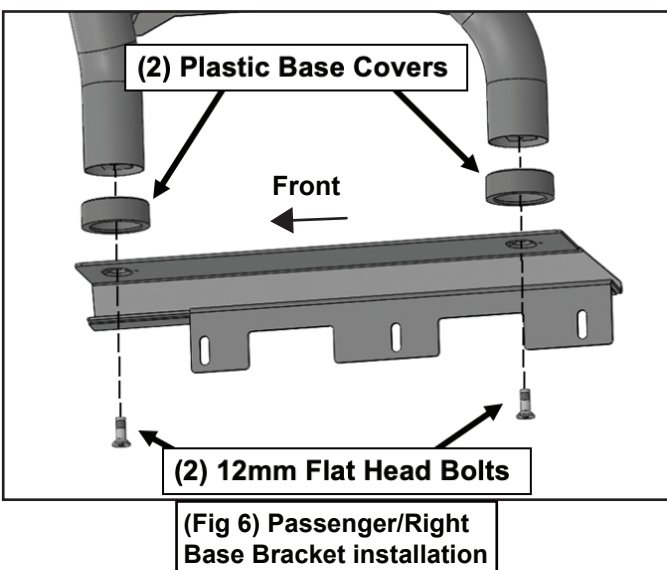


## STEP 3

Repeat **STEPS 1 & 2** to attach the Driver/Left Rear Support Tube. DO NOT tighten hardware.

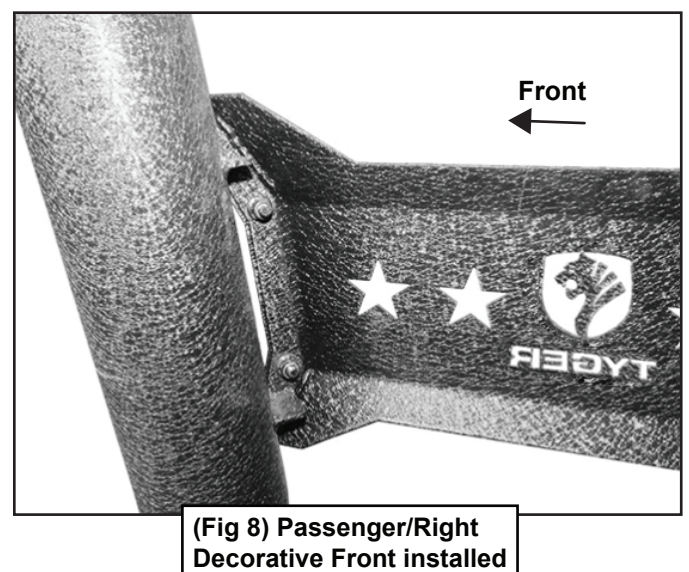
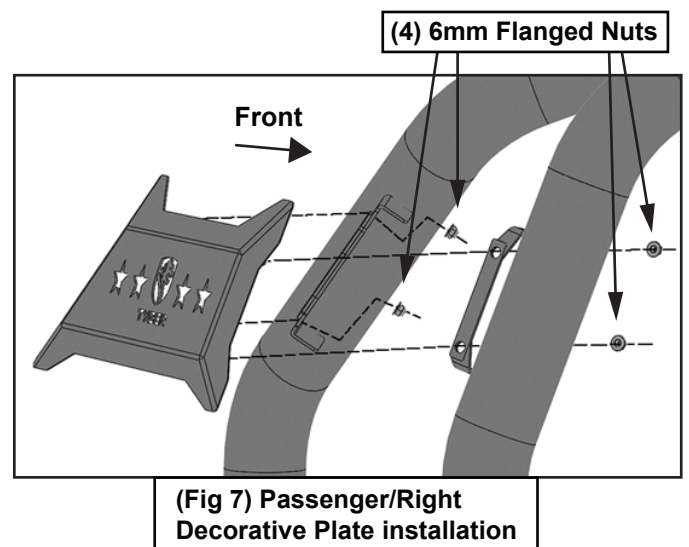
## STEP 4

Slide (2) Plastic Base Cover onto the bottom of the Passenger/Right tubes. Select the Passenger/Right Base Bracket. Attach the Base Bracket to the bottom of the Tubes with (2) 12mm Flat Head Bolts (Fig 6). Leave hardware loose. Repeat this **STEP** to attach the Driver/Left Base Bracket.



## STEP 5

Select the Passenger/Right Decorative Plate. Attach the Decorative Plate to the welded brackets on the sides of the Tubes with (4) 6mm Flange Nuts (Figs 7 & 8). Repeat this **STEP** to attach the Driver/Left Decorative Plate. DO NOT tighten hardware.



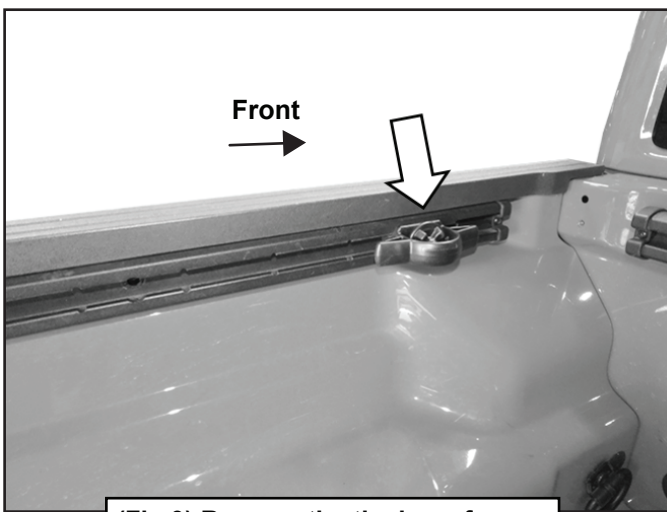


## STEP 6

### Determine if vehicle is equipped with bedrails

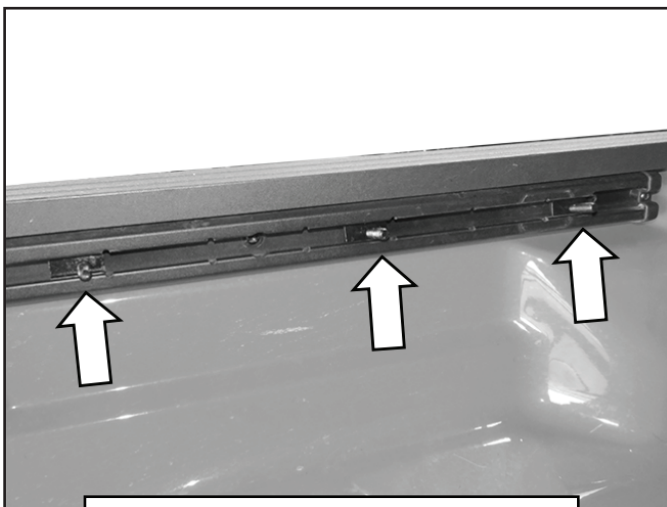
For vehicles with bedrails (Fig 9):

a. Locate and remove the factory tie down loops attached to the bedrails (Fig 9).



(Fig 9) Remove the tie down from the utility rail to access the channel

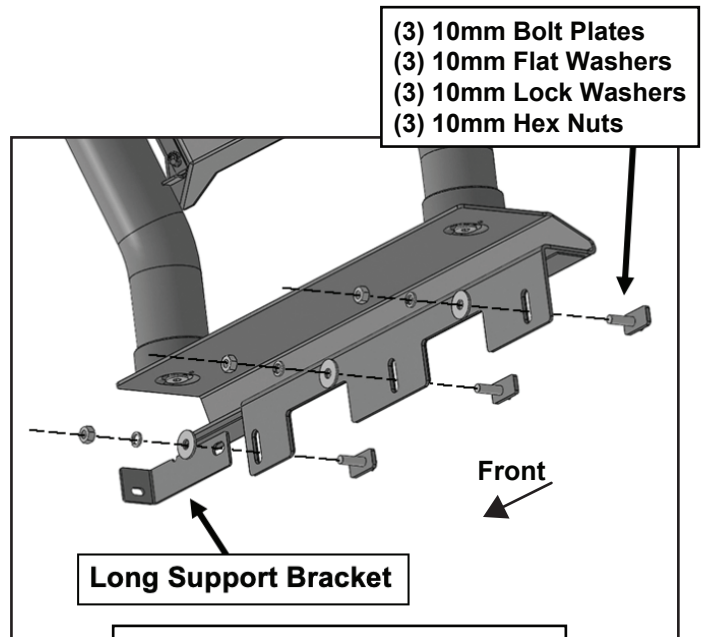
b. Slide (3) 10mm Bolt Plates into each of the rails (Fig10).



(Fig 10) Slide (3) 10mm Bolt Plates into the bedrail (Driver/Left side shown)

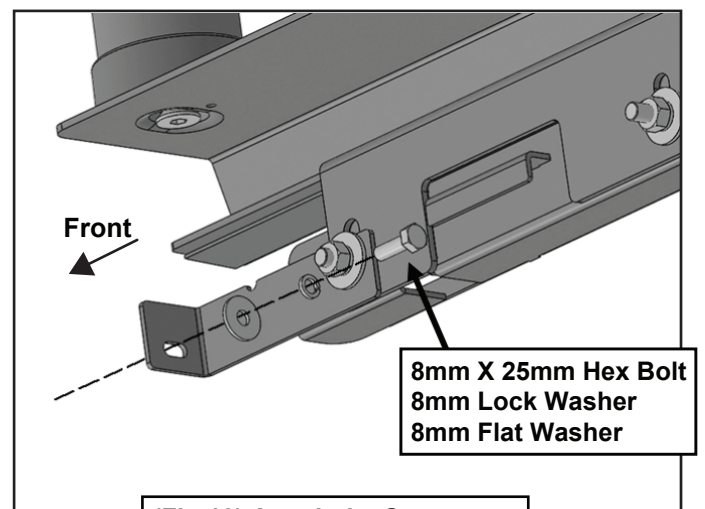
c. Line up the Bolt Plates to the (3) slots in the Passenger/Right Base Plates.

d. With assistance attach the Base Brackets to the (6) Bolt Plates with the Passenger/Right Long Support Bracket, (6) 10mm Flat Washers, (6) 10mm Lock Washers and (6) 10mm Hex Nuts (Fig 11). DO NOT tighten hardware.



(Fig 11) Attach the Passenger/Right Base Bracket to the Bolt Plates

e. Attach the Support Bracket to the front of the bed with (1) 8mm x 25mm Hex Bolt, (1) 8mm Lock Washer and (1) 8mm Flat Washer (Fig 12). DO NOT tighten hardware.



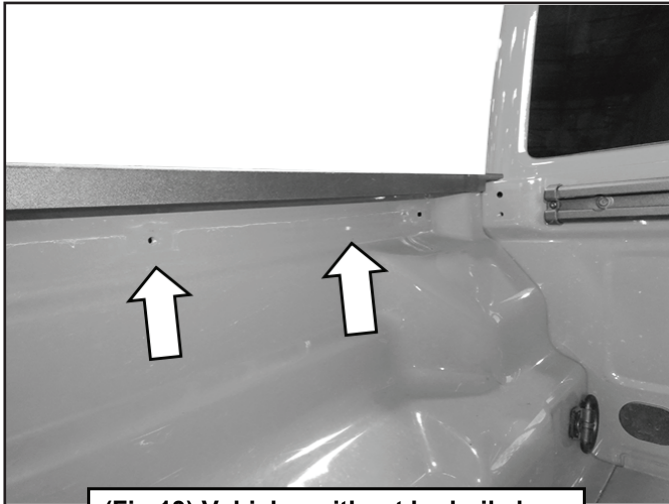
(Fig 12) Attach the Support Bracket to the front of the bed



f. Repeat previous Steps to attach the Driver/Left Base Bracket and Long Support Bracket.

g. Continue to **STEP 7**.

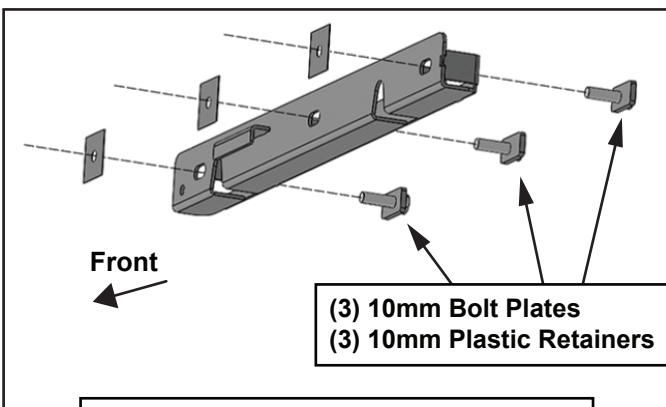
**For vehicles without bedrails (Fig 13):**



**(Fig 13) Vehicles without bedrails have threaded inserts (Driver/Left shown)**

a. Locate the threaded inserts on the walls of the bed.

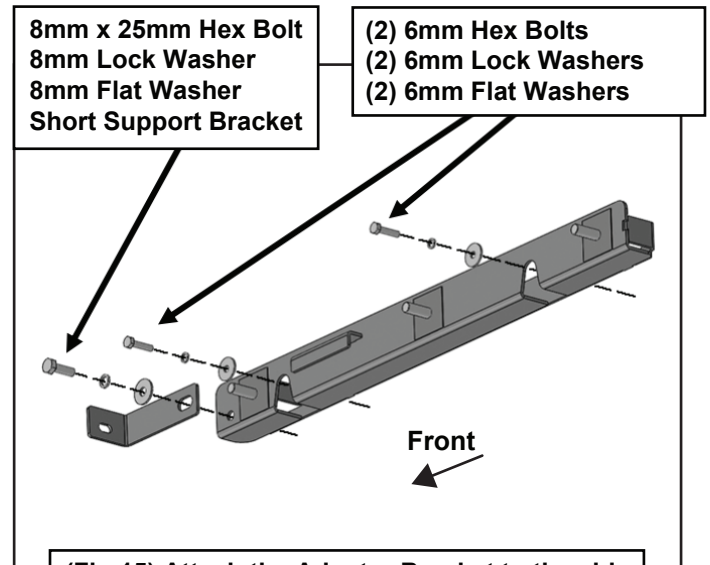
b. Select the Passenger/Right Adaptor Bracket. Insert (3) 10mm Bolt Plates into the Adaptor Bracket. Thread (3) 10mm Plastic Retainers onto the (3) 10mm Bolt Plates to hold them in place (Fig 14).



**(Fig 14) Insert (3) 10mm Bolt Plates into the Passenger/Right Adaptor Bracket (For vehicles without bedrails)**

c. Attach the Adaptor Bracket to the walls of the bed with (2) 6mm Button Head Bolts, (2) 6mm Lock Washers and (2) 6mm Flat Washers (Fig 15). **DO NOT** tighten hardware.

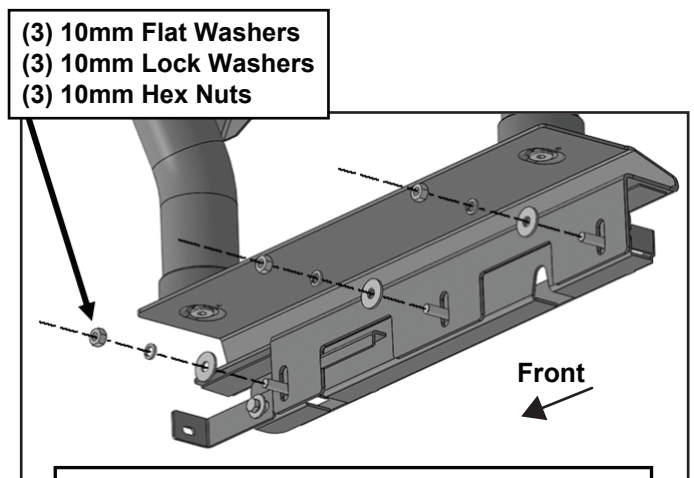
d. Attach the Passenger/Right Short Support Bracket to the Adaptor Bracket with (1) 8mm x 25mm Hex Bolt, (1) 8mm Lock Washer and (1) 8mm Flat Washer (Fig 15).



**(Fig 15) Attach the Adaptor Bracket to the side of the bed (For vehicles without bedrails)**

e. Repeat previous Steps to attach the Driver/Left Adaptor Bracket and Short Support Bracket.

f. With assistance attach the Base Brackets to the Adaptor Brackets with (6) 10mm Flat Washers, (6) 10mm Lock Washers and (6) 10mm Hex Nuts (Fig 16). **DO NOT** tighten hardware.

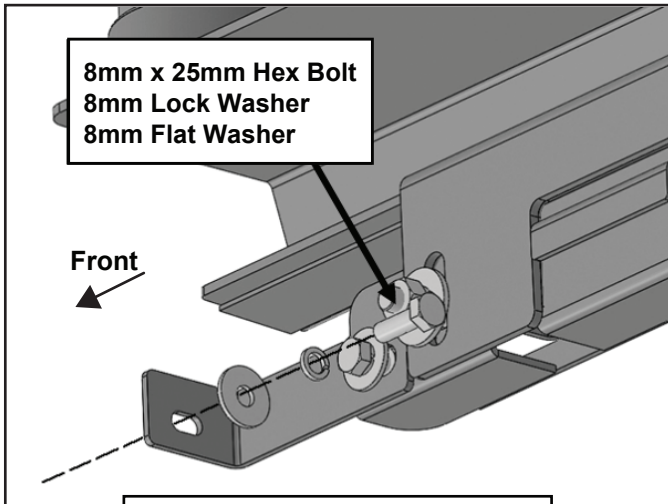


**(Fig 16) Attach the Base Bracket to the Adaptor Bracket (For vehicles without bedrails)**



**g.** Attach the Short Support Brackets to the front of the bed wit (2) 8mm x 25mm Hex Bolts, (2) 8mm Lock Washers and (2) 8mm Flat Washers (Fig 17).

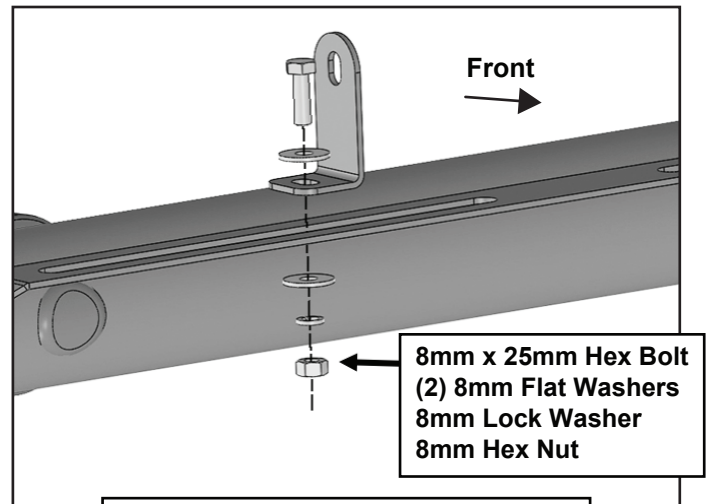
**h.** Continue to **STEP 7**.



(Fig 17) Attach the Small Support Bracket to the front of the bed

## STEP 9

(Optional to attach a Light Bar) Select (1) L-Bracket. Attach to the Passenger/Right top of the Sports Bar with (1) 8mm x 25mm Hex Bolt, (2) 8mm Flat Washers, (1) 8mm Lock Washer and (1) 8mm Hex Nut (Fig 19). Repeat this STEP to attach (1) L-Bracket to the Driver/Left side.



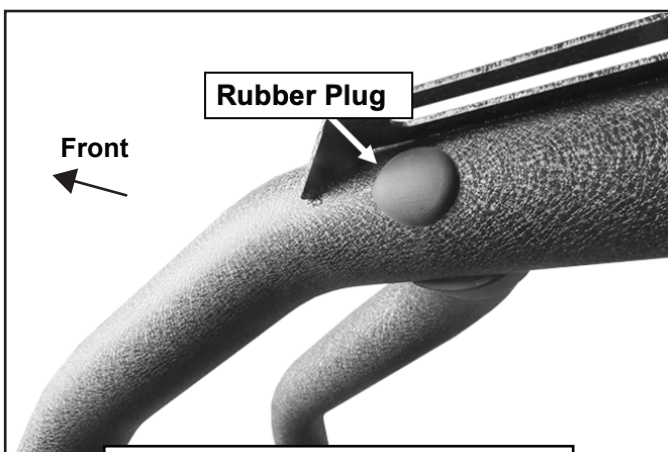
(Fig 19) LED Light Bracket installation

## STEP 7

Level and center the Sports Bar. Tighten all hardware.

## STEP 8

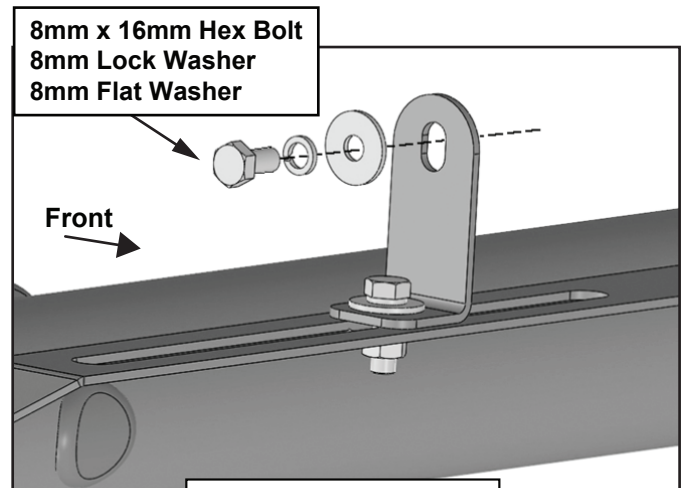
Select (2) Rubber Plugs. Insert Plugs into the front holes of the Front Cross Tube (Fig 18).



(Fig 18) Insert Rubber Plug into Hole

## STEP 10

Attach Light Bar (sold separately) to the L-Brackets with (2) 8mm x 16mm Hex Bolt, (2) 8mm Lock Washer and (2) 8mm Flat Washer (Fig 20).



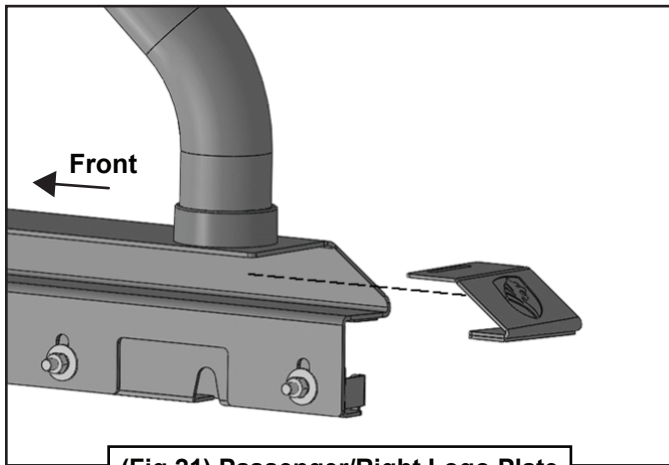
(Fig 20) LED installation



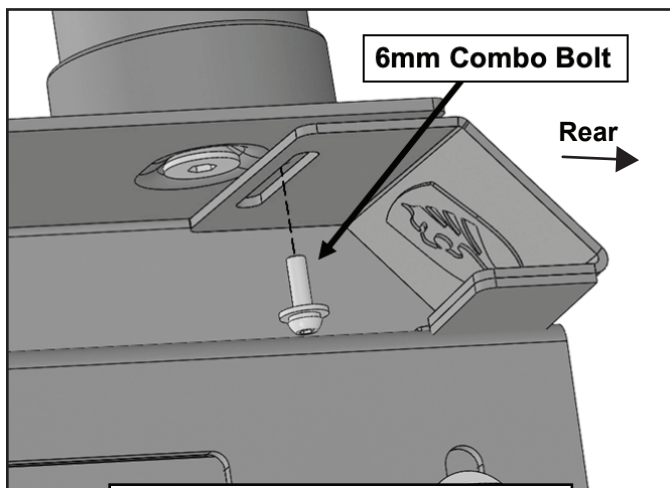
# TYGER<sup>®</sup>

## STEP 11

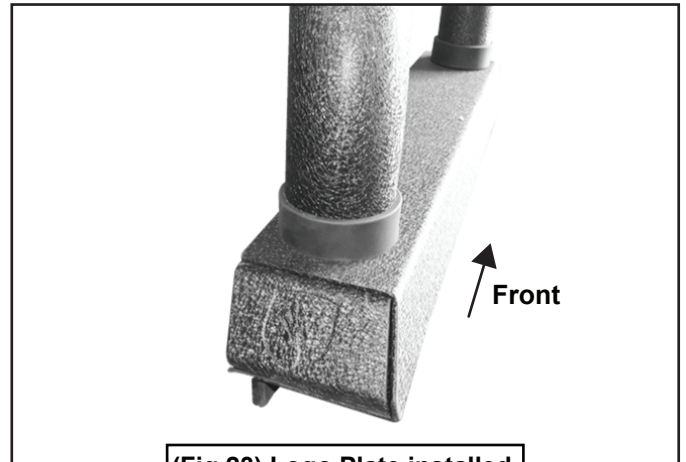
**(OPTIONAL)** Locate the threaded mounting hole on the inside of the Base Bracket for the Passenger/Right Logo Plate. Attach Logo Plate with one 6mm Combo Bolt (Figs 21-23). Repeat this STEP to attach the Driver/Left Logo Plate. Do not attach Plates if a tonneau cover will be installed.



(Fig 21) Passenger/Right Logo Plate



(Fig 22) Passenger/Right Logo Plate installation (Optional)



(Fig 23) Logo Plate installed

## STEP 12

Do periodic inspections to the installation to make sure that all hardware is secure and tight.