



TYGER®

SPORT BAR

TG-SB7D88258

BEFORE INSTALLATION

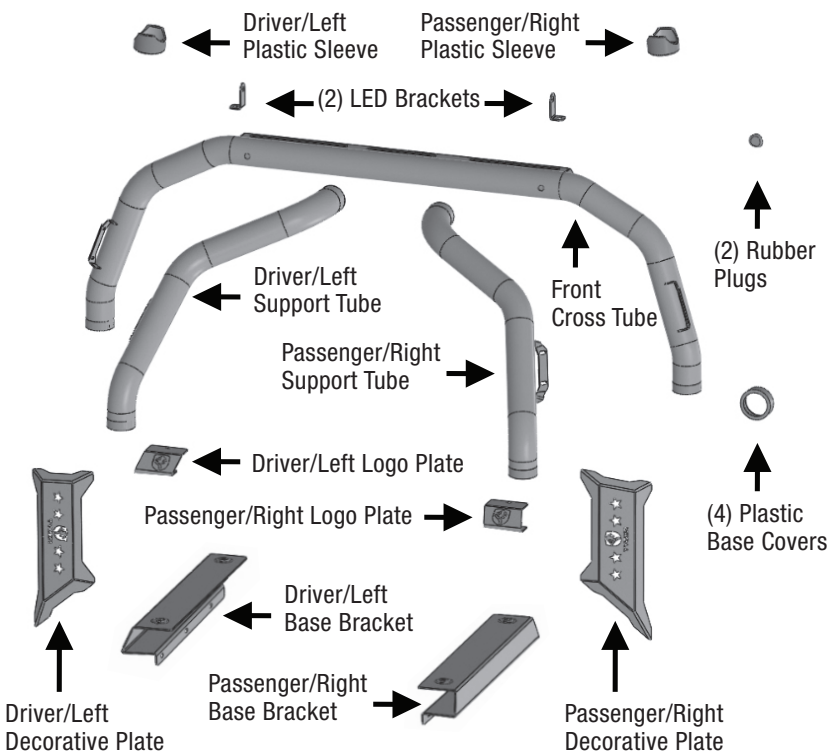
READ INSTRUCTIONS CAREFULLY BEFORE STARTING INSTALLATION. REMOVE CONTENTS FROM BOX AND VERIFY ALL PARTS ARE PRESENT. FAILURE TO IDENTIFY DAMAGE BEFORE INSTALLATION COULD LEAD TO A REJECTION OF ANY CLAIM. IF MISSING PARTS OR ANY DAMAGE FOUND, PLEASE TAKE A PICTURE FOR THE CLAIM PURPOSE.

DISCLAIMER

THIS PRODUCT IS NOT DESIGNED TO WORK AS A SAFETY DEVICE AGAINST ROLLOVER ACCIDENTS. TYGER AUTO IS NOT RESPONSIBLE OR LIABLE FOR ANY DAMAGES & INJURIES AS A RESULT OF A ROLLOVER ACCIDENTS.

TORQUE VALUES

Fastener Size	Class 8.8 Torque (ft-lbs)	Class 10.9 Torque (ft-lbs)
6mm	6-7	6-7
8mm	15-16	22-23
10mm	31-32	44-45
12mm	54-55	78-79
14mm	87-88	125-126



Parts List

- x1 Front Cross Tube
- x1 Driver/Left Support Tube
- x1 Passenger/Right Support Tube
- x1 Driver/Left Decorative Plate
- x1 Passenger/Right Decorative Plate
- x1 Driver/Left Logo Plate
- x1 Passenger/Right Logo Plate
- x2 Rubber Plugs
- x2 LED Light Bar Brackets
- x1 Driver/Left Base Bracket
- x1 Passenger/Right Base Bracket
- x1 Driver/Left Plastic Sleeve
- x1 Passenger/Right Plastic Sleeve
- x4 Plastic Base Covers
- x4 12-1.75mm x 35mm Flat Head Screws
- x2 12-1.75mm x 60mm Button Head Bolts
- x2 12mm Lock Washers
- x2 12mm x 24mm x 2.5mm Flat Washers
- x2 8-1.25mm x 16mm Hex Bolts
- x2 8-1.25mm x 25mm Hex Bolts
- x6 8-1.25mm x 40mm Hex Bolts
- x6 8mm Nut Plates
- x12 8mm x 24mm x 2mm Flat Washers
- x10 8mm Lock Washers
- x2 8mm Hex Nuts
- x8 6mm Flange Nuts
- x2 6mm Button Head Combo Bolts
- x1 12mm Fish Wire
- x1 8mm Hex Wrench
- x1 4mm Hex Wrench

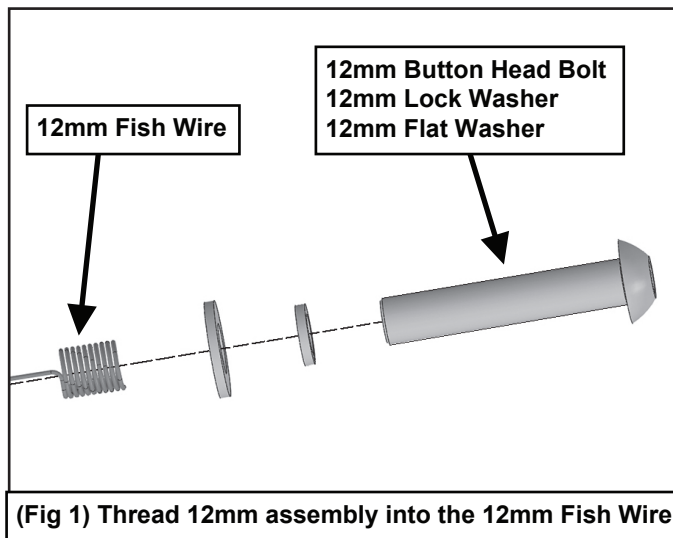


TYGER®

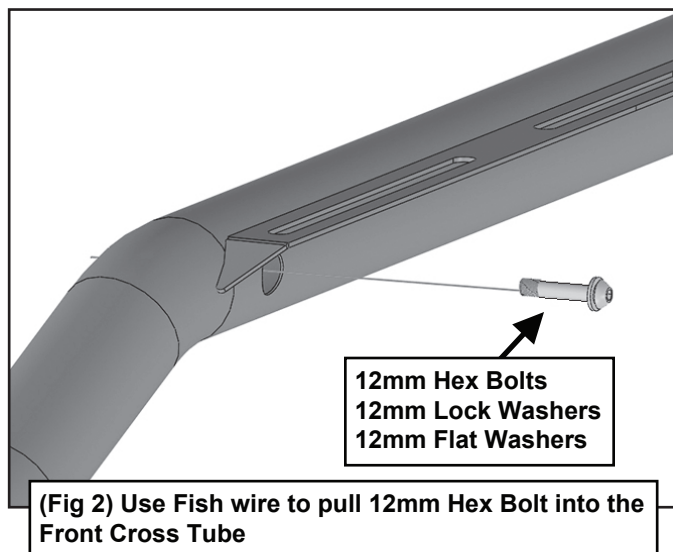
NOTE: Assistance is recommended. Drilling is required. Cutting of plastic bed liner (if equipped) may be required.

STEP 1

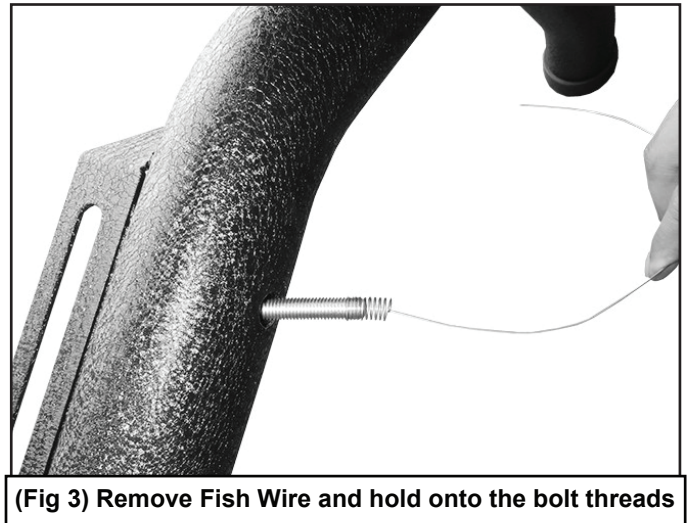
Select Front Cross Tube. Insert (1) 12mm Button Head Bolt into (1) 12mm Lock Washer and (1) 12mm Flat Washer. Thread the bolt assembly into the 12mm Fish Wire, (Fig 1).



Slide the Fish Wire assembly through the holes in the Front Cross Tube, (Figs 2-3).

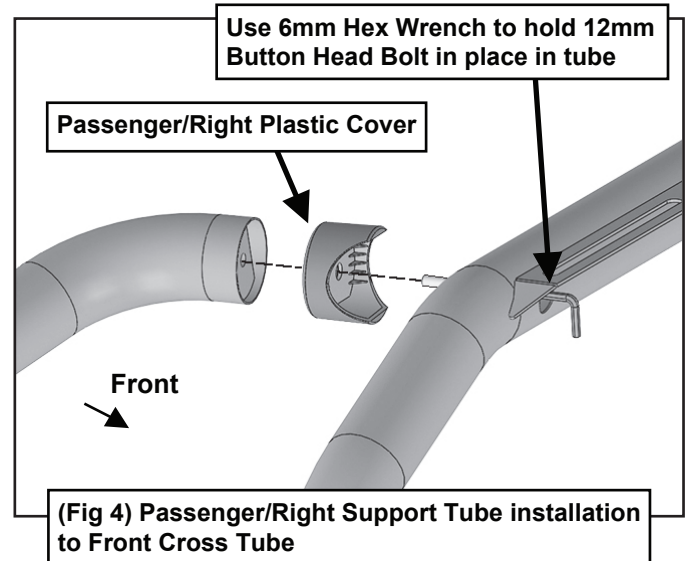


Insert 6mm Hex Wrench into the head of the bolt to hold it in place inside the tube, (Fig 4).



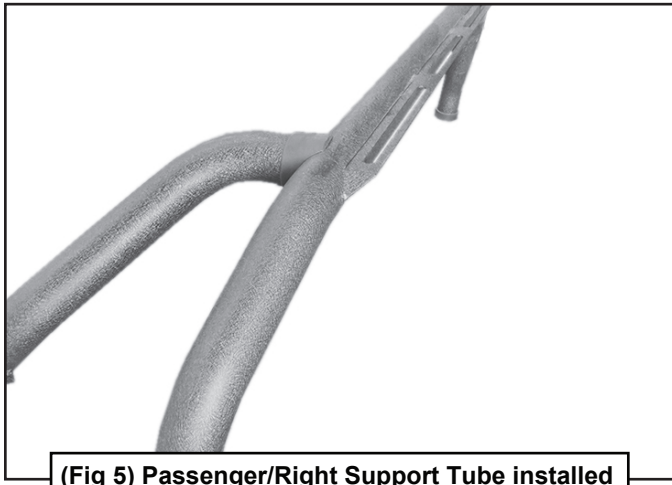
STEP 2

Slide the Passenger/Right Plastic Sleeve onto the Passenger/Right Rear Support Tube. Thread 12mm Button Head Bolt into the Passenger/Right Support Tube, (Figs 4-5).





TYGER[®]



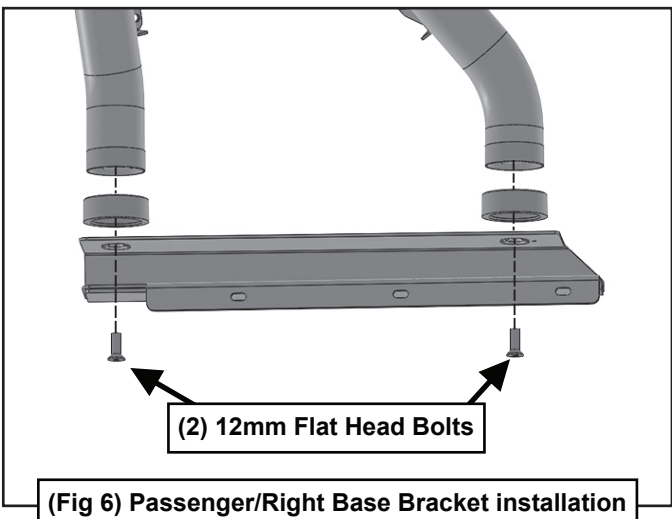
(Fig 5) Passenger/Right Support Tube installed

STEP 3

Repeat Steps 1-2 to attach the Driver/Left Rear Support Tube. Do not tighten hardware at this time.

STEP 4

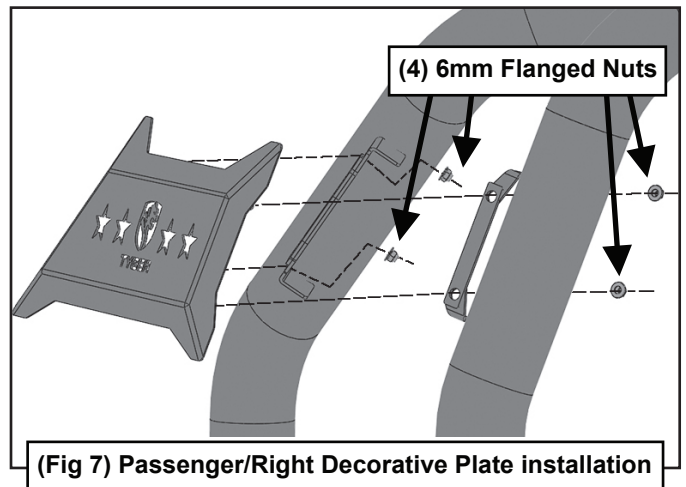
Insert (2) Plastic Base Cover onto the bottom of the tubes. Select the Passenger/Right Base Bracket. Attach the Base Bracket to the bottom of the tubes with (2) 12mm Flat Head Bolts, (Fig 6). Do not tighten hardware at this time. Repeat this Step to install the Driver/Left Base Bracket.



(Fig 6) Passenger/Right Base Bracket installation

STEP 5

Select the Passenger/Right Decorative Plate. Attach the Plate to the welded brackets on the sides of the tubes with (4) Flanged Nuts, (Figs 7-8). Repeat Step to install the Driver/Left Decorative Plate.



(Fig 7) Passenger/Right Decorative Plate installation



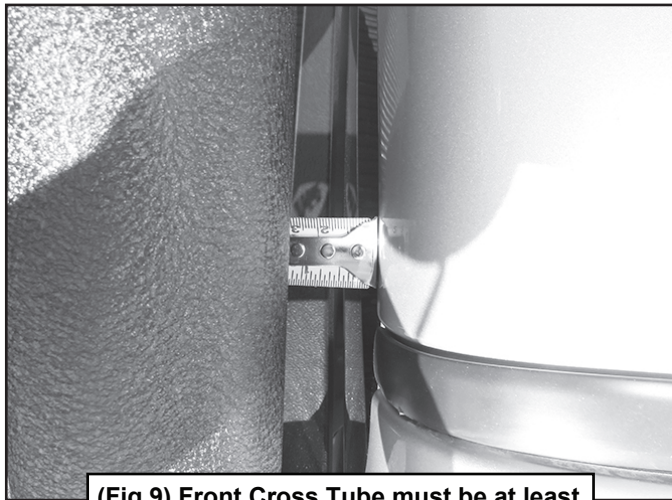
(Fig 8) Passenger/Right Decorative Front installed



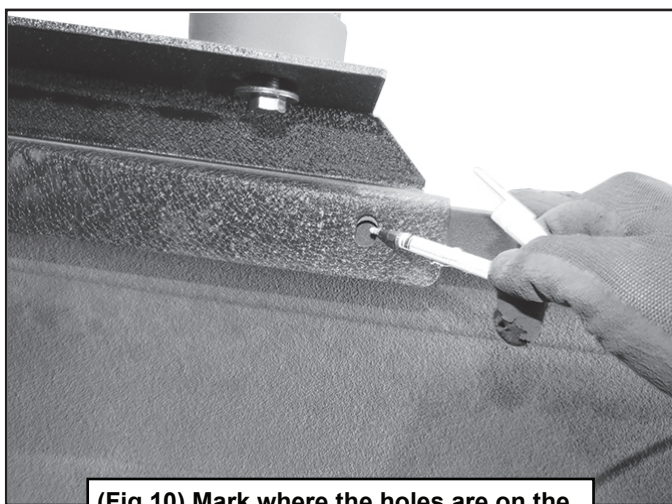
TYGER[®]

STEP 6

With assistance, place the Sports Bar assembly onto the desired position on the bed of the vehicle. The Front Cross Tube should be at least 30mm away from the rear of the cab. Mark the holes in the Base Brackets to determine locations to drill holes in the lip of the bed, (Figs 9-10).



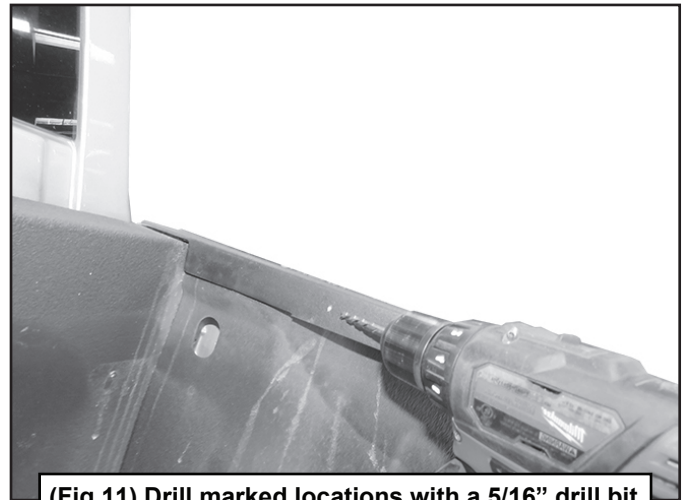
(Fig 9) Front Cross Tube must be at least 30mm from the rear of the cab



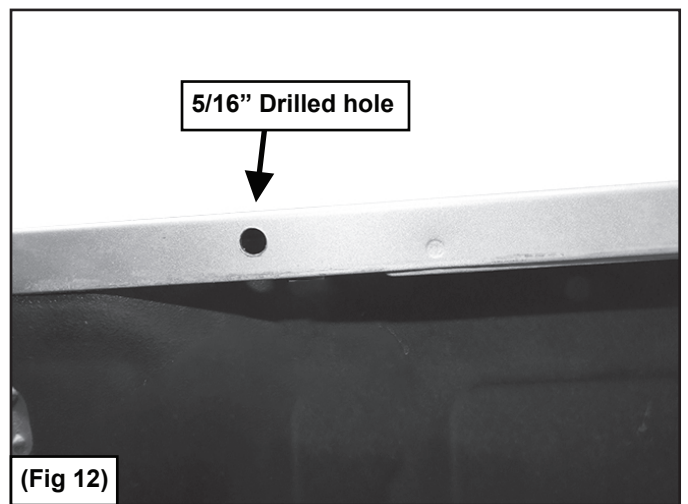
(Fig 10) Mark where the holes are on the top of the bed walls

Temporarily remove the Sports Bar. Using a 5/16" drill bit, drill holes for mounting, (Figs 11-12).

IMPORTANT: Do not drill too closely to the edge of the bed. Repeat this Step for the Driver/Left side. To Prevent rust, apply a thin layer of paint over the exposed metal.



(Fig 11) Drill marked locations with a 5/16" drill bit



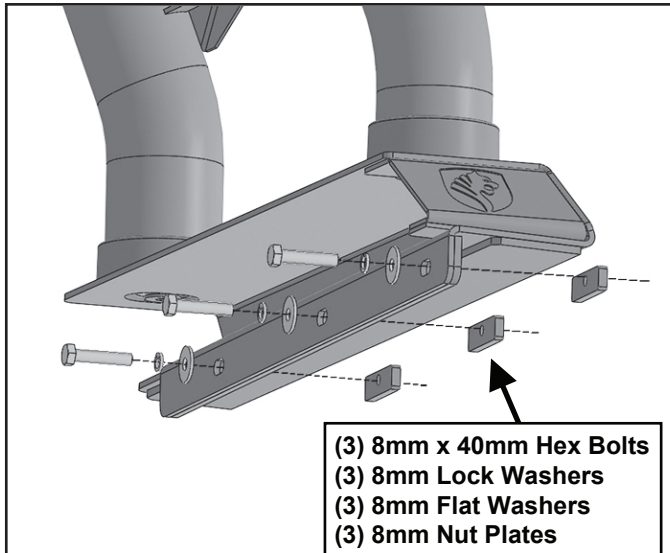
(Fig 12)



TYGER®

STEP 7

Attach Sports Bar assembly to the bed with (3) 8mm x 40mm Hex Bolts, (3) 8mm Lock Nuts, (3) 8mm Flat Washers and (3) 8mm Nut Plates (Behind the top of the bed), (Figs 13-14). Tighten all hardware at this time.



(3) 8mm x 40mm Hex Bolts
(3) 8mm Lock Washers
(3) 8mm Flat Washers
(3) 8mm Nut Plates

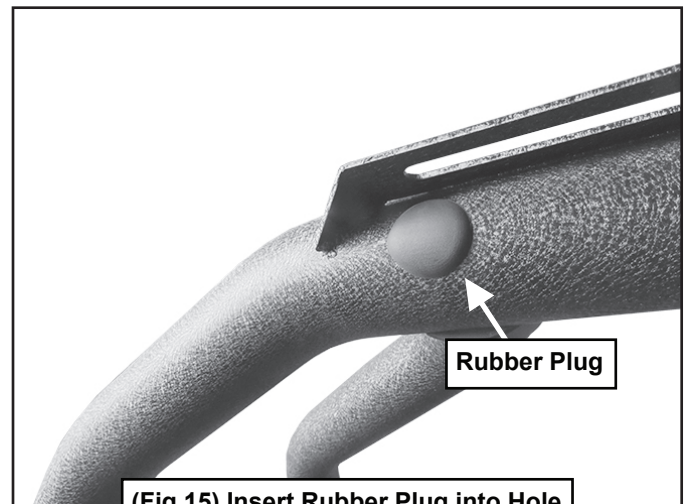
(Fig 13) Passenger/Right Base Bracket to bed installation



(Fig 14) Passenger/Right Base Bracket to bed installed

STEP 8

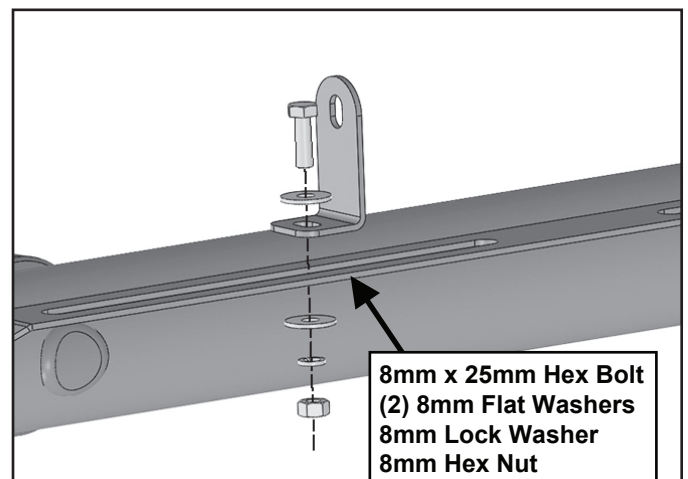
Select (2) Rubber Plugs. Insert Plugs into the front holes of the Front Cross Tube, (Fig 15).



(Fig 15) Insert Rubber Plug into Hole

STEP 9

Select (1) LED Light Bracket. Attach to the top of the Sports Bar with (1) 8mm x 25mm Hex Bolt, (2) 8mm Flat Washers, (1) 8mm Lock Washer and (1) 8mm Hex Nut, (Fig 16).



8mm x 25mm Hex Bolt
(2) 8mm Flat Washers
8mm Lock Washer
8mm Hex Nut

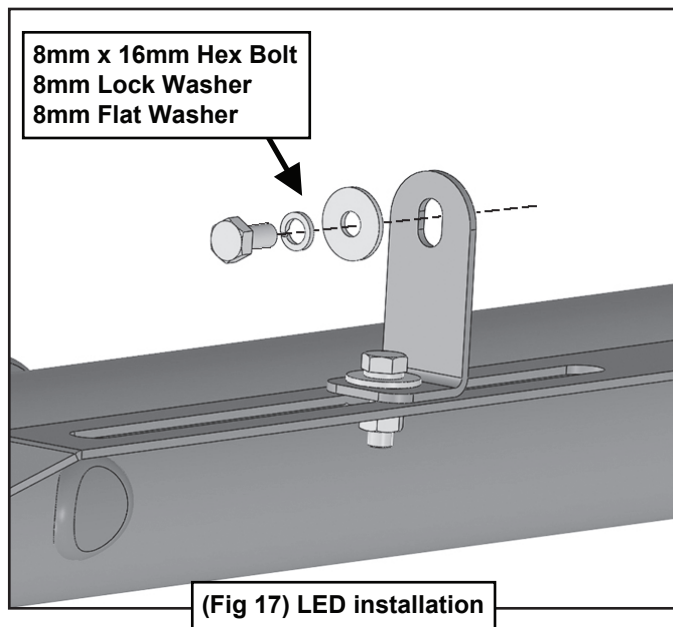
(Fig 16) LED Light Bracket installation



TYGER[®]

STEP 10

Attach LED Light Bar (sold separately) to the LED Light Bracket with (1) 8mm x 16mm Hex Bolt, (1) 8mm Lock Washer and (1) 8mm Flat Washer, (Fig 17).



STEP 11

(OPTIONAL, IF A TONNEAU COVER IS INSTALLED, SKIP THIS STEP) Locate the threaded mounting hole on the inside of the Base Brackets for the Passenger/Right Logo Plate. Attach Plate with one 6mm Combo Bolt, (Figs 18-20).

STEP 12

Do periodic inspections to the installation to make sure that all hardware is secure and tight.

