



TYGER®

TYGER BLADE™

TG-RS9C50248&TG-RS9C50247

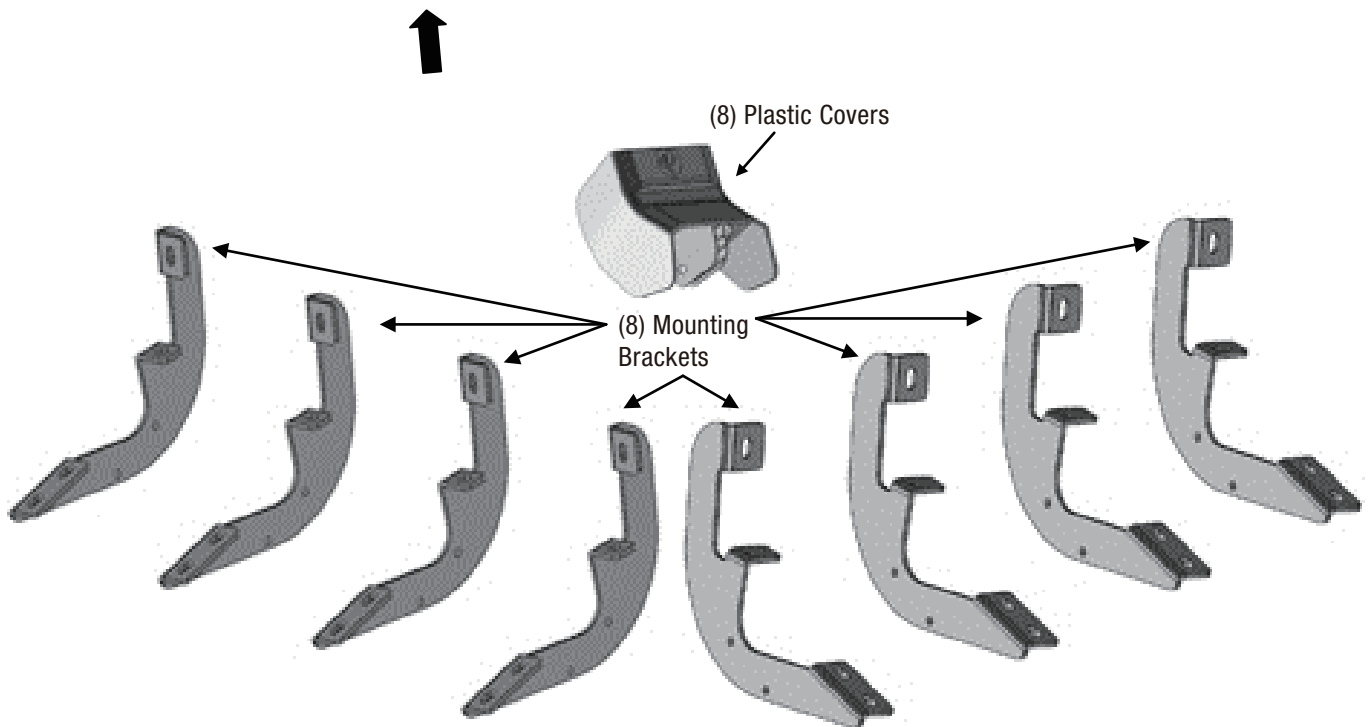
BEFORE INSTALLATION

READ INSTRUCTIONS CAREFULLY BEFORE STARTING INSTALLATION. REMOVE CONTENTS FROM BOX AND VERIFY ALL PARTS ARE PRESENT. FAILURE TO IDENTIFY DAMAGE BEFORE INSTALLATION COULD LEAD TO A REJECTION OF ANY CLAIM. IF MISSING PARTS OR ANY DAMAGE FOUND, PLEASE TAKE A PICTURE FOR THE CLAIM PURPOSE.

Fastener Size	Class 8.8 Torque (ft-lbs)	Class 10.9 Torque (ft-lbs)
6mm	6-7	6-7
8mm	15-16	22-23
10mm	31-32	44-45
12mm	54-55	78-79
14mm	87-88	125-126

PARTS LIST

- x1 Driver/left Sidebar
- x1 Passenger/right Sidebar
- x8 Mounting Brackets
- x8 Plastic Bracket Covers
- x16 Retaining Clips (use with Plastic Covers)
- x16 8-1.25mm x 30mm Hex Bolts
- x16 8-1.25mm x 25mm Combo Bolts
- x16 8mm Lock Washers
- x16 8mm x 24mm x 2mm Flat Washers



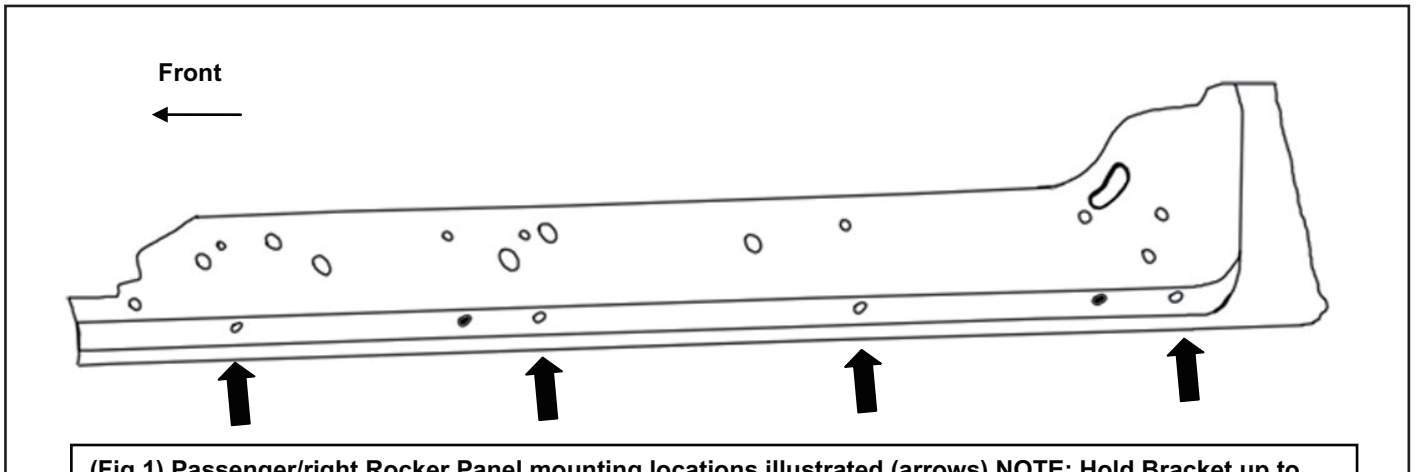


PROCEDURE

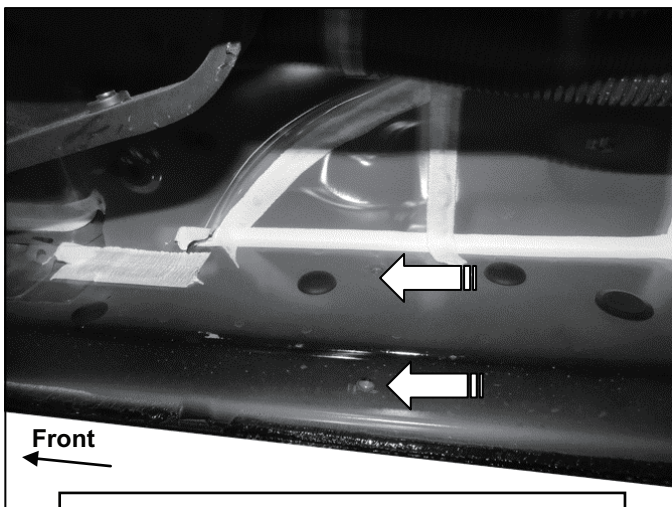
REMOVE CONTENTS FROM BOX. VERIFY ALL PARTS ARE PRESENT. READ INSTRUCTIONS CAREFULLY BEFORE STARTING INSTALLATION. ASSISTANCE IS RECOMMENDED.

STEP 1

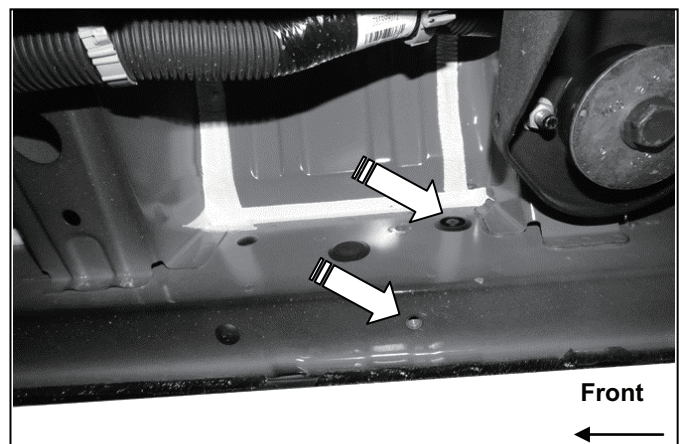
Start the installation under the passenger/right of the vehicle. Locate the 6 plugs along the bottom edge of the body. Mounting Brackets will bolt to the 1st, 3rd, 4th and 6th threaded mounting holes, (Figures 1—6). Remove the plastic plugs from each mounting location. Directly above each threaded insert is a top mounting location on the side of the body panel. Hold a Bracket up in place to help determine the correct mounting holes to use along the body. NOTE: Thread an 8mm Hex Bolt into the threaded inserts to clear paint as required.



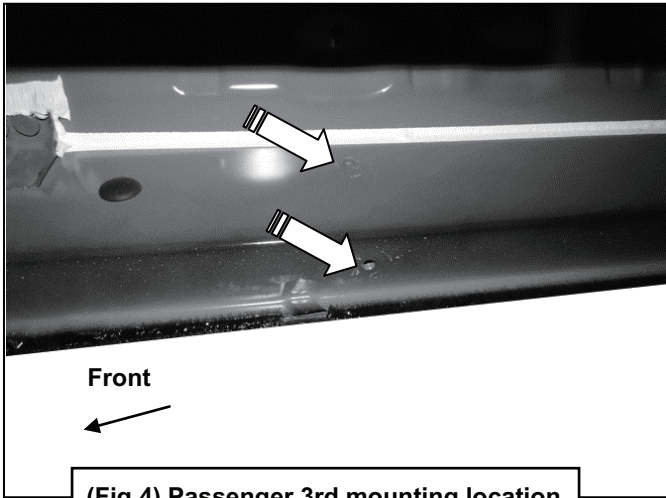
(Fig 1) Passenger/right Rocker Panel mounting locations illustrated (arrows) NOTE: Hold Bracket up to body panel to help determine the correct mounting locations.actory holes in pinch weld 2009-2012 models)



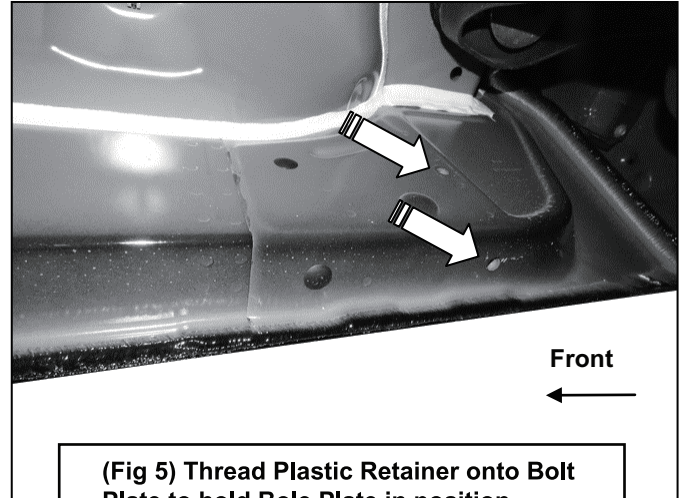
(Fig 2) Passenger front mounting location



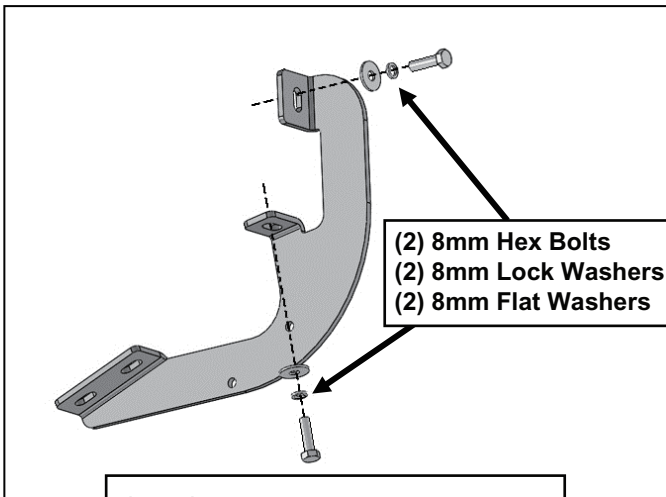
(Fig 3) Thread (1) 8mm Hex Bolt into the nut on the plate. Stop when bolt reaches end of nut as pictured



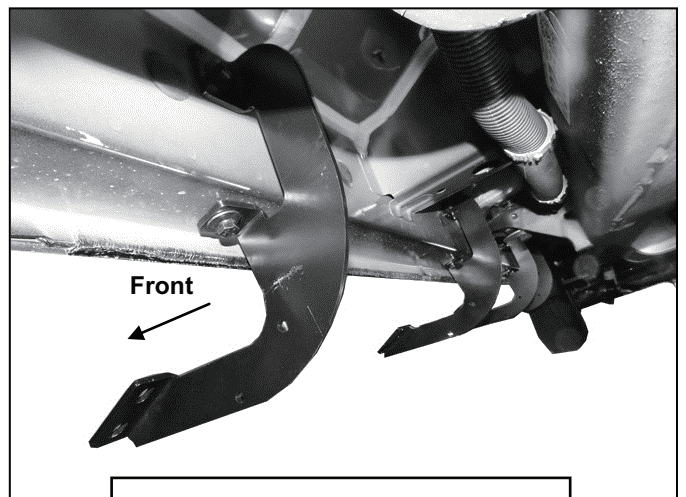
(Fig 4) Passenger 3rd mounting location



(Fig 5) Thread Plastic Retainer onto Bolt Plate to hold Bolt Plate in position.



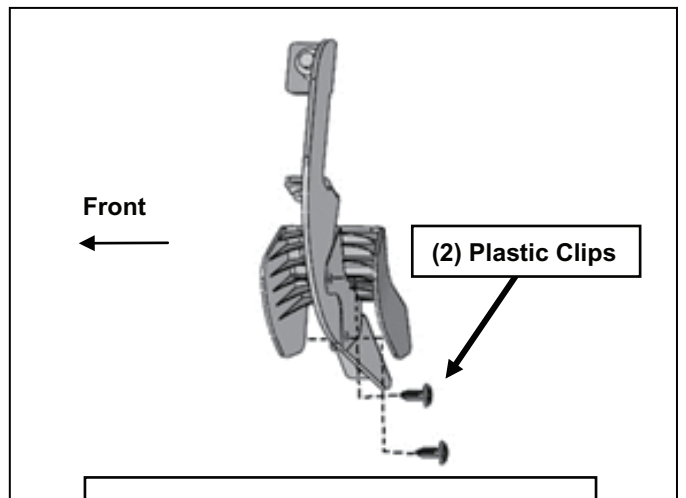
(Fig 6) Mounting Bracket illustration



(Fig 7) Passenger Mounting Bracket

STEP 2

Select (1) Mounting Bracket. Starting at the front, bolt the Mounting Bracket to the factory threaded holes with (2) 8mm Hex Bolts, (2) 8mm Lock Washers and (2) 8mm Flat Washers, (Figures 7 & 8). Do not tighten hardware at this time. Repeat this Step to install remaining (3) Mounting Brackets on the remaining mounting locations along the body panel.



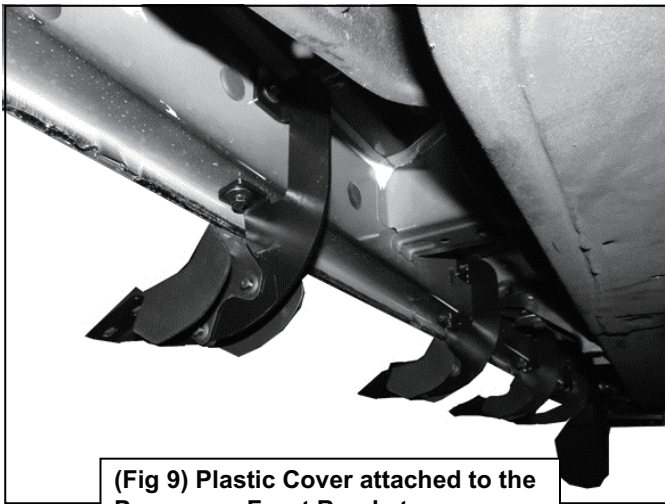
(Fig 8) Plastic Cover attached to Bracket



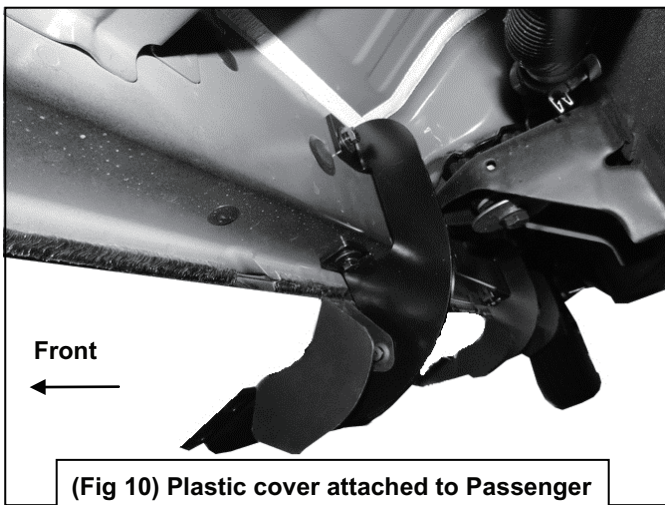
STEP 3

Select (1) Plastic Bracket Cover. Slide Plastic Cover over Bracket, (Figures 9). Line up the (2) mounting holes in the Cover with the side holes in the Bracket. Insert (1) Plastic Clip into each hole and push center pin to expand Clip. Repeat this Step for (3) remaining plastic covers, (Figures 9—13).

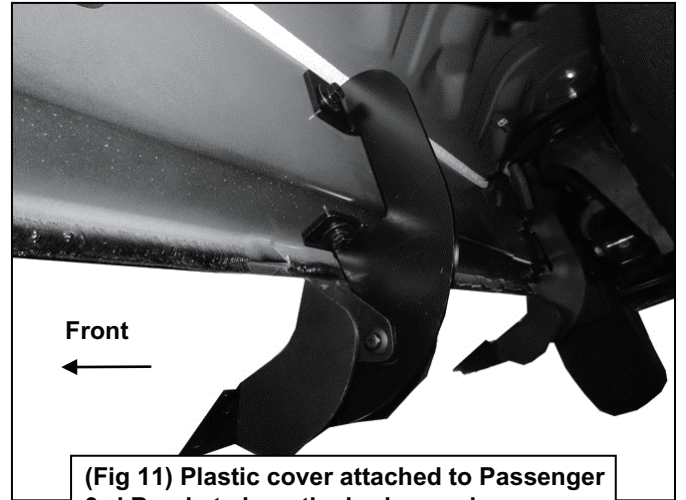
Notes: please install all plastic covers onto the brackets before installing the side bar.



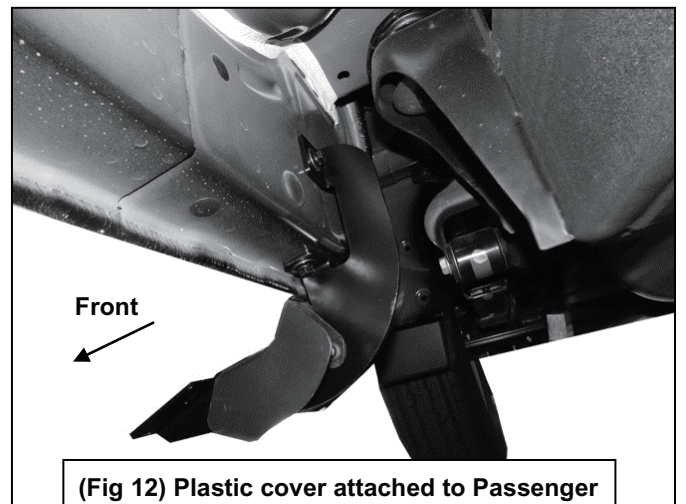
(Fig 9) Plastic Cover attached to the Passenger Front Bracket



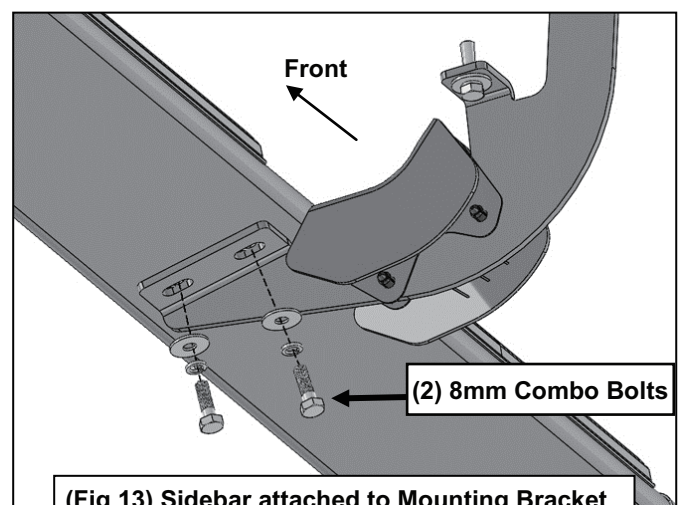
(Fig 10) Plastic cover attached to Passenger 2nd Bracket along the body panel



(Fig 11) Plastic cover attached to Passenger 3rd Bracket along the body panel



(Fig 12) Plastic cover attached to Passenger Rear Bracket



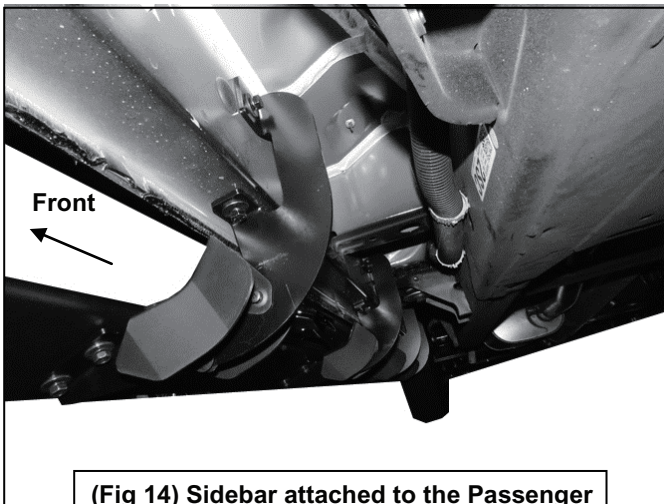
(Fig 13) Sidebar attached to Mounting Bracket



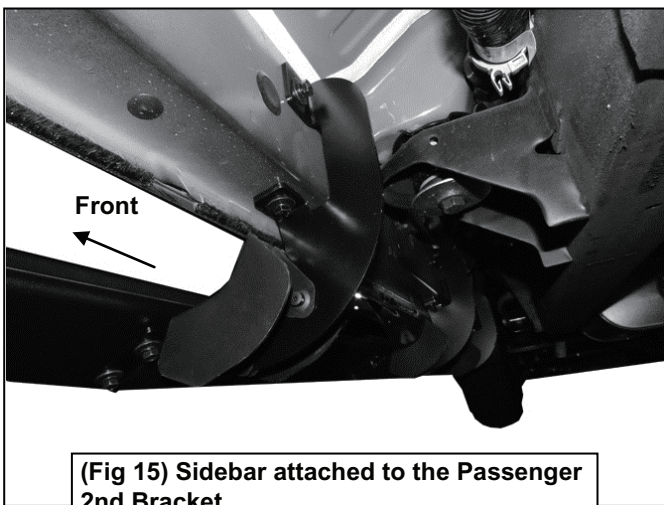
TYGER[®]

STEP 4

Select the passenger/ right Sidebar. Use the illustration above to help determine the correct Sidebar. Place the Sidebar on top of the Brackets. **IMPORTANT:** Do not slide, (front to back), the Sidebar on the Brackets or damage to the finish may result.



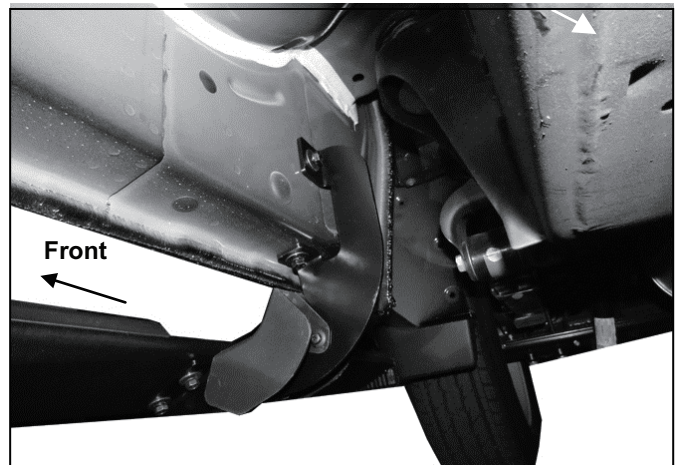
(Fig 14) Sidebar attached to the Passenger Front Bracket



(Fig 15) Sidebar attached to the Passenger 2nd Bracket



(Fig 16) Sidebar attached to the Passenger 3rd Bracket



(Fig 17) Sidebar attached to the Passenger Rear Bracket