



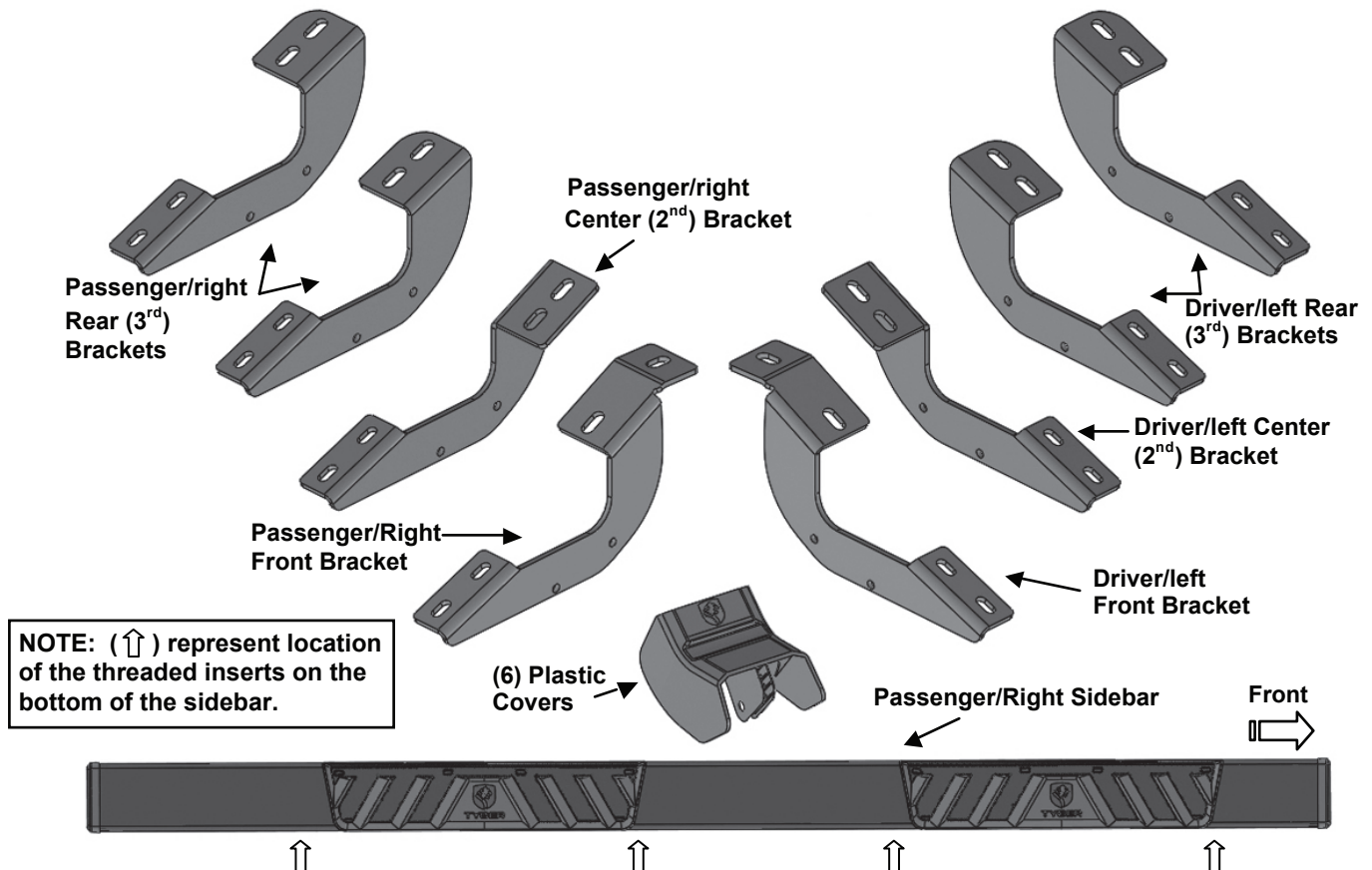
RISER™

TG-RS5T50177 / TG-RS5T50178

PARTS LIST

- | | | |
|---|--|-----------------------------------|
| x1 Driver/left side Sidebar | x1 Passenger/Right Center Mounting Bracket | x16 8-1.25mm x 30mm Hex Bolts |
| x1 Passenger/right side Sidebar | x2 Driver/Left Rear Mounting Bracket | x16 8mm x 24mm x 2mm Flat Washers |
| x1 Driver/Left Front Mounting Bracket | x2 Passenger/Right Rear Mounting Bracket | x16 8mm Lock Washers |
| x1 Passenger/Right Front Mounting Bracket | x8 Plastic Bracket Covers | x16 8-1.25mm x 25mm Combo Bolts |
| x1 Driver/Left Center Mounting Bracket | x16 Retaining Clips | |

NOTE: The Center Brackets have the mounting tabs facing opposite direction while the Rear Brackets have the mounting tabs facing the same direction. When installed correctly, all lower tabs will face towards the rear.





BEFORE INSTALLATION

READ INSTRUCTIONS CAREFULLY BEFORE STARTING INSTALLATION. REMOVE CONTENTS FROM BOX AND VERIFY ALL PARTS ARE PRESENT. FAILURE TO IDENTIFY DAMAGE BEFORE INSTALLATION COULD LEAD TO A REJECTION OF ANY CLAIM. IF MISSING PARTS OR ANY DAMAGE FOUND, PLEASE TAKE A PICTURE FOR THE CLAIM PURPOSE.

WARNING

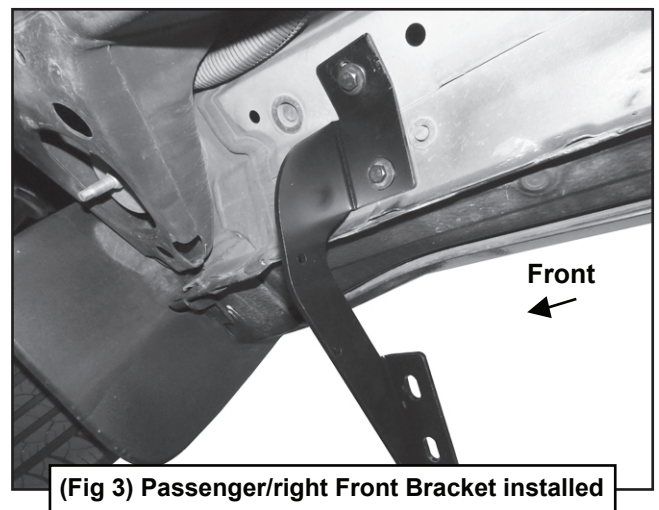
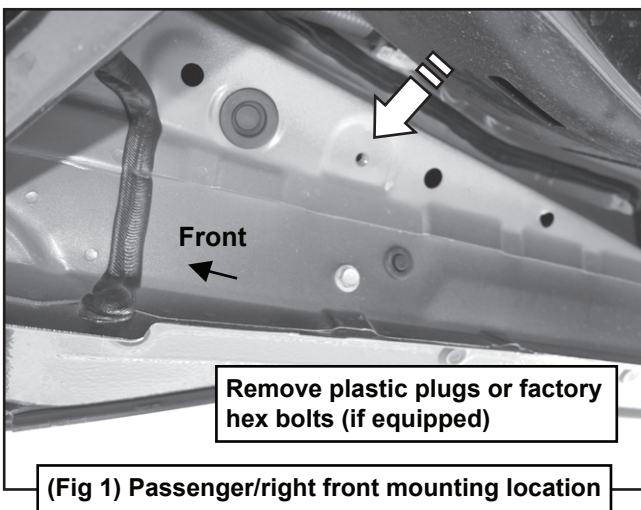
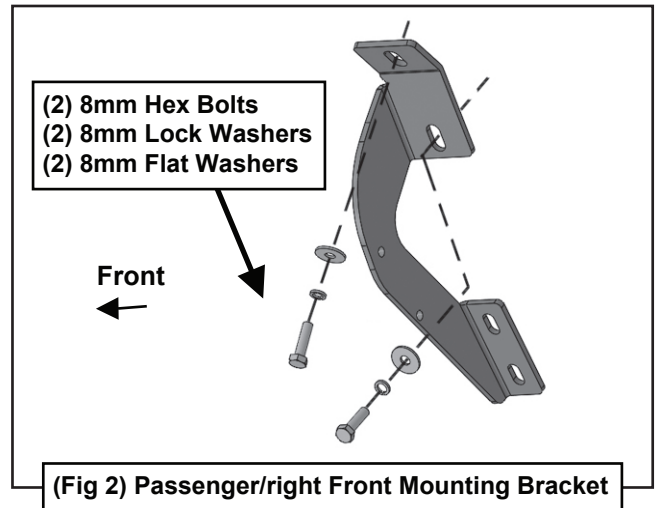
TO PROTECT YOUR INVESTMENT, WAX THIS PRODUCT AFTER INSTALLING. REGULAR WAXING IS RECOMMENDED TO ADD A PROTECTIVE LAYER OVER THE FINISH. DO NOT USE ANY TYPE OF POLISH OR WAX THAT MAY CONTAIN ABRASIVES THAT COULD DAMAGE THE FINISH. DO NOT USE POLISH OR WAX THAT REQUIRES TO BE REMOVED BY MEANS OF BUFFING. THIS TYPE OF WAX IS COMMONLY USED AT CAR WASH FACILITIES.

NOTE

Use illustration to identify brackets and running boards.

STEP 1

Starting on the passenger side, front of the vehicle, remove the plastic plugs or hex bolts covering the (2) threaded holes in the body panel, (Fig 1). Select the passenger side Front Mounting Bracket, (Fig 2). Attach the Bracket to the vehicle using the included (2) 8mm Hex Bolts, (2) 8mm Lock Washers and (2) 8mm Flat Washers, (Figs 2-3). Do not tighten hardware at this time.





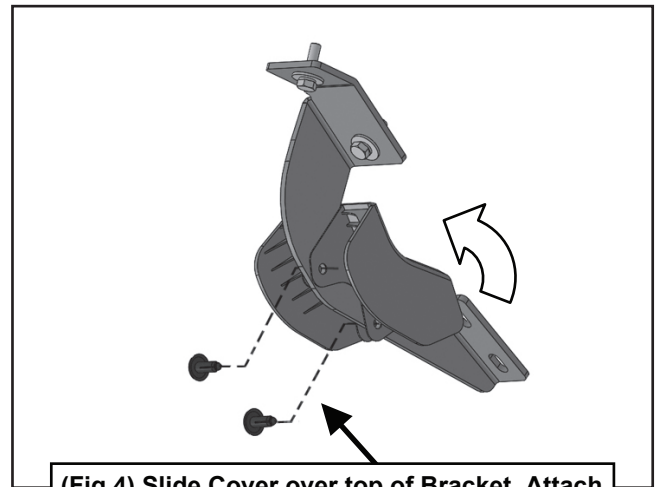
STEP 2

Select (1) Plastic Bracket Cover and (2) Retaining Clips. Slide the Cover over the passenger/right front Bracket. Line up the (2) mounting holes in the Cover with the holes in the Bracket. Insert the Clip into the holes and push center pin to expand Clip, (Figs 4-5). Repeat Step for all Cover installations. Notes please install all plastic covers onto the bracket before installing the side bar.

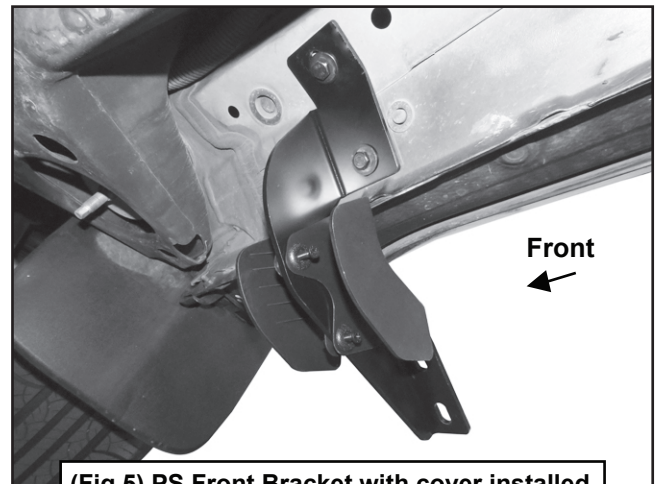
STEP 3

Next, move to the center mounting location, (Fig 6).

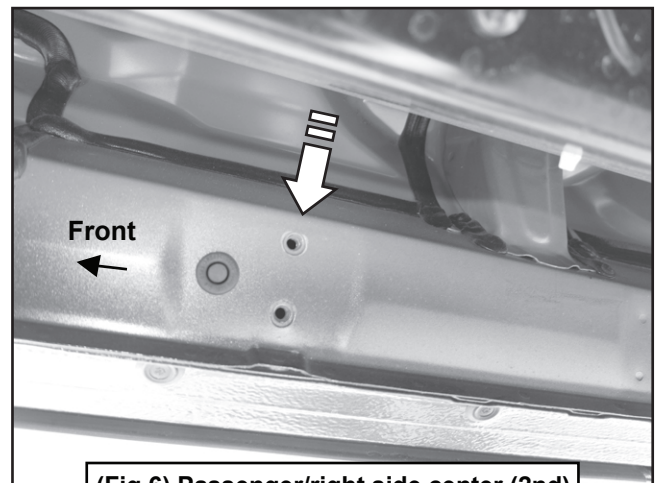
NOTE: Installation will use the 1st, 2nd 3rd and 4th mounting locations for the Mounting Brackets.



(Fig 4) Slide Cover over top of Bracket. Attach Cover to Bracket with (2) Retaining Clips



(Fig 5) PS Front Bracket with cover installed



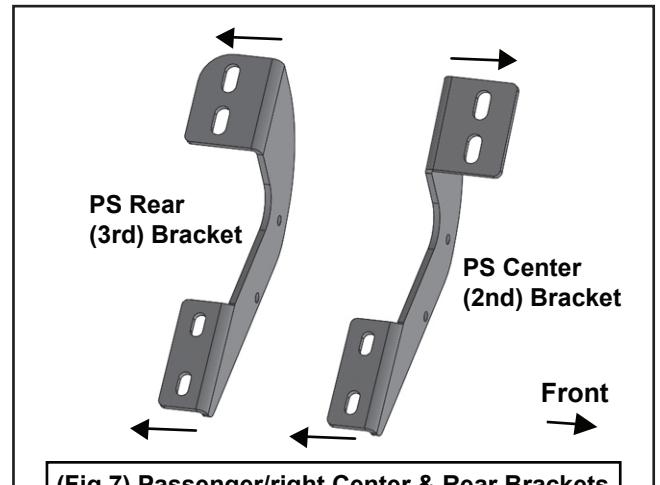
(Fig 6) Passenger/right side center (2nd) mounting location



STEP 4

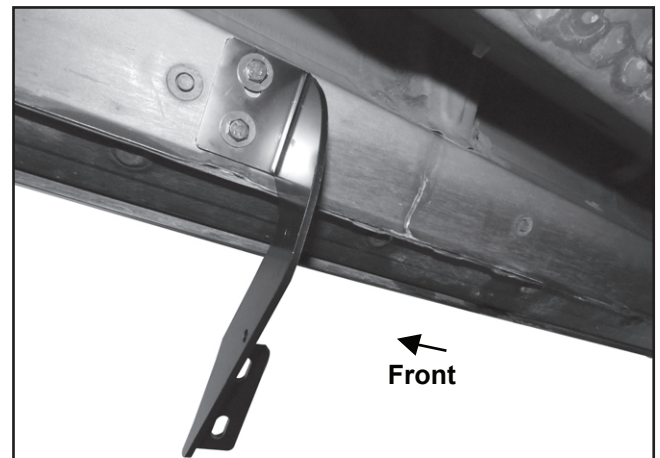
Select the passenger side Center (2nd) Mounting Bracket, (Fig 7).

IMPORTANT: The Center (2nd) and Rear (3rd) Brackets look similar but each one is unique. Use the illustration above and Fig 7 to help identify each Bracket. Repeat Steps 1-2 to install the Passenger side 2nd Bracket, (Figs 8-9).

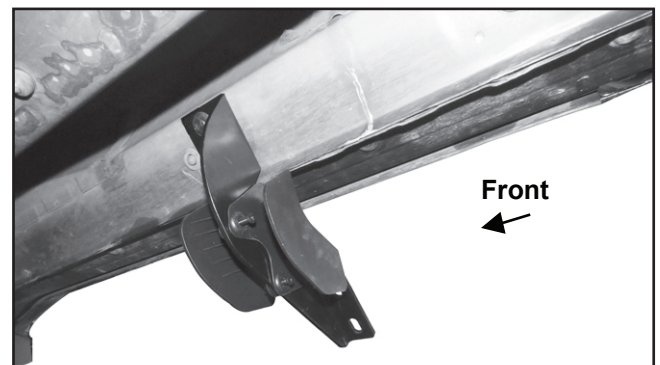


(Fig 7) Passenger/right Center & Rear Brackets

NOTE: The Center (2nd) Bracket has the mounting tabs facing opposite direction while the Rear (3rd) Bracket has the mounting tabs facing the same direction. When installed correctly, all lower tabs will face towards the rear.



(Fig 8) Passenger/right Center (2nd) Bracket installed



(Fig 9) PS Center (2nd) Bracket with Cover installed

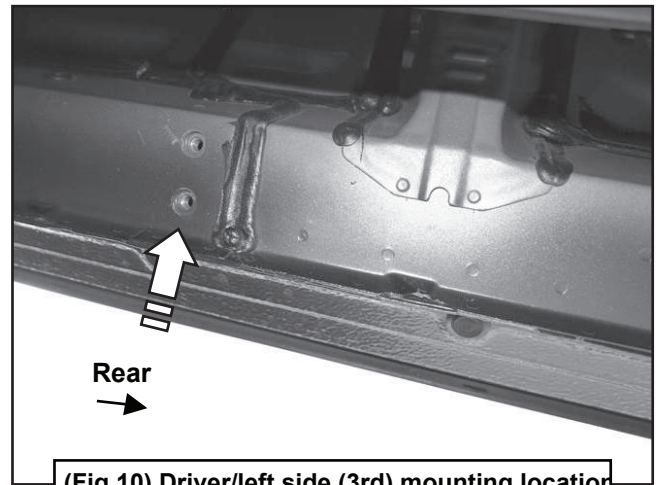


STEP 5

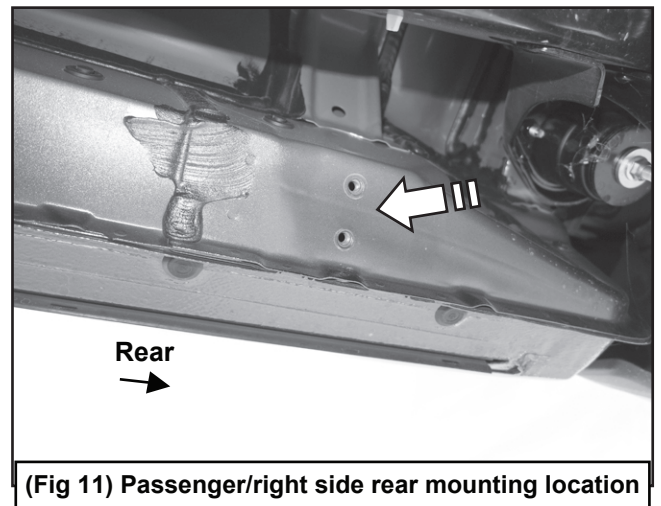
Move along to the 3rd mounting location, (Fig 10). Repeat Steps 1-2 to install (1) Passenger/right side Rear (3rd) Mounting Bracket.

STEP 6

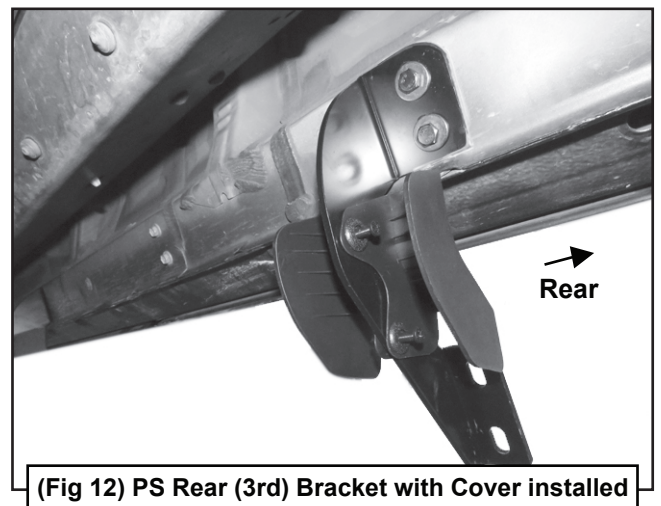
Continue to the last mounting location at the back of the cab, (Fig 11). Repeat Steps 1-2 to install (1) Passenger side Rear Bracket, (Fig 12).



(Fig 10) Driver/left side (3rd) mounting location



(Fig 11) Passenger/right side rear mounting location



(Fig 12) PS Rear (3rd) Bracket with Cover installed



STEP 7

Once all (4) Mounting Brackets have been fully installed, carefully unwrap the Passenger/right Sidebar. Use the illustration above to help determine the correct Sidebar. Place the Sidebar on top of the (4) Mounting Brackets.

STEP 8

Attach the Sidebar to the Mounting Brackets with the included (8) 8mm Combo Bolts, (Figs 13-14). Do not tighten at this time.

STEP 9

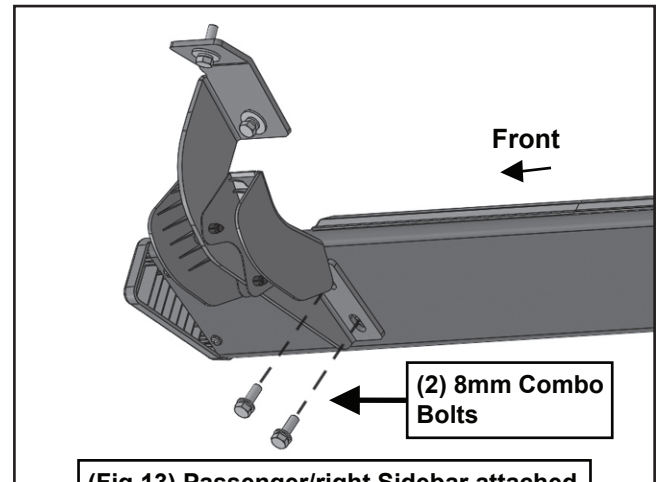
Level and adjust the Sidebar as desired and tighten all hardware.

STEP 10

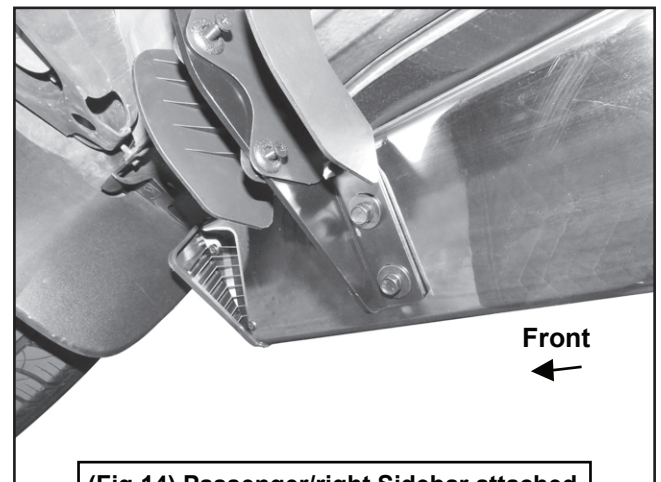
Repeat Steps 2-9 for Driver/left Sidebar installation.

STEP 11

Do periodic inspections to the installation to make sure that all hardware is secure and tight.



(Fig 13) Passenger/right Sidebar attached to Front Bracket illustrated



(Fig 14) Passenger/right Sidebar attached to PS Front Bracket