



# RISER®

TG-RS5D50068

## BEFORE INSTALLATION

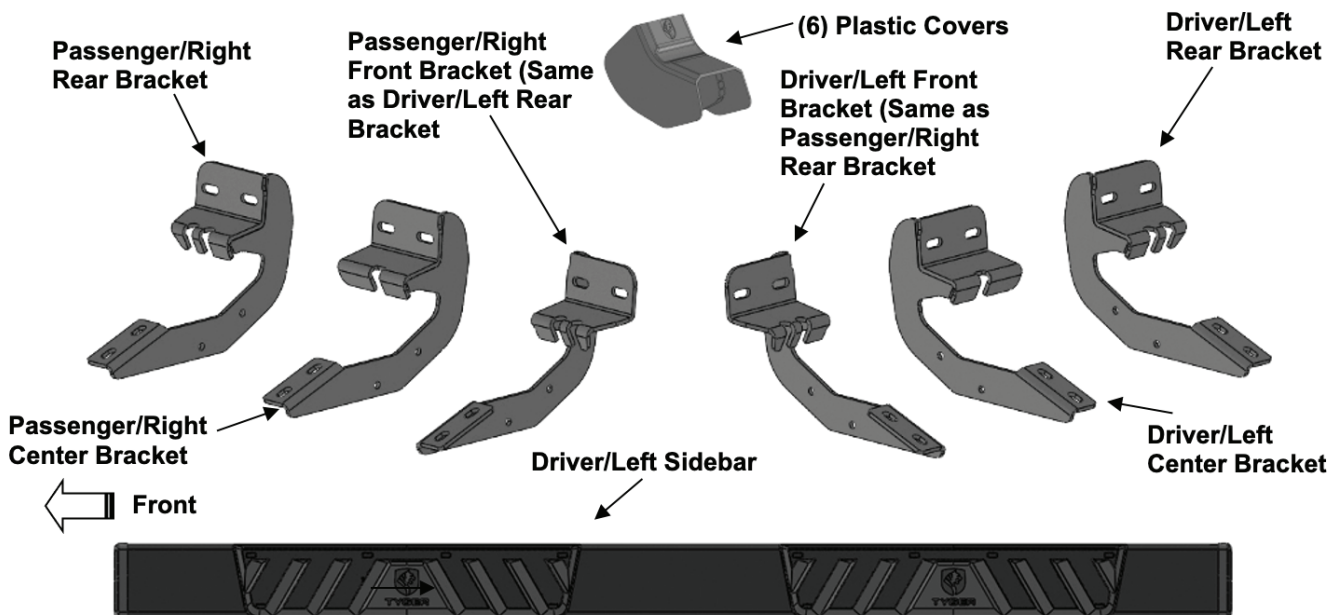
READ INSTRUCTIONS CAREFULLY BEFORE STARTING INSTALLATION. REMOVE CONTENTS FROM BOX AND VERIFY ALL PARTS ARE PRESENT. FAILURE TO IDENTIFY DAMAGE BEFORE INSTALLATION COULD LEAD TO A REJECTION OF ANY CLAIM. IF MISSING PARTS OR ANY DAMAGE FOUND, PLEASE TAKE A PICTURE FOR THE CLAIM PURPOSE.

## TORQUE VALUES

Fastener Size	Class 8.8 Torque (ft-lbs)	Class 10.9 Torque (ft-lbs)
6mm	6-7	6-7
8mm	15-16	22-23
10mm	31-32	44-45
12mm	54-55	78-79
14mm	87-88	125-126

## PARTS LIST

- x1 Driver/Left Sidebar
- x1 Passenger/Right Sidebar
- x2 Driver/Left Front/Passenger/Right Rear Mounting Brackets
- x2 Driver/Left Rear/Passenger/Right Front Mounting Brackets
- x1 Driver/Left Center Mounting Bracket
- x1 Passenger/Right Center Mounting Bracket
- x6 Plastic Covers
- x12 Plastic Clips
- x12 8-1.25mm x 30mm Hex Bolts
- x12 8-1.25mm x 25mm Combo Hex Bolts
- x6 8mm Bolt/Nut Plates
- x12 8mm x 24mm OD x 2mm Flat Washers
- x12 8mm Lock Washers
- x6 8mm Hex Nuts
- x6 8mm Plastic Retainers
- x10 6-1.0mm x 25mm Button Head Bolts
- x20 6mm x 18mm OD x 1.6mm Flat Washers
- x10 6mm Flange Nuts
- x4 16mm x 60mm Spacer Plates
- x2 16mm x 34mm Spacer Plates
- x1 4mm Hex Wrench





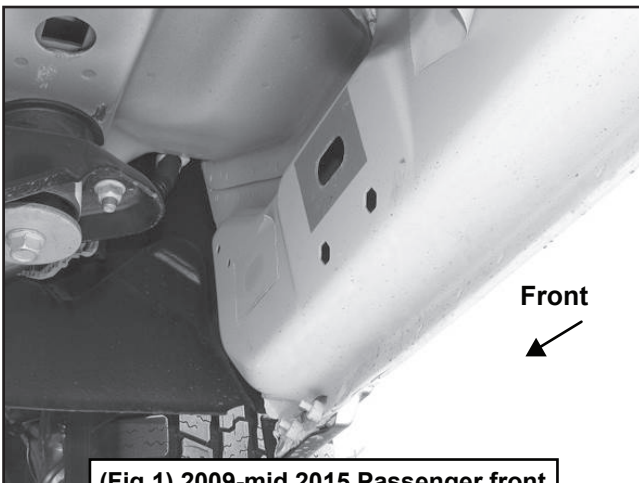
## PROCEDURE:

REMOVE CONTENTS FROM BOX. VERIFY ALL PARTS ARE PRESENT. READ INSTRUCTIONS CAREFULLY BEFORE STARTING INSTALLATION. DRILLING MAY BE REQUIRED. REMOVE CONTENTS FROM BOX. VERIFY ALL PARTS ARE PRESENT. READ INSTRUCTIONS CAREFULLY BEFORE STARTING INSTALLATION. DRILLING MAY BE REQUIRED.

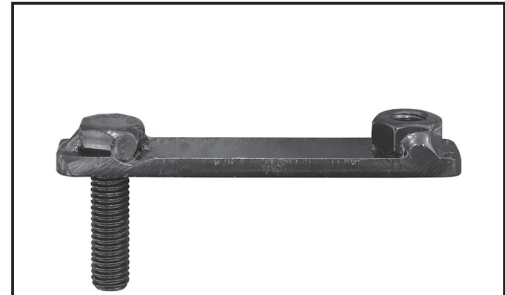
## STEP 1

Starting at the passenger side-front of the vehicle, remove the sealing tape covering the factory holes in the side of the inner panel (Fig 1).

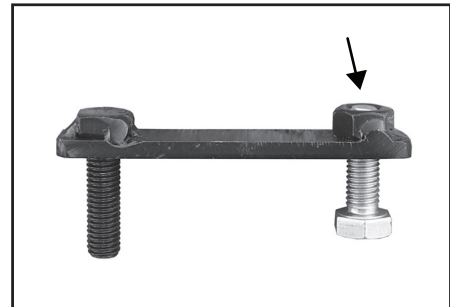
### Passenger/Right Side Installation Pictured



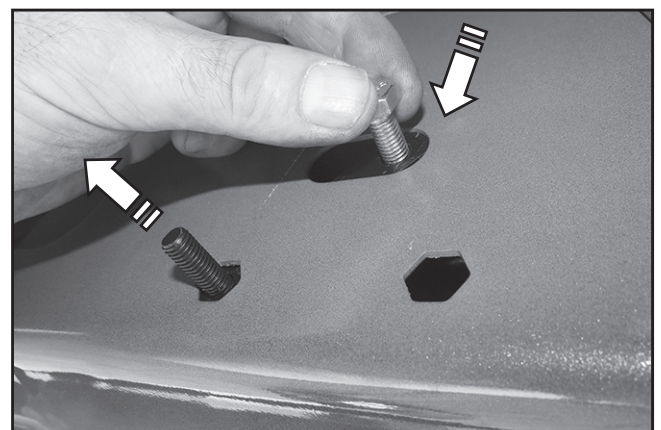
(Fig 1) 2009-mid 2015 Passenger front mounting location (No factory holes in pinch weld 2009-2012 models)



(Fig 2) 8mm Bolt-8mm Nut Plate, NOTE: 8mm Bolt-Nut Plate is not required on models with threaded inserts



(Fig 3) Thread (1) 8mm Hex Bolt into the nut on the plate. Stop when bolt reaches end of nut as pictured



(Fig 4) Use the loose Hex Bolt as a handle. Insert the Bolt Plate into the oval hole and feed the threaded end out either factory hex shaped hole. IMPORTANT: DO NOT let go of the hex bolt until after Plastic Retainer has been threaded onto bolt (Fig 5)

## STEP 2

Determine the correct procedure to attach the driver side front Bracket for your model/year:

### Models without factory threaded inserts in body panel:

a. Select (1) 8mm Bolt/nut Plate (Fig 2). Partially thread an 8mm Hex Bolt onto the threaded end of the Nut Plate (Fig 3). Thread the Hex Bolt in until it is flush with the welded nut. Use the Hex Bolt as a handle and insert the Bolt and Nut Plate into the oval hole (Fig 4). Feed the threaded end of the Bolt Plate through one of the hex shaped factory holes.

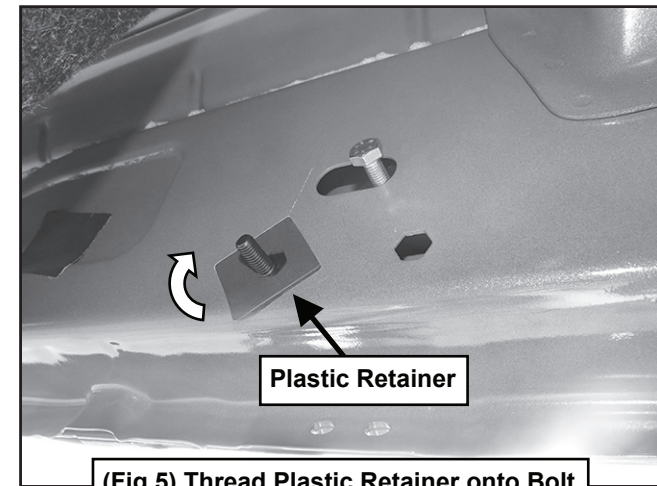


b. Thread (1) 8mm Plastic Retainer onto the threaded end and down tight against the body panel (Fig 5).

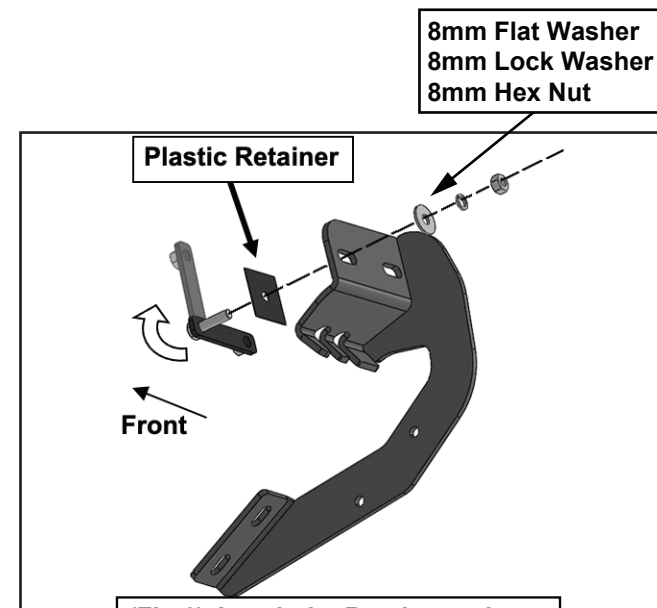
**NOTE:** The Plastic Retainer is designed to keep the Bolt/Nut Plate from falling into the body panel and to aid in Bracket installation.

c. Select the Passenger/right Front Bracket (Fig 6). Attach the Bracket to the threaded end of the Bolt Plate with (1) 8mm Flat Washer, (1) 8mm Lock washer and (1) 8mm Hex Nut (Fig 7).

**IMPORTANT:** Passenger/right Front Bracket is the same as the Driver/left Center and Rear Brackets. DO NOT tighten hardware at this time.

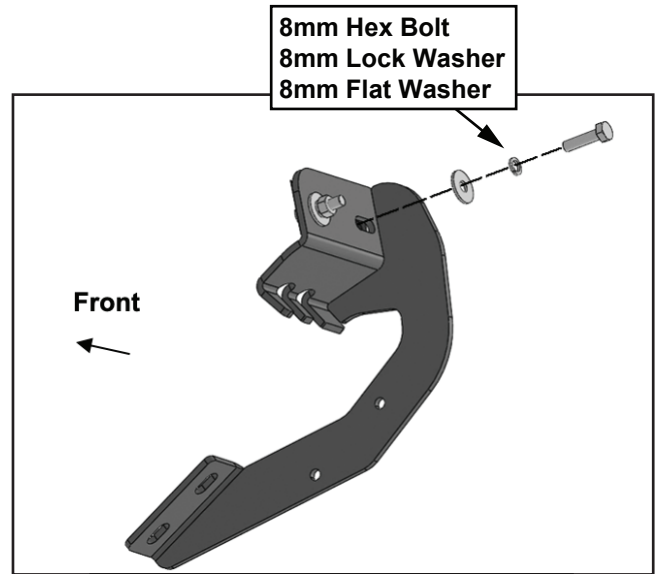


(Fig 5) Thread Plastic Retainer onto Bolt Plate to hold Bolt Plate in position.



(Fig 6) Attach the Bracket to the threaded bolt on the Bolt/Nut Plate

d. Remove the 8mm Hex Bolt from the nut on the Bolt Plate from **STEP 3A**. Rotate the Bolt on the Bolt Plate until the threaded nut lines up with the remaining hole in the Mounting Bracket and body panel (Fig 7). Attach the Bracket to the threaded Nut Plate with (1) 8mm x 30mm Hex Bolt, (1) 8mm Lock Washer and (1) 8mm Flat Washer (Fig 7). DO NOT tighten hardware.



(Fig 7) Attach Bracket to the threaded hole in the Bolt/Nut Plate

#### Models with factory threaded inserts:

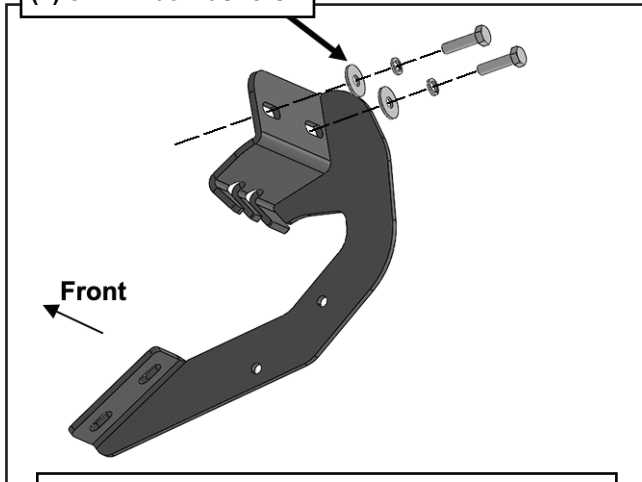
a. Attach the Passenger/right Front Bracket to the threaded inserts with (2) 8mm x 30mm Hex Bolts, (2) 8mm Lock Washers and (2) 8mm Flat Washer (Figs 8 & 9). Leave hardware loose at this time.



(Fig 8) Passenger side front mid 2015-on, models with factory installed threaded inserts



- (2) 8mm Hex Bolts
- (2) 8mm Lock Washers
- (2) 8mm Flat Washers



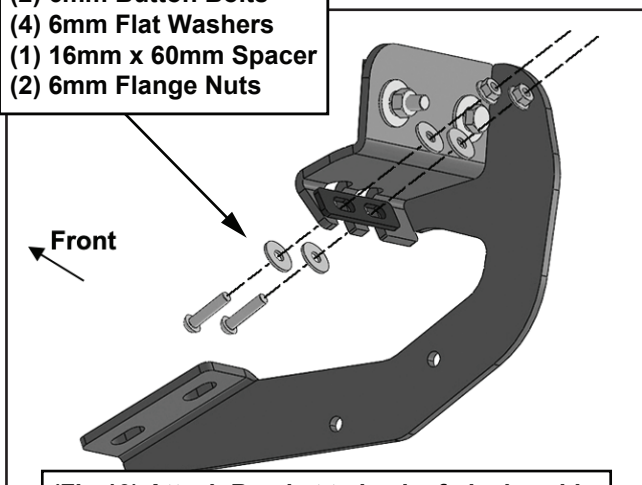
(Fig 9) Passenger/right Front Mounting Bracket illustrated for models with threaded inserts

## STEP 3

Next, attach the Bracket to the back of the pinch weld with (2) 6mm Button Head Bolts, (4) 6mm Flat Washers, (1) 16mm x 60mm Spacer Plate and (2) 6mm Flange Nuts (Fig 10). DO NOT fully tighten hardware at this time.

**IMPORTANT:** 2009-12 models not equipped with factory holes will require drilling through the pinch weld to fully attach Bracket. DO NOT drill through pinch weld at this time (see **STEP 8**).

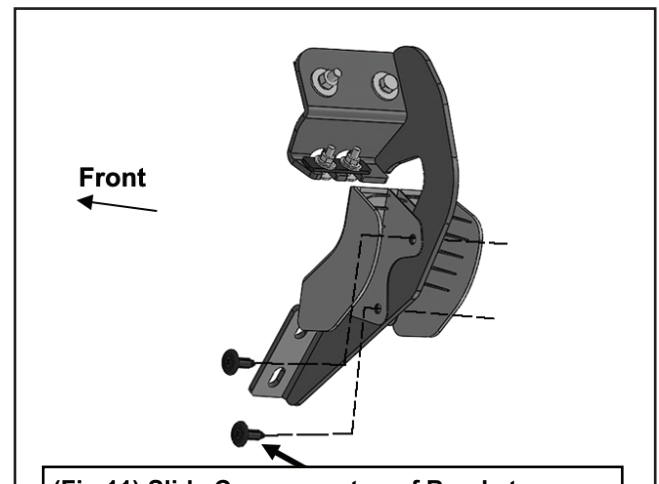
- (2) 6mm Button Bolts
- (4) 6mm Flat Washers
- (1) 16mm x 60mm Spacer
- (2) 6mm Flange Nuts



(Fig 10) Attach Bracket to back of pinch weld (models with factory holes in pinch weld only)

## STEP 4

Select (1) Plastic Bracket Cover and (2) Retaining Clips. Slide the Cover over the passenger/right front Bracket. Line up the (2) mounting holes in the Cover with the holes in the Bracket. Insert the Clip into the holes and push center pin to expand Clip (Fig 11). Repeat this STEP for all Cover installations.



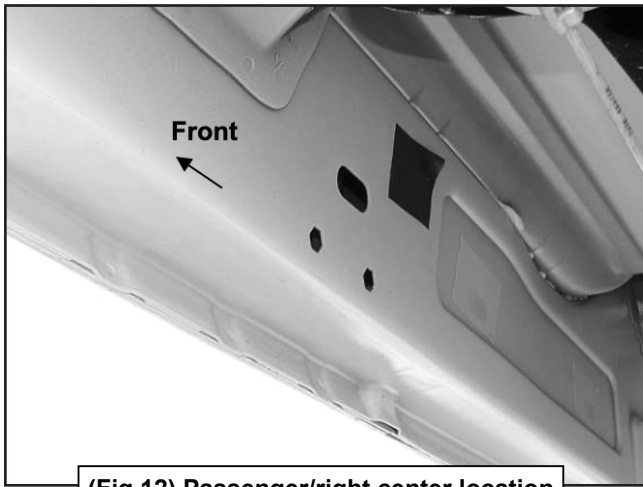
(Fig 11) Slide Cover over top of Bracket. Attach Cover to Bracket with (2) Retaining Clips

**IMPORTANT:** 2009-2012 models without holes in pinch weld will require drilling 1/4" holes through pinch weld to attach bracket. Do complete installation of sidebars first, level sidebar before drilling holes for bracket.

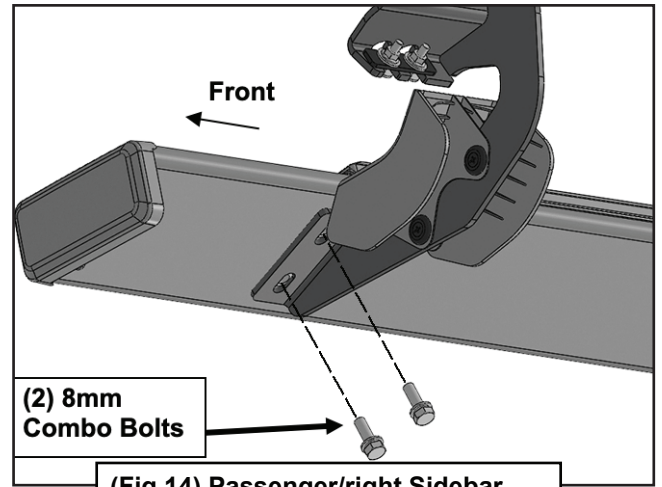
## STEP 5

Move along the side of the body panel to the center mounting location (Fig 12). Repeat the appropriate **STEPS 1-4** to install the Passenger/Right Center Bracket.

**IMPORTANT:** The Center Mounting Bracket will use the 16mm x 34mm Spacer Plate.



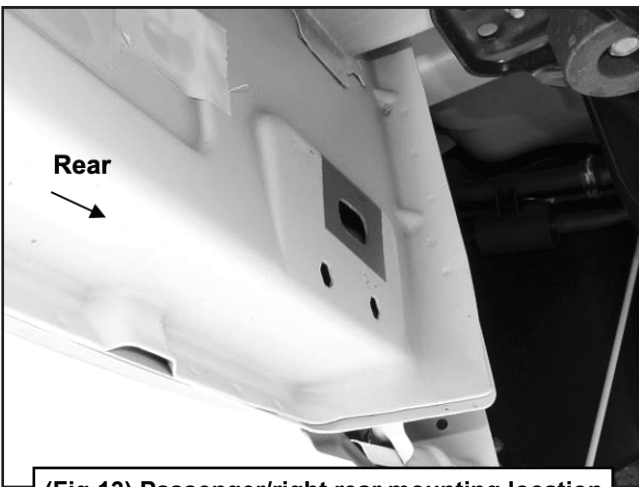
(Fig 12) Passenger/right center location



(Fig 14) Passenger/right Sidebar attached to Front Bracket illustrated

## STEP 6

Move to the rear location (Fig 13). Repeat **STEP 5** to install the Rear Mounting Bracket. Leave hardware loose.



(Fig 13) Passenger/right rear mounting location

## STEP 7

Select the Passenger/right Sidebar. Carefully position the Sidebar onto the (3) Mounting Brackets.

**IMPORTANT:** DO NOT slide, (front to back or rotate), the Sidebar on the Brackets or damage to the finish on the Sidebar may result. Attach the Sidebar to the (3) Brackets with (6) 8mm Combination Hex Bolts (Fig 14). DO NOT fully tighten at this time.

## STEP 8

Properly level and adjust the Sidebar and fully tighten all hardware

### 2009-12 models requiring drilling through pinch trim:

- Level the Sidebar to the vehicle. Make sure all (3) Brackets are tight against the bottom of the body panel and tighten all mounting hardware.
- Mark the location of the slots onto the pinch weld.
- Drill (2) 1/4" holes through the pinch weld for each Bracket.

**IMPORTANT:** DO NOT drill too close to the bottom edge of the pinch weld. Drill the holes in the center of the marked slots.

- Repeat **STEP 3** to attach the Brackets to the drilled holes in the pinch weld. Check for level then fully tighten all hardware.

## STEP 9

Repeat **STEPS 1-8** for driver/left Sidebar installation.

## STEP 10

Do periodic inspections to the installation to make sure that all hardware is secure and tight.