



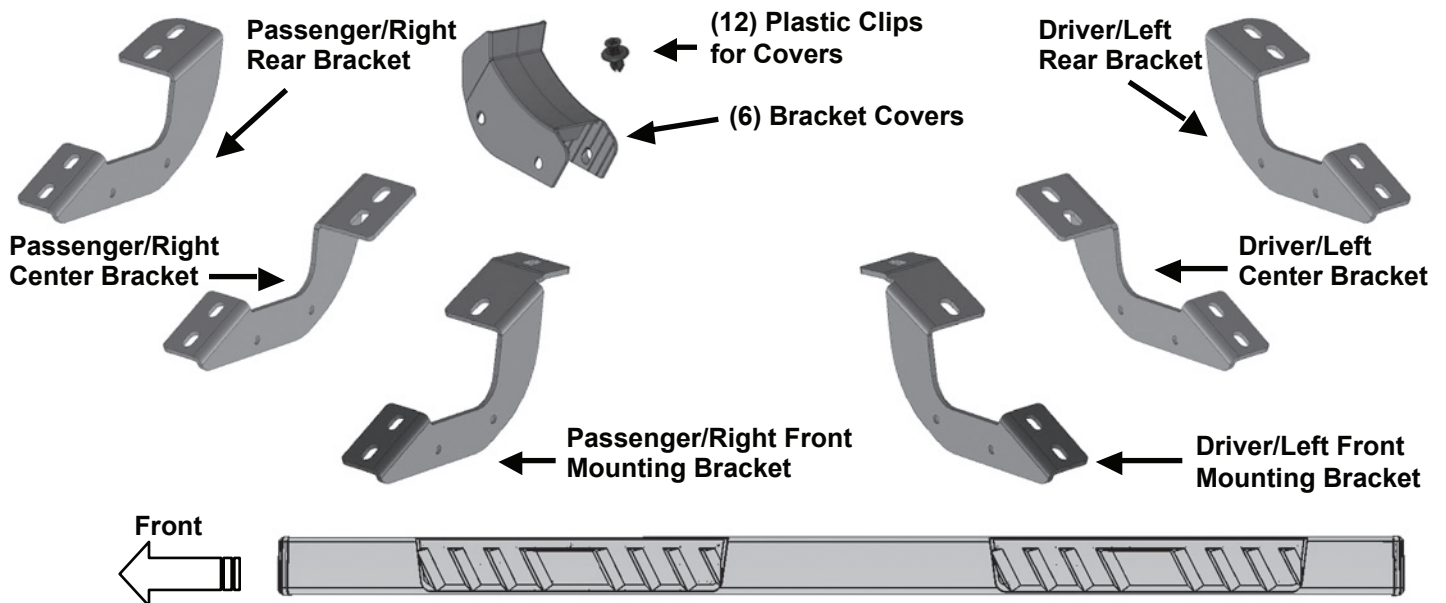
TYGER[®]

TYGER RISER[™]

Part#: TG-RS2T40168
FOR 2007-UP TUNDRA DOUBLE CAB

Parts List

- | | | |
|---|--|-------------------------------|
| x1 Driver/left Side Step | x1 Passenger/Right Center Mounting Bracket | x12 8mm Lock Washers |
| x1 Passenger/right Side Step | x1 Driver/Left Rear Mounting Bracket | x12 8-1.25mm x 30mm Hex Bolts |
| x1 Driver/Left Front Mounting Bracket | x1 Passenger/Right Rear Mounting Bracket | x12 Plastic Clips |
| x1 Passenger/Right Front Mounting Bracket | x12 8-1.25mm x 25mm Combination Bolts | x6 Plastic Covers |
| x1 Driver/Left Center Mounting Bracket | x12 8mm x 24mm OD x 2mm Flat Washers | |





Before Installation

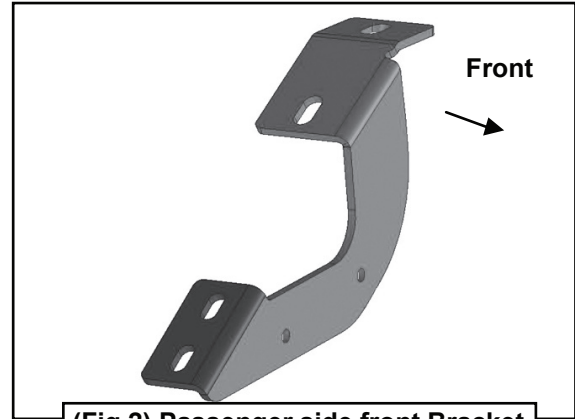
REMOVE CONTENTS FROM BOX. VERIFY ALL PARTS ARE PRESENT. READ INSTRUCTIONS CAREFULLY. USE ILLUSTRATION TO PROPERLY IDENTIFY BRACKETS AND SIDEBARS.

STEP 1

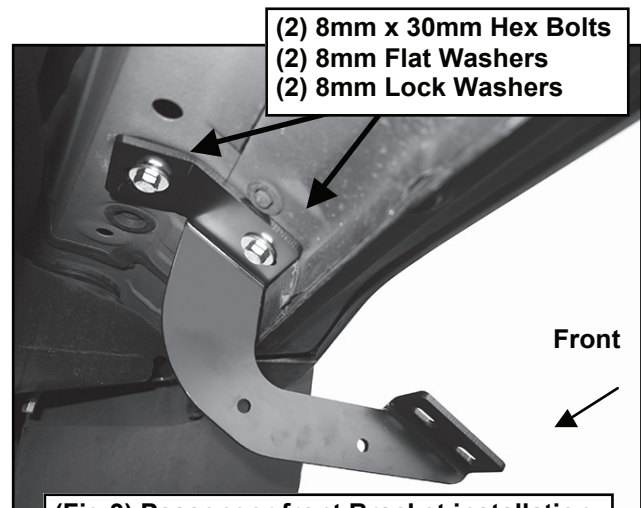
Starting on the passenger side front of the vehicle, remove the plastic plugs or bolts covering the threaded holes in the body panel, (Figure 1). Select the passenger side front Mounting Bracket, (Figure 2). Attach the Bracket to the vehicle using the included (2) 8mm x 30mm Hex Bolts, (2) 8mm Lock Washers and (2) 8mm Flat Washers, (Figure 3). Do not tighten hardware at this time.

STEP 2

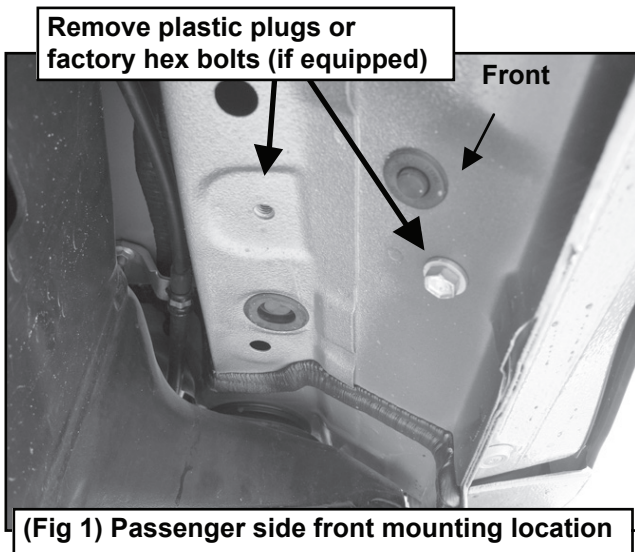
Select (1) Plastic Bracket Cover and (2) Retaining Clips, (Figure 4). Slide the Cover over the front Bracket. Line up the mounting holes in the Cover with the holes in the Bracket. Insert (1) Clip into each hole and push center pin to expand Clip. Repeat this Step for all Cover installations.



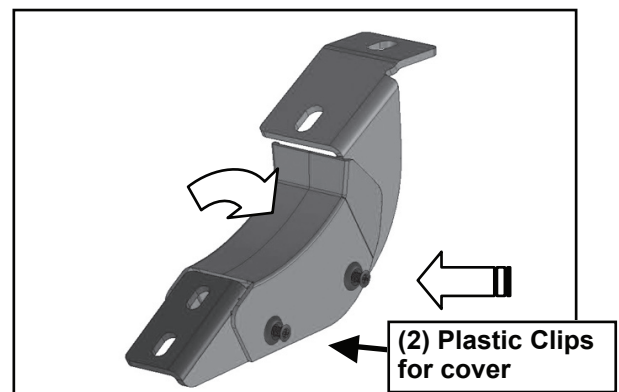
(Fig 2) Passenger side front Bracket



(Fig 3) Passenger front Bracket installation



(Fig 1) Passenger side front mounting location



(Fig 4) Push center pin in to expand Clip in Bracket

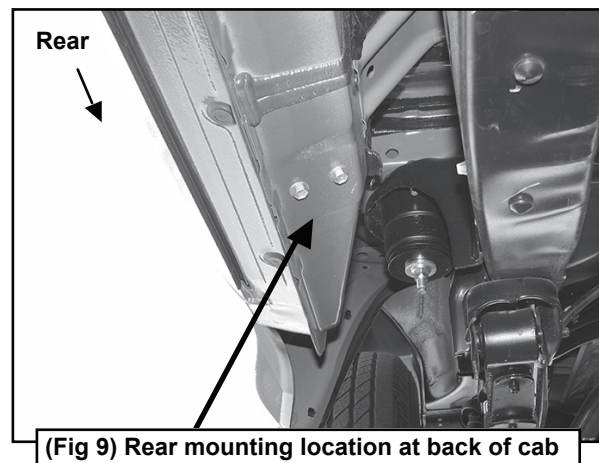
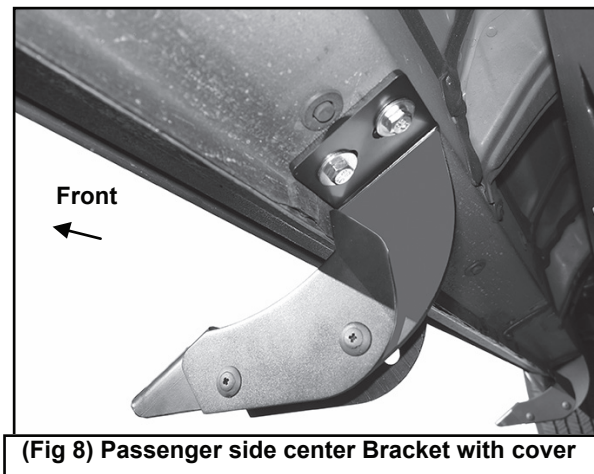
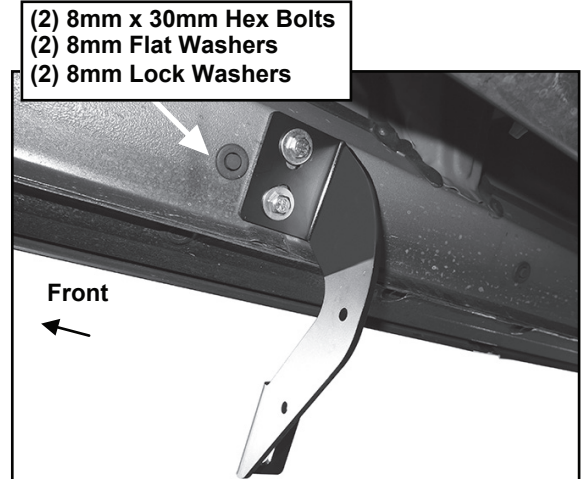
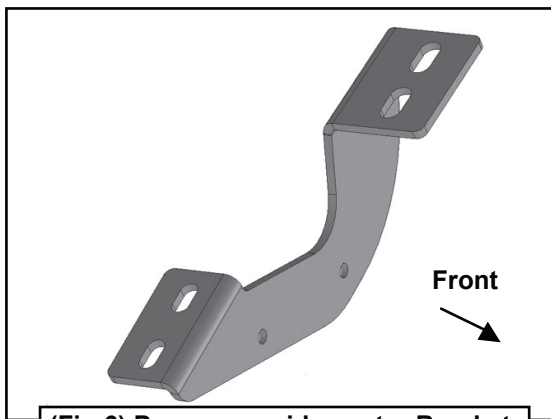
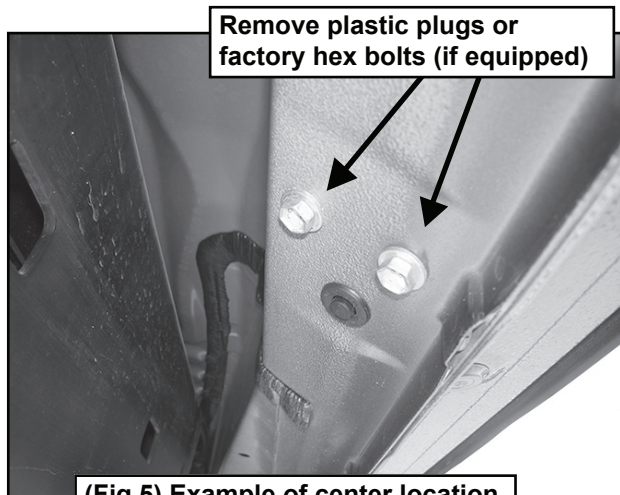


STEP 3

Move to the 2nd mounting location, (Figure 5). Repeat Steps 1 & 2 for center Bracket installation, (Figures 6-8). **IMPORTANT:** There are (4) mounting locations along the side of the vehicle. Installation will use the 1st, 2nd and 4th mounting locations only.

STEP 4

Continue along the body to the last mounting location at the rear of the cab, (Figure 9). Repeat Steps 1 & 2 for rear Mounting Bracket installation, (Figures 9-11).



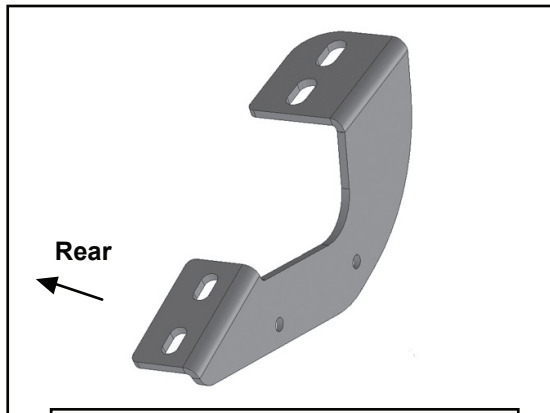


STEP 5

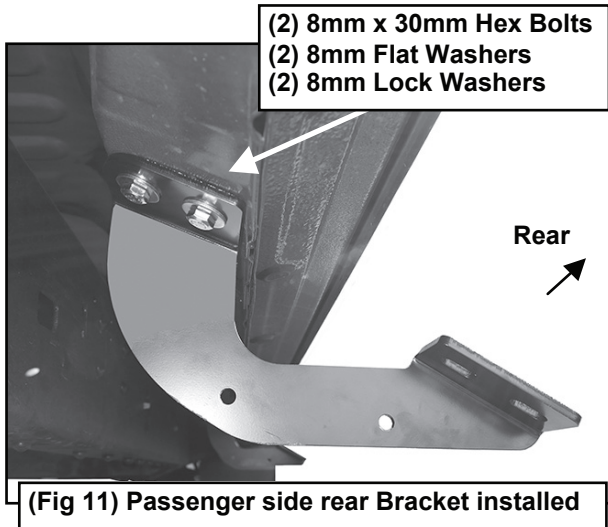
Select the passenger/right Side Step. Carefully position the Side Step onto the (3) Mounting Brackets. **IMPORTANT:** Do not slide the Side Step on the Brackets or damage to the finish may result. Attach the Side Step to the Mounting Brackets with (6) 8mm x 25mm Combination Hex Bolts, (Figures 12-14). Do not tighten hardware.

STEP 6

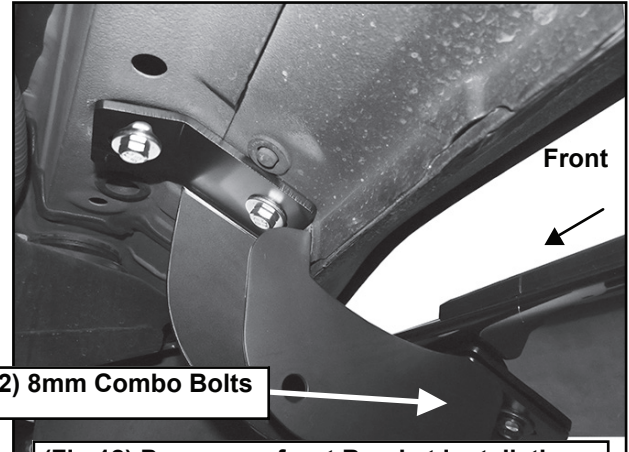
Level and adjust the Side Step and fully tighten all hardware.



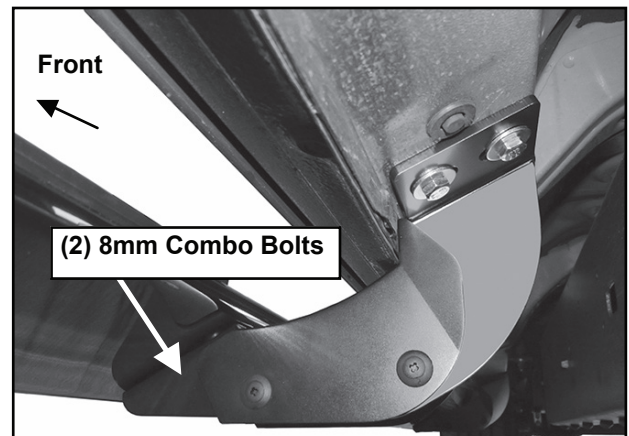
(Fig 10) Passenger side rear Bracket



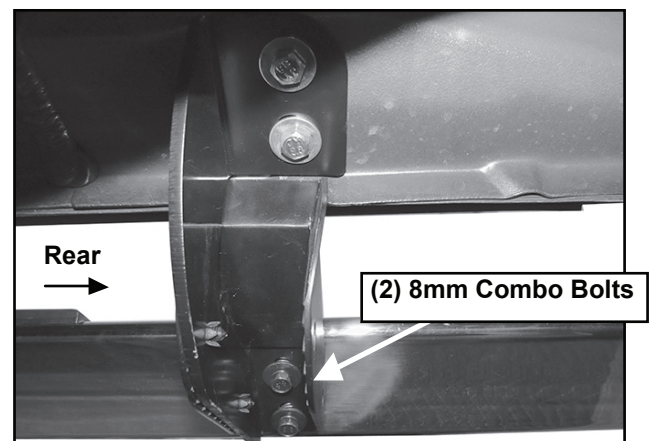
(Fig 11) Passenger side rear Bracket installed



(Fig 12) Passenger front Bracket installation



(Fig 13) Passenger center Bracket installation



(Fig 14) Passenger rear Bracket installation



TYGER[®]

STEP 7

Repeat Steps 1-6 for driver Side Step installation.

STEP 8

Do periodic inspections to the installation to make sure that all hardware is secure and tight.

NOTE:

- **TO PROTECT YOUR INVESTMENT:**

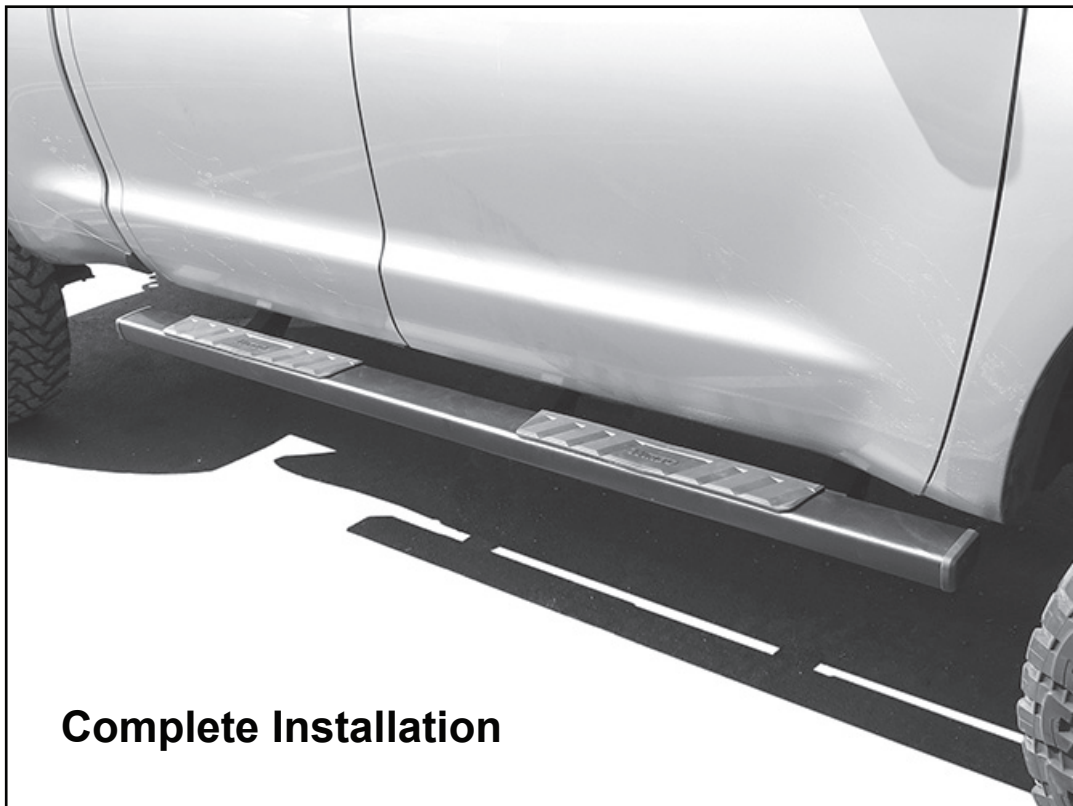
Wax this product after installing. Regular waxing is recommended to add a protective layer over the finish. Do not use any type of polish or wax that may contain abrasives that could damage the finish.

- **FOR STAINLESS STEEL:**

Aluminum polish may be used to polish small scratches and scuffs on the finish. Mild soap may be used also to clean the Side Step.

- **FOR GLOSS BLACK FINISHES:**

Mild soap may be used to clean the Side Step.



Complete Installation