



# TYGER<sup>®</sup>

## TYGER RISER<sup>™</sup>

### BEFORE INSTALLATION

READ INSTRUCTIONS CAREFULLY BEFORE STARTING INSTALLATION. REMOVE CONTENTS FROM BOX AND VERIFY ALL PARTS ARE PRESENT. ASSISTANCE IS RECOMMENDED. FAILURE TO IDENTIFY DAMAGE BEFORE INSTALLATION COULD LEAD TO A REJECTION OF ANY CLAIM. IF ANY DAMAGE FOUND, PLEASE TAKE A PICTURE FOR THE CLAIM PURPOSE.

### WARNING

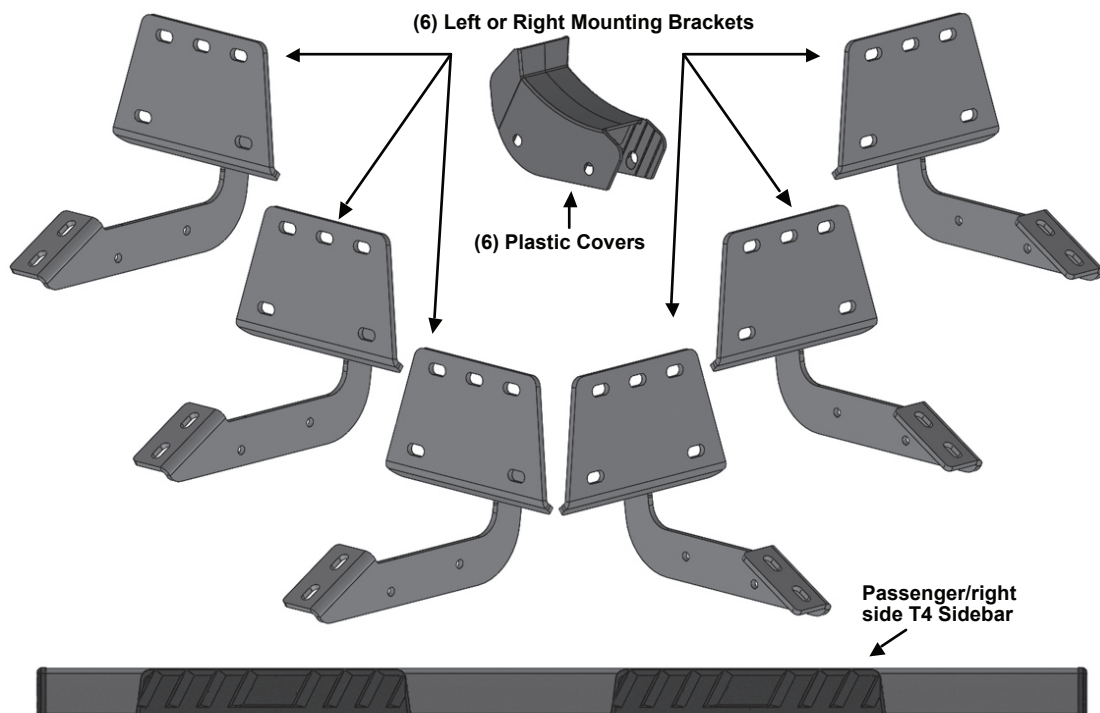
TO PROTECT YOUR INVESTMENT, WAX THIS PRODUCT AFTER INSTALLING. REGULAR WAXING IS RECOMMENDED TO ADD A PROTECTIVE LAYER OVER THE FINISH. DO NOT USE ANY TYPE OF POLISH OR WAX THAT MAY CONTAIN ABRASIVES THAT COULD DAMAGE THE FINISH. USE ONLY MILD SOAP TO CLEAN THE PRODUCT.

TG-RS2D40208

### Parts List

- x1 Driver/left side T4 Sidebar
- x1 Passenger/right side T4 Sidebar
- x6 Universal Brackets
- x6 Plastic Bracket Covers
- x12 Plastic Clips for Covers
- x12 8-1.25mm x 25mm Combo Bolts
- x18 8mm x 24mm x 2mm Flat Washers
- x18 8-1.25mm Nylon Lock Nuts

Tyger are proud to offer a high quality product at the industries most competitive pricing!

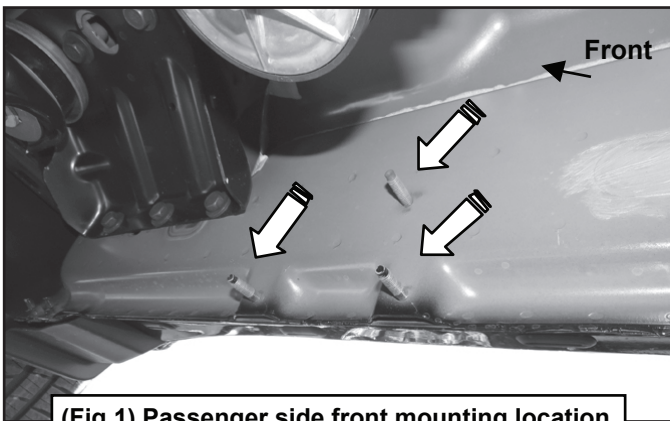




## STEP 1

Start the installation under the passenger side of the vehicle. Locate the front (3) factory studs along the inner side of the body panel, (Fig 1).

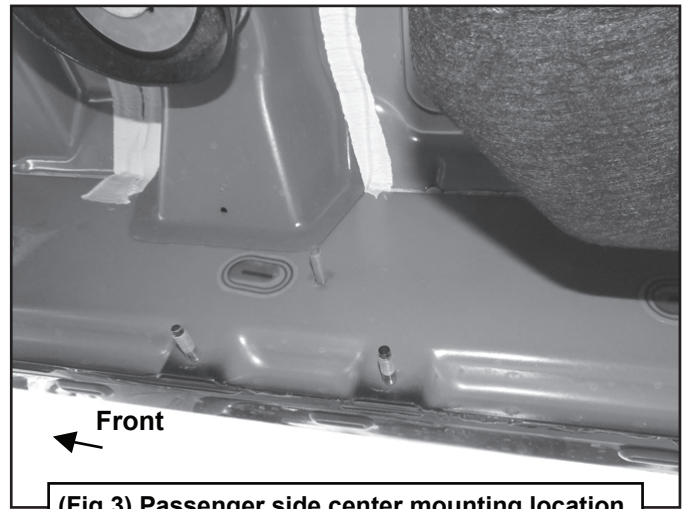
**NOTE:** Chase threads on the studs first before installing Brackets to remove paint buildup.



(Fig 1) Passenger side front mounting location

## STEP 3

Repeat Steps 1-2 to install the Universal Brackets in the center and rear mounting locations along the body panel, (Figs 3-4).

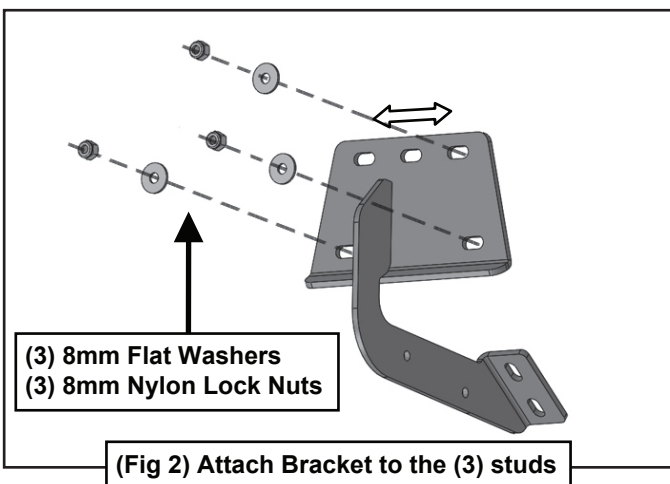


(Fig 3) Passenger side center mounting location

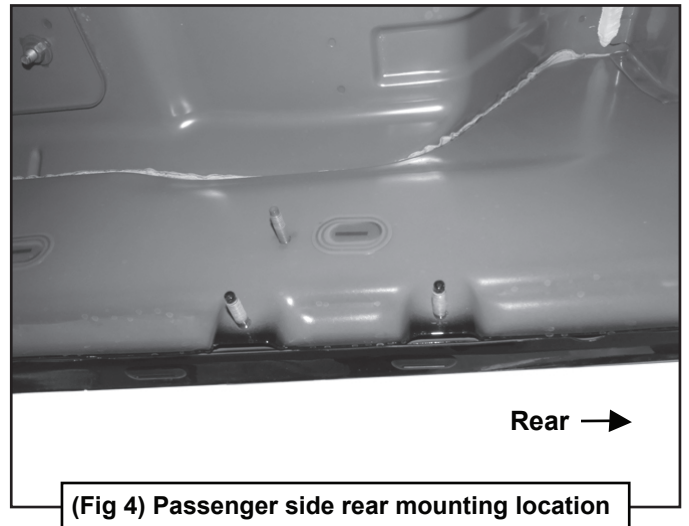
## STEP 2

Select (1) Mounting Bracket.

**NOTE:** All (6) Brackets are universal and will fit left or right side. Attach the Mounting Bracket to the (3) factory studs with (3) 8mm Flat Washers and (3) 8mm Nylon Lock Nuts, (Fig 2). Leave brackets loose at this time.



(Fig 2) Attach Bracket to the (3) studs

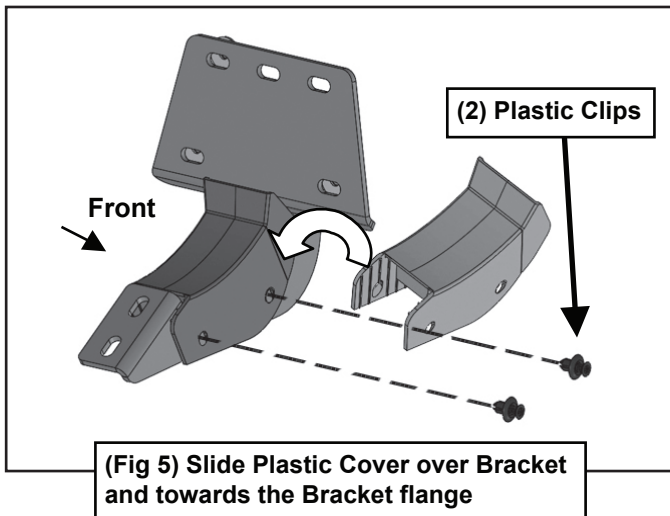


(Fig 4) Passenger side rear mounting location



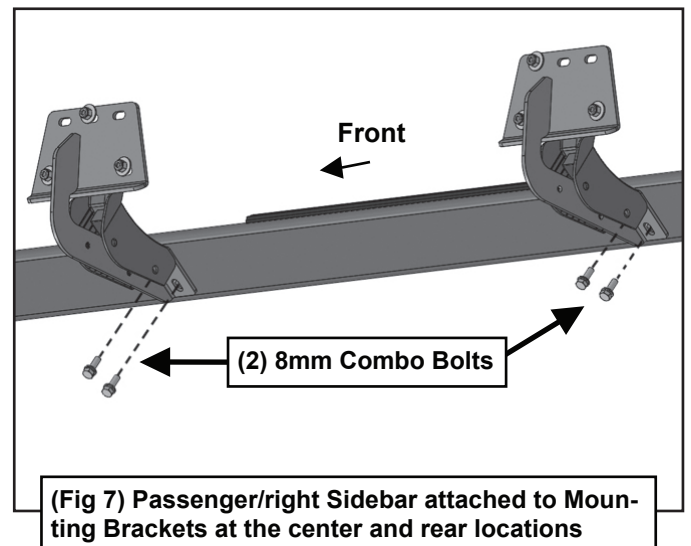
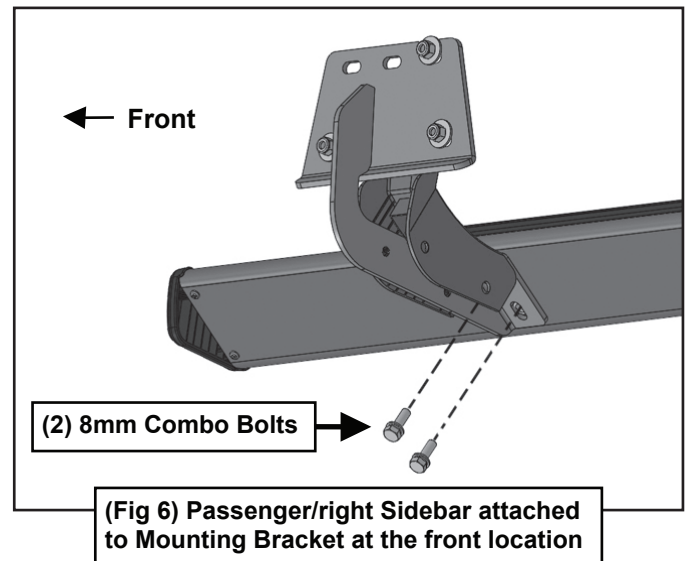
## STEP 4

Select (1) Plastic Bracket Cover. Slide Plastic Cover over Bracket and towards the Bracket flange, (Fig 5). Line up the (2) mounting holes in the Cover with the side holes in the Bracket. Insert (1) Plastic Clip into each hole and push center pin to expand Clip. Repeat this Step for center and Rear Brackets



## STEP 6

Attach the Sidebar to the Brackets with (6) 8mm Combo Hex Bolts, (Figs 6-7). Do not tighten hardware at this time.



## STEP 5

Carefully unwrap and select the Passenger/right Sidebar. Use the illustration above to help identify the correct Sidebar. Place the Sidebar on top of the Brackets.

**IMPORTANT:** Do not slide (front to back) the Sidebar on the Brackets or damage to the finish may result.



# TYGER<sup>®</sup>

## STEP 7

Level and adjust the Sidebar as necessary and fully tighten all hardware.

## STEP 8

Repeat Steps 1-6 for Driver/left Sidebar installation.

## STEP 9

Do periodic inspections to the installation to make sure that all hardware is secure and tight.

