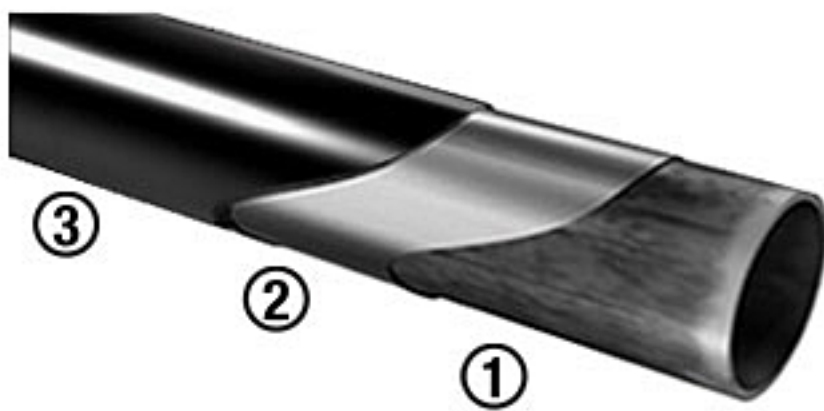


WHY TYGER?

THE QUALITY YOU CAN TRUST.

To ensure the perfect finish of our black bars and for better rust resistance, we focus every procedure during production including E-Coat and the Pre-treatment before the Black Powder coating. Meanwhile, some similar products in the market reduce their costs by ignoring our first two key procedures.



HOW WE DO IT

- ① Pre-treatment to remove impurities
- ② Special "E-Coat" Inside & Out
- ③ Dual-Stage Semi-Glossy Black Powder

E-COAT

Consistency - uniform density
Durability - 1000Hrs+ of salt spray resistance
Electrodeposition - uses electrical current to deposit the paint

PRE-TREATMENT

Phosphate- a smoother & stable surface
Acid Washing - removes rust
Oil Degreasing - rust and corrosion resistance.

RESULTS WITHOUT PRE-TREATMENT AND E-COAT



Paint bubbles



Rust dust

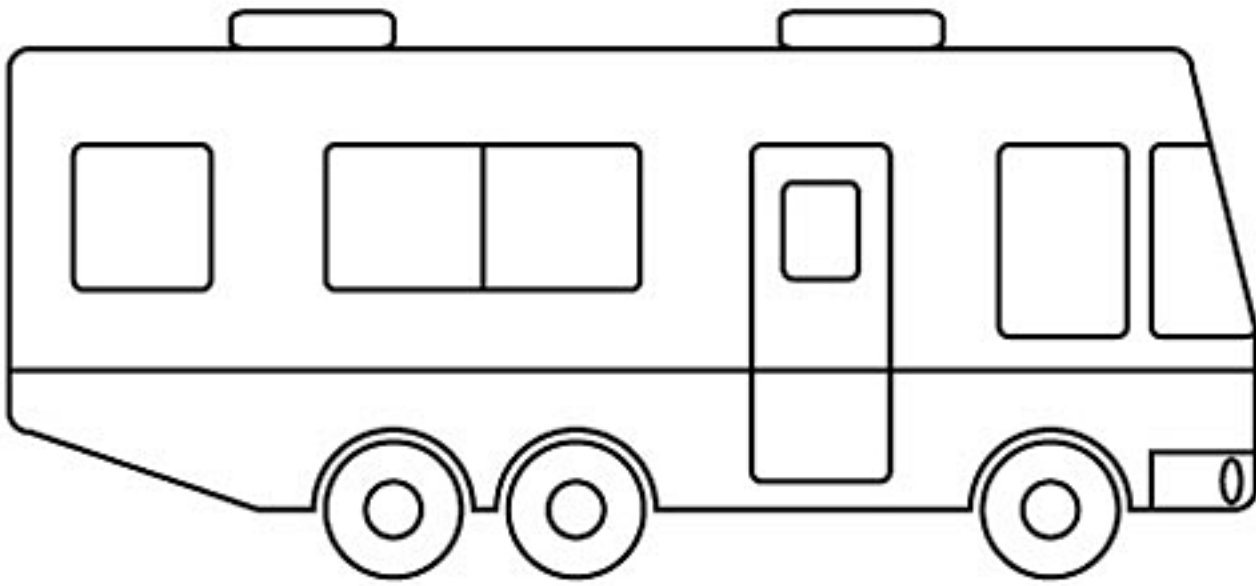
**Fits most Sedans/Hatchbacks/Minivans and SUVs
without Rear Spoilers.**



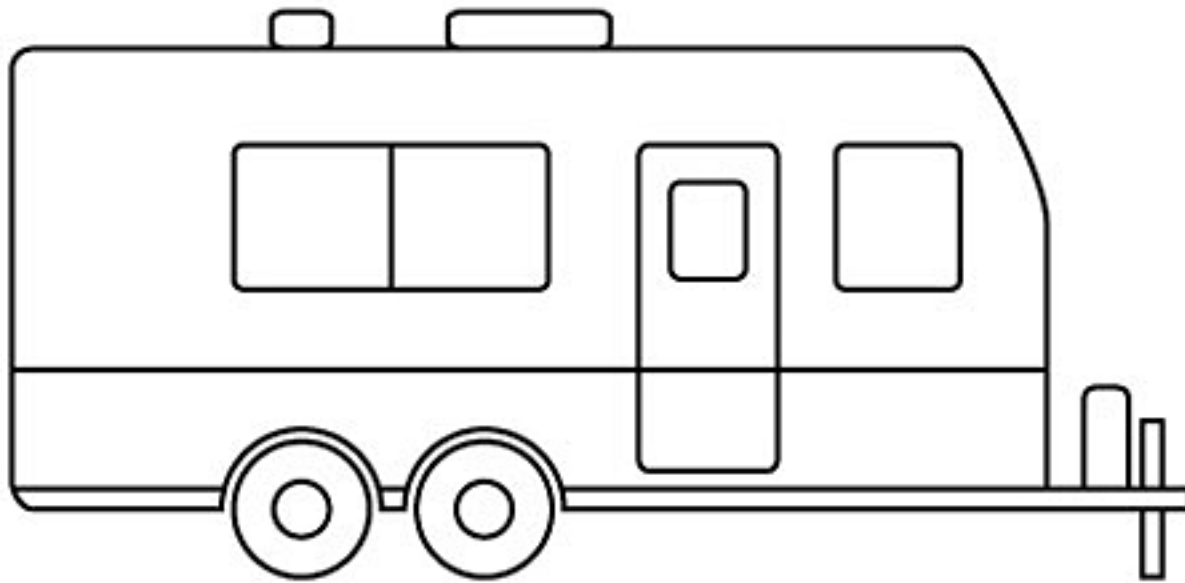
Safety Strap included



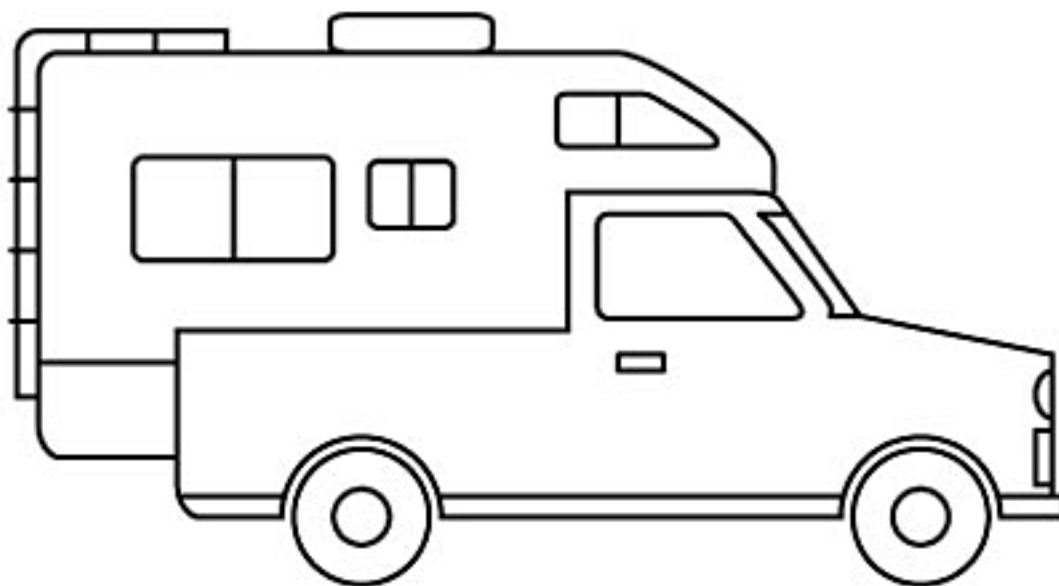
Must use the included safety strap to stabilize the bikes during driving. Any accident or damage caused by not following this instruction will not be covered!



RV



Trailer



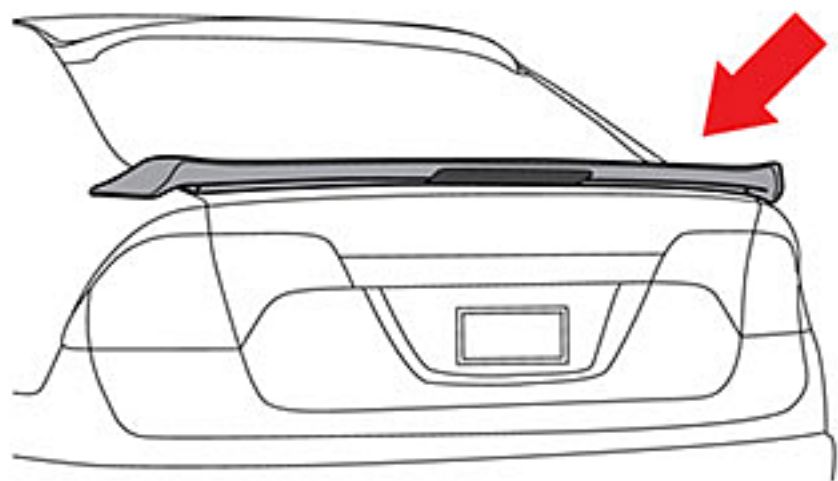
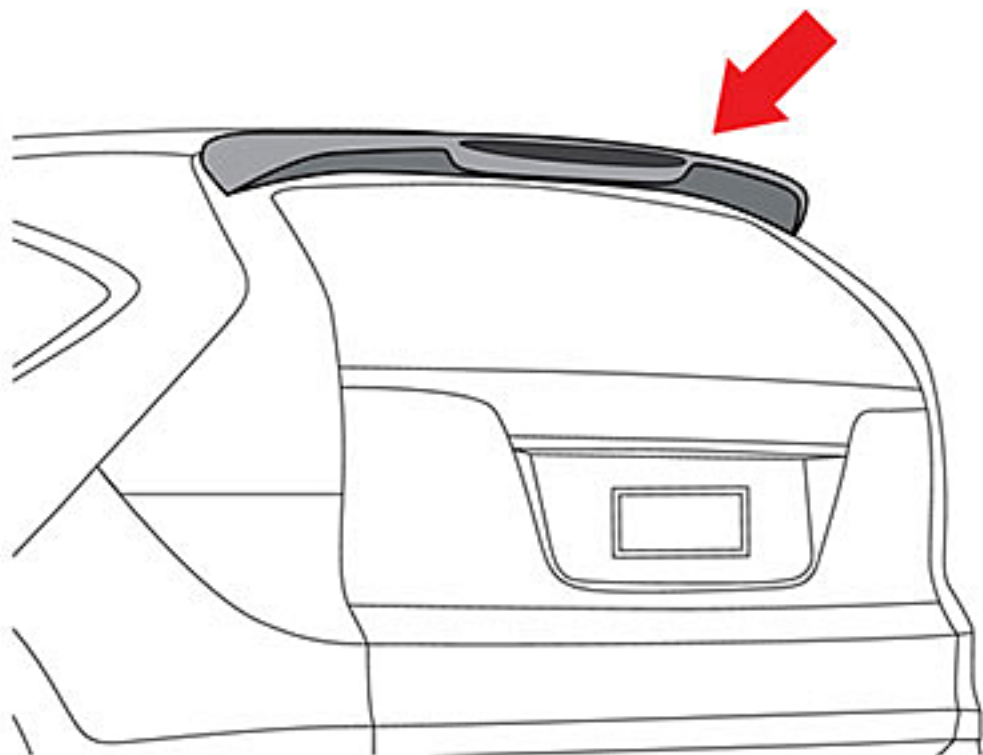
Camper



Do NOT install the bike carrier on trailers, campers, RVs or any vehicles longer than 18 feet.



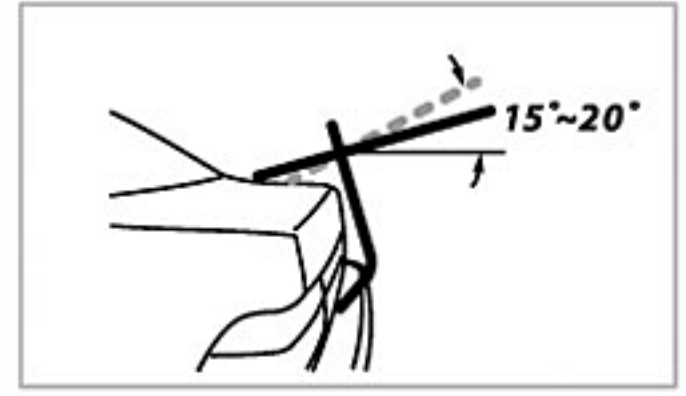
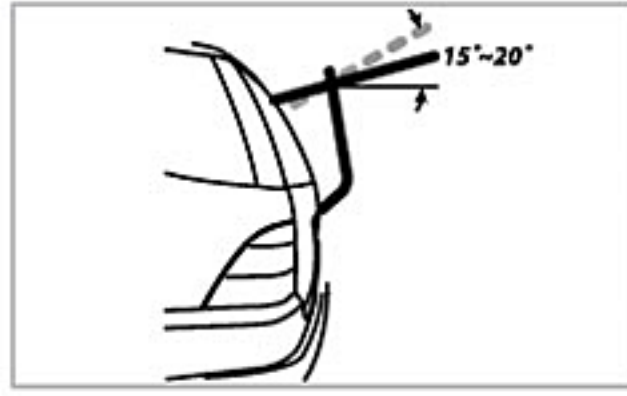
Rear Spoiler, Won't Fit!



**This product doesn't fit the vehicle with Rear Spoiler.
Please note this before ordering.**

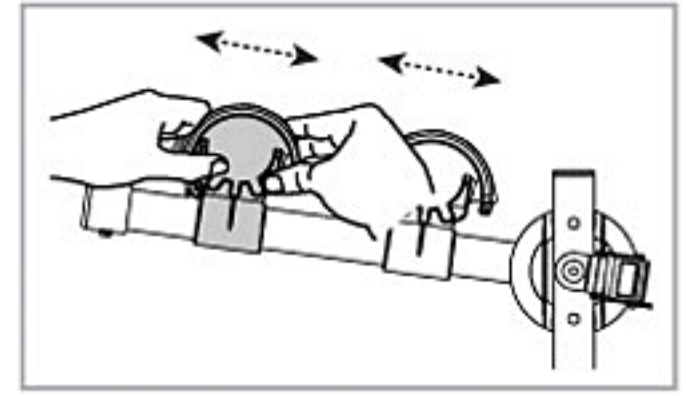
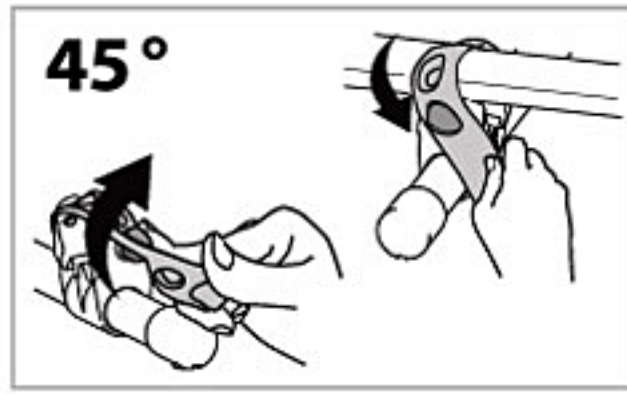
QUICK INSTALLATION

- Proper installation angle to avoid car scratch.



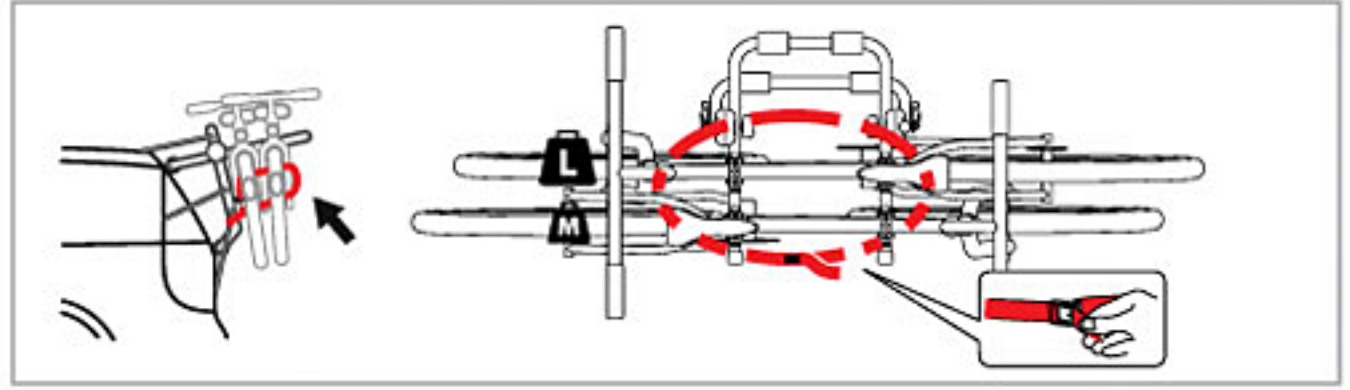
PROTECTIVE CRADLES

- 45° angles for easier buckles close and open.
- Cradle positions are adjustable for different bikes.



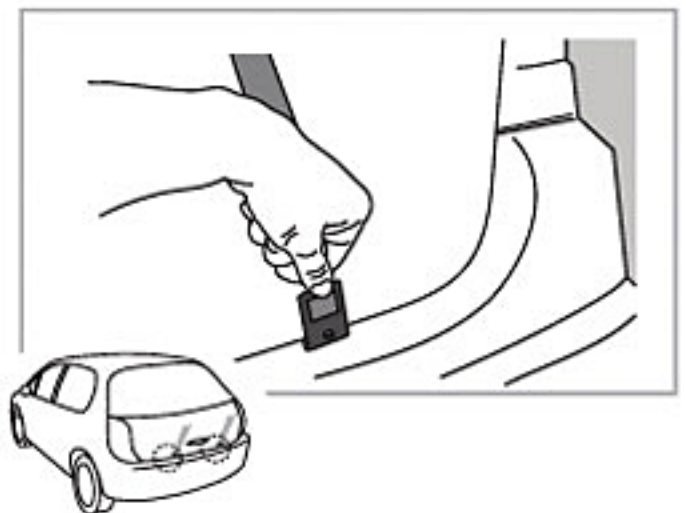
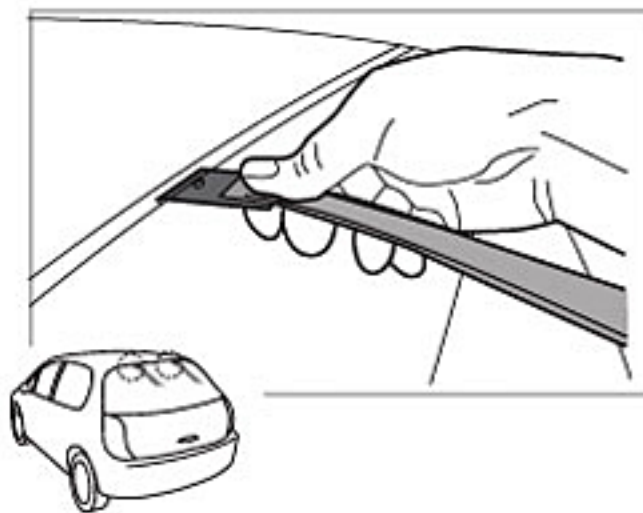
SAFETY STRAP INCLUDED

- Use safety strap to avoid bike swing and scratch.



COATED HOOKS

- To protect car paint.



Cradles and rubber straps help position and secure the bikes

Coated hooks to protect the car paint

6 straps for higher stability

Safety strap included



The complete rack folds and can be easily stored inside the car.



Extra Adaptor Bar Needed

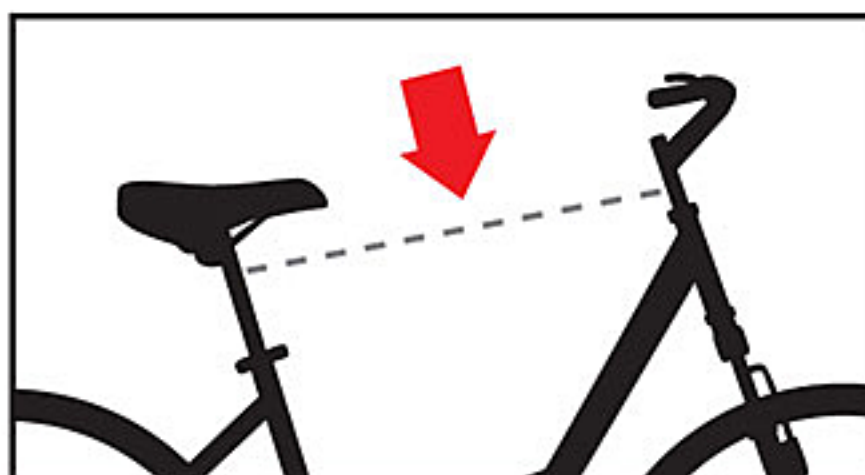
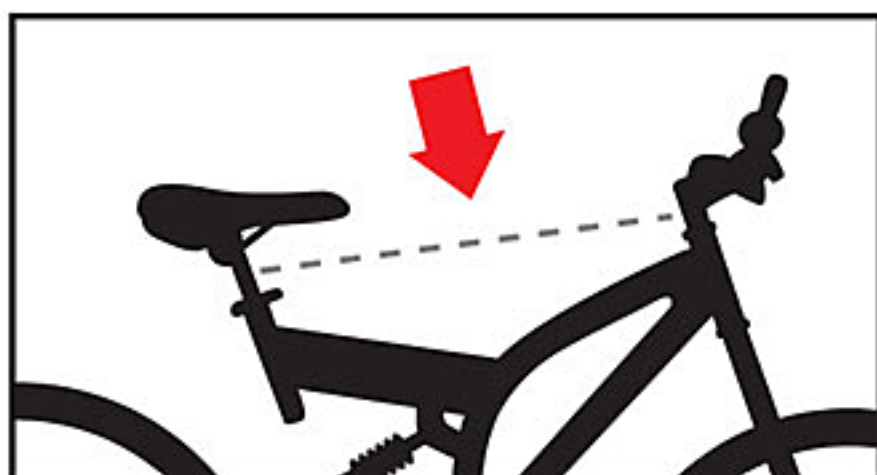
— for the bikes without top frame bar —



— Mountain Bike —



— City / Women Bike —



(You can find TYGER Adaptor Bar by searching with SKU# TG-RK1B108B.)