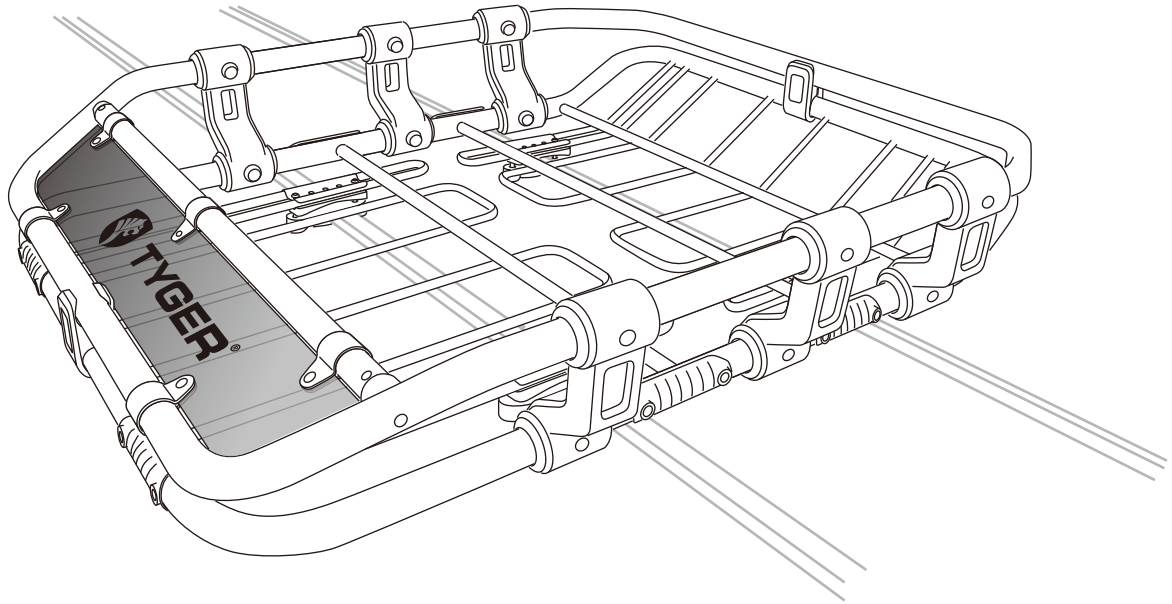


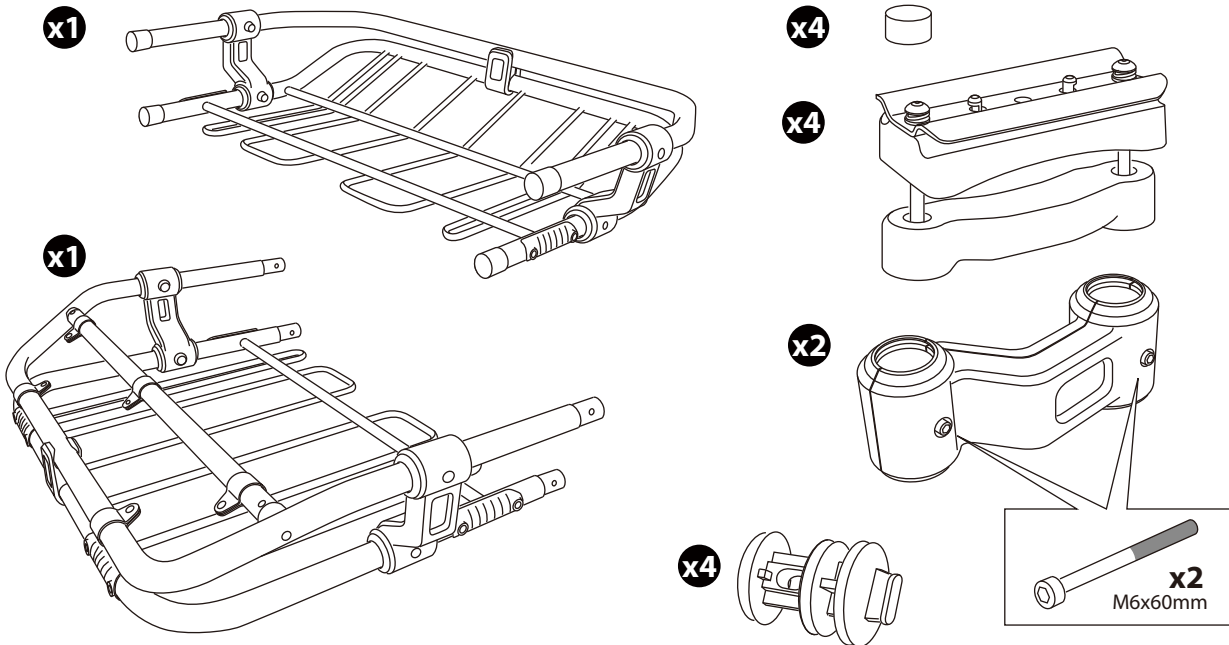


TYGER

TG-RK1B976B



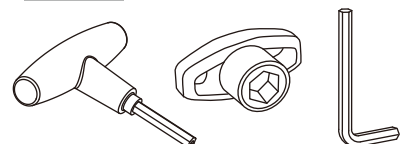
Parts List

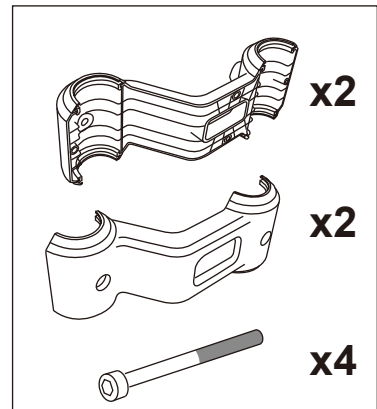
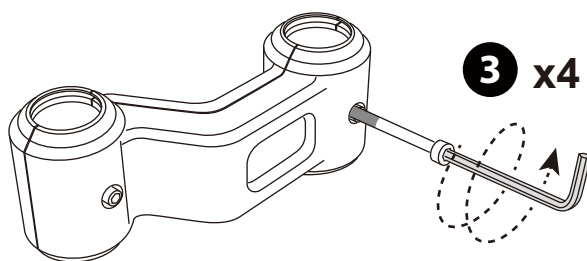
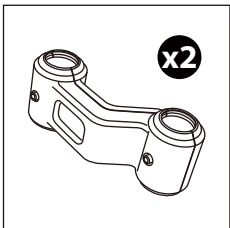
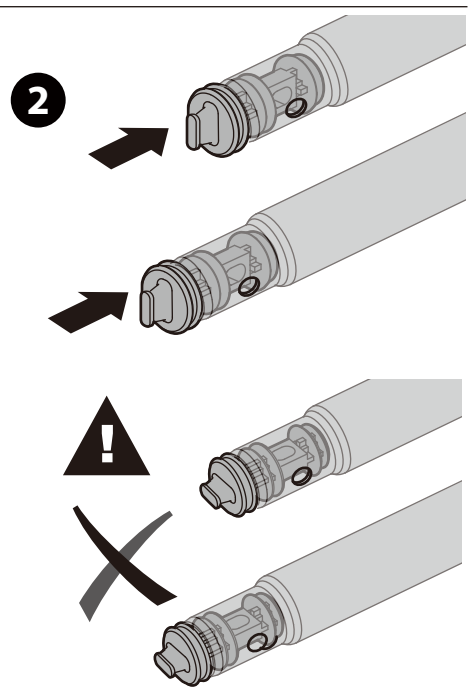
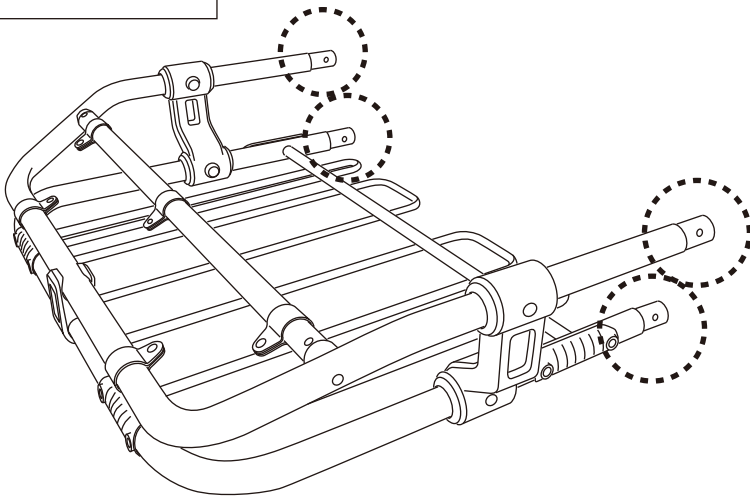
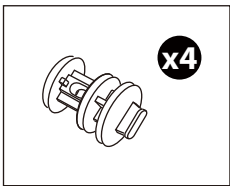
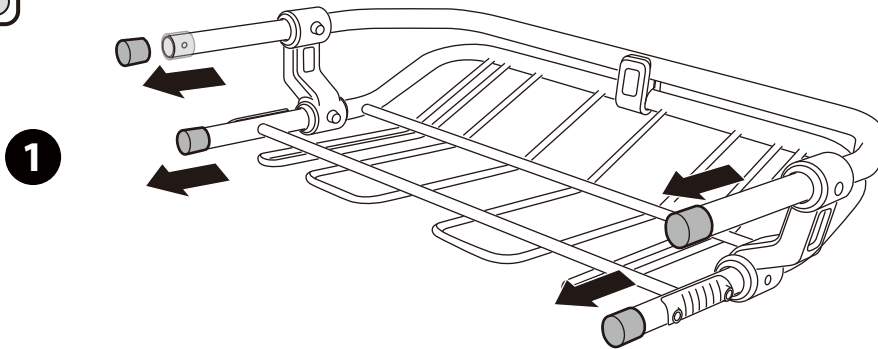
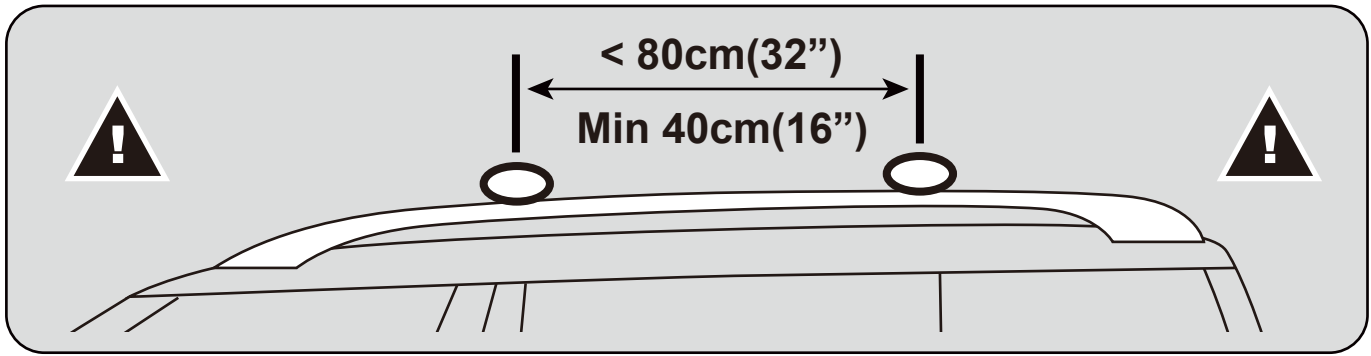


Deflector accessories

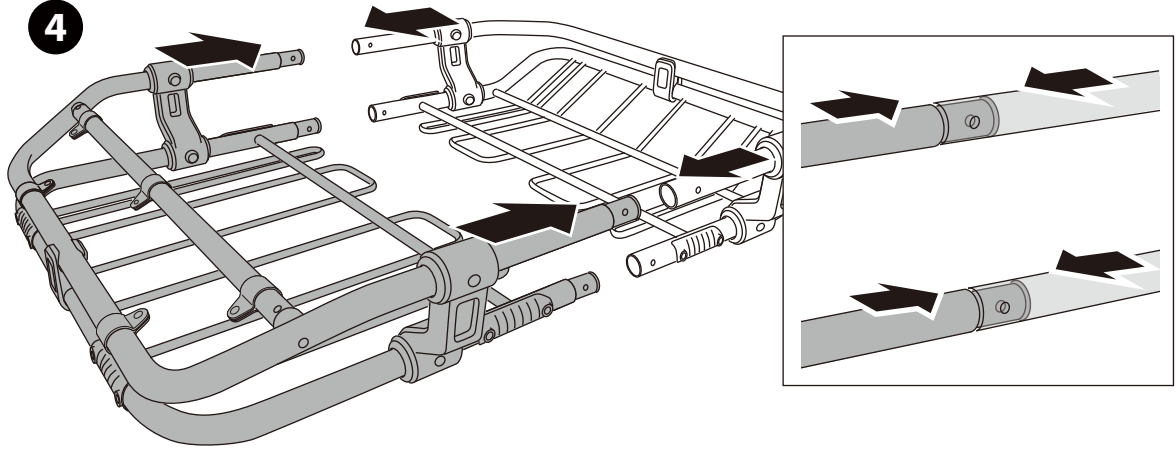


Tool

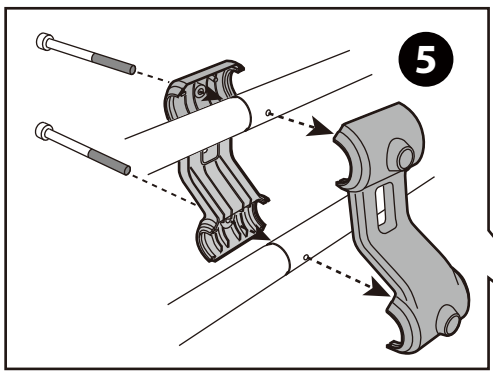




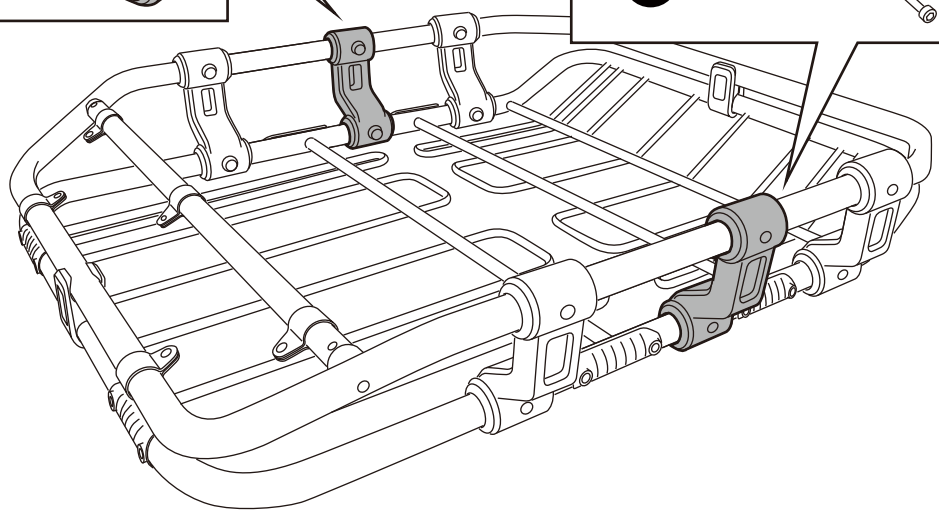
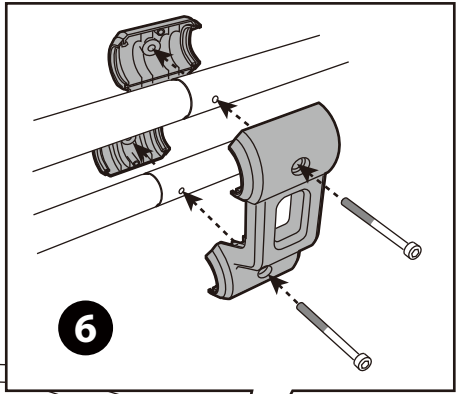
4



5



6

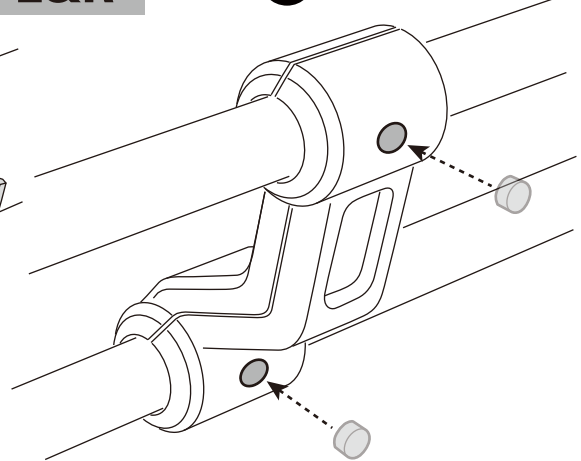
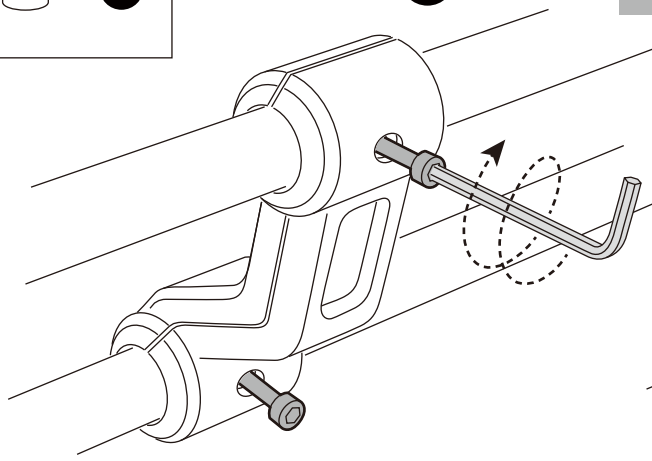


x4

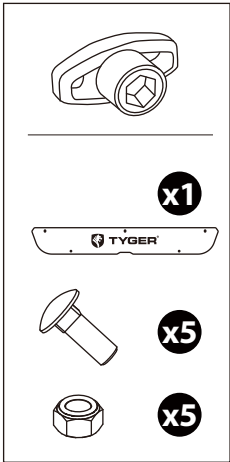
7

L&R

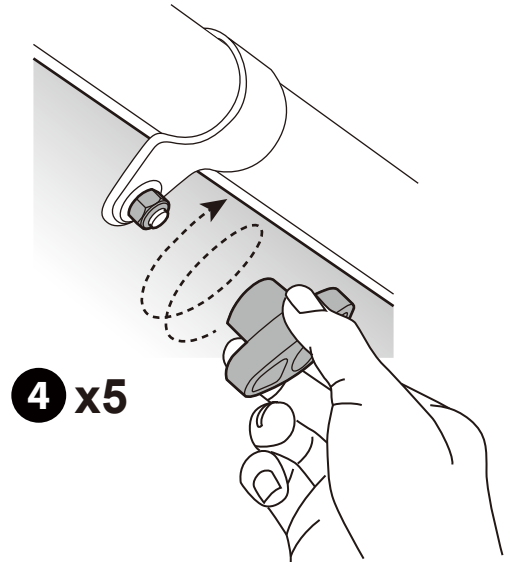
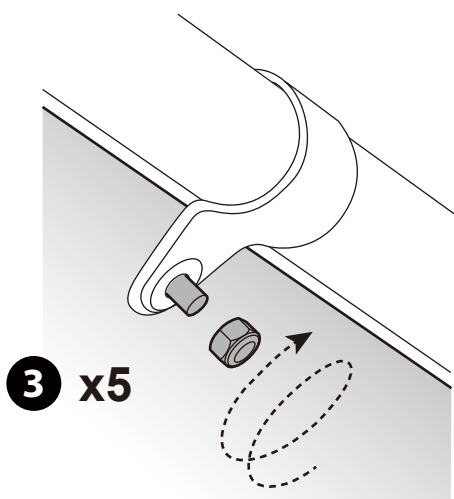
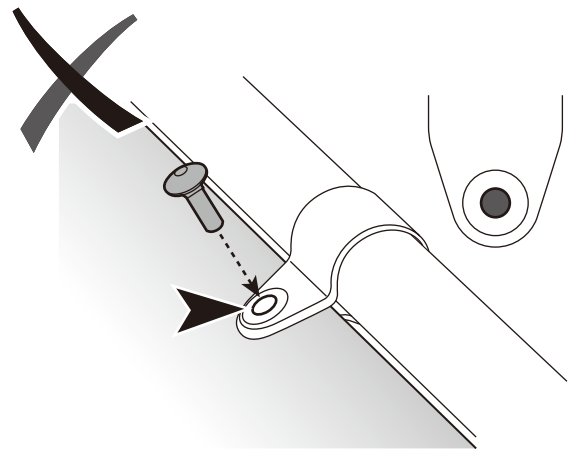
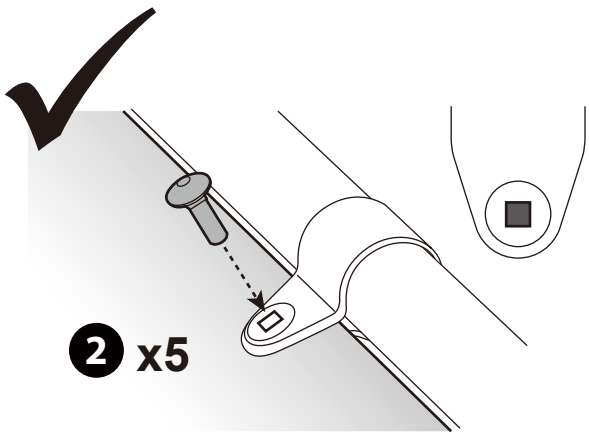
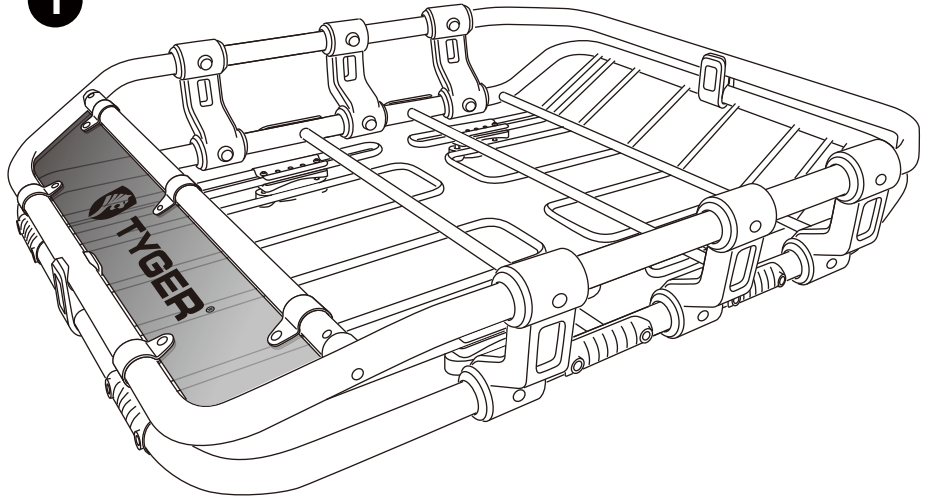
8

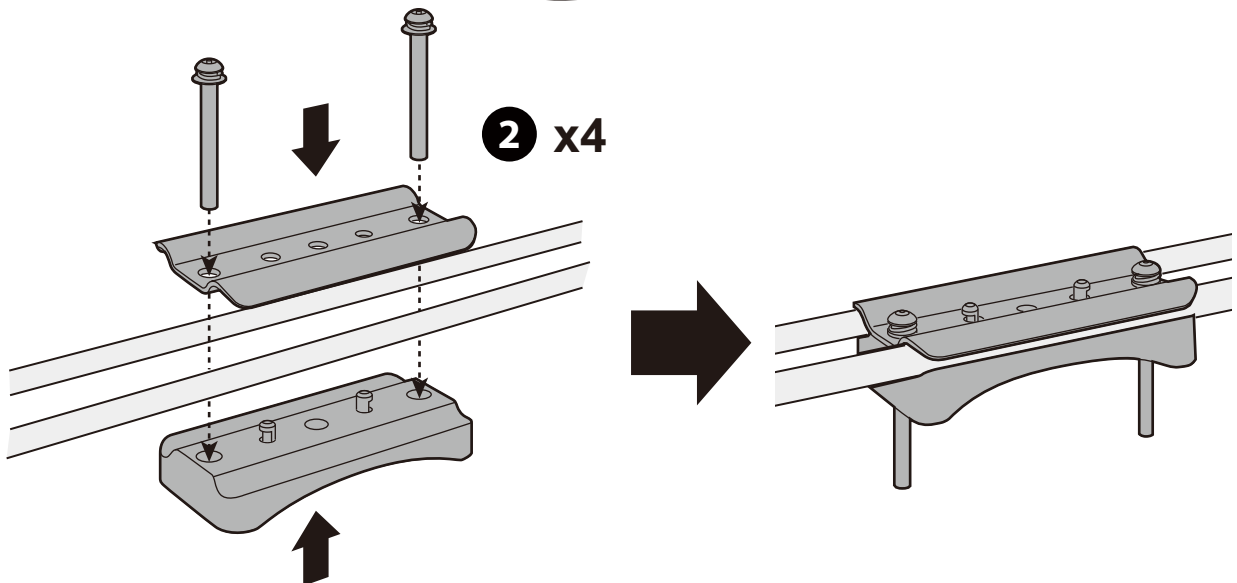
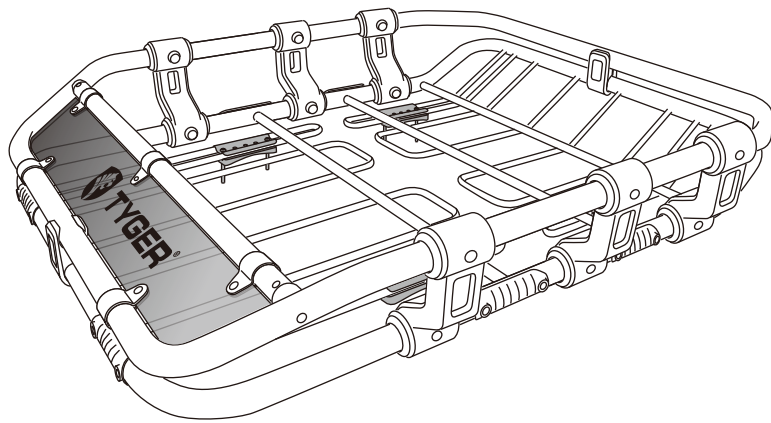
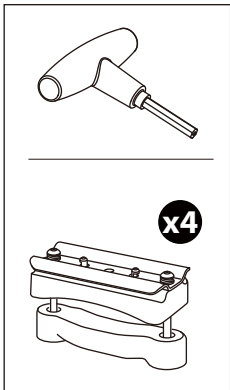
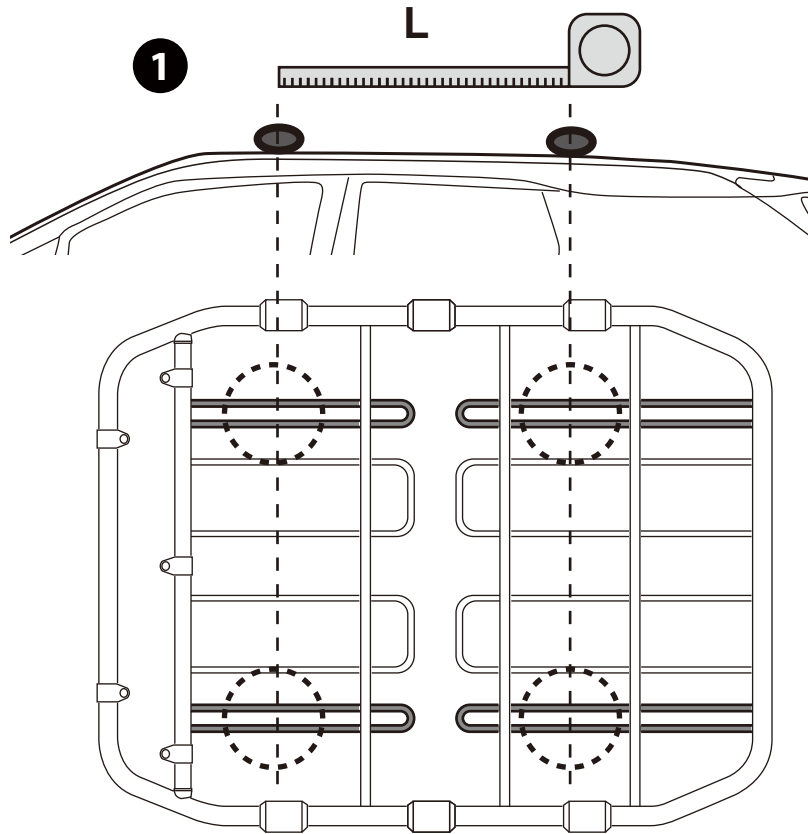


3



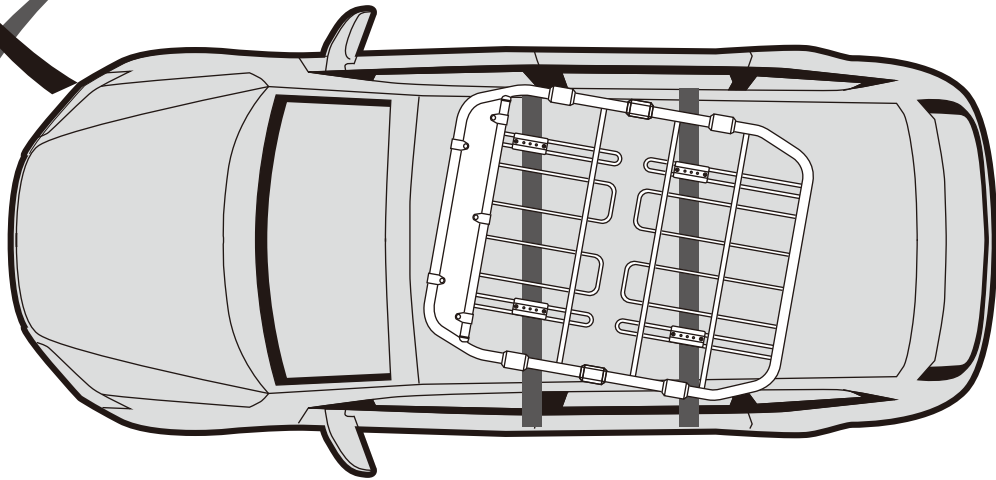
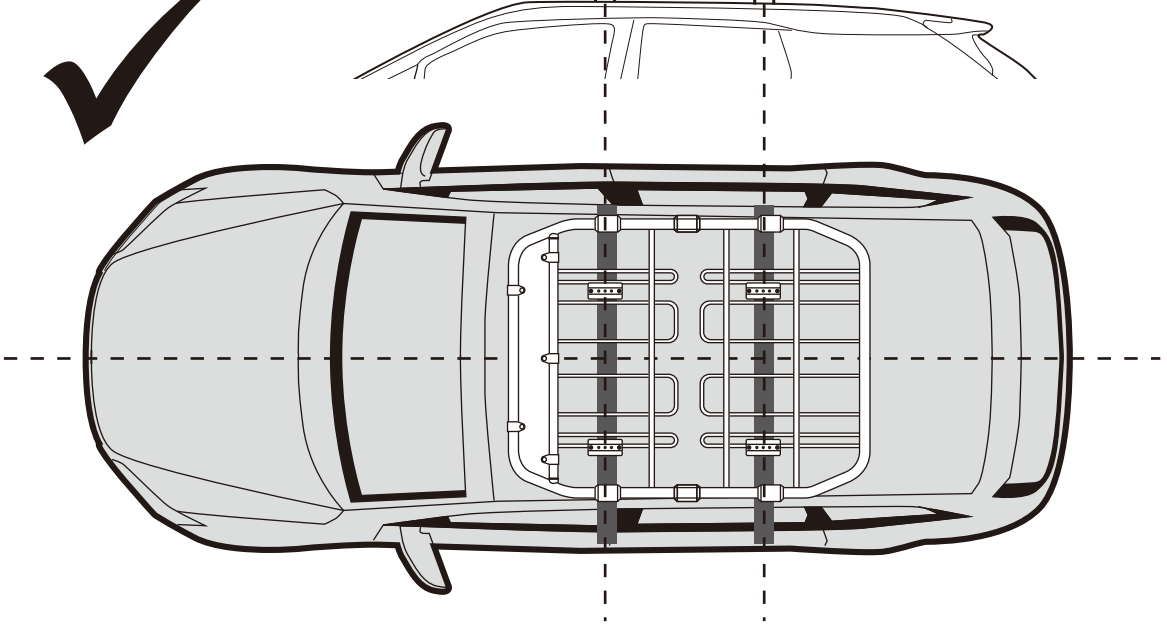
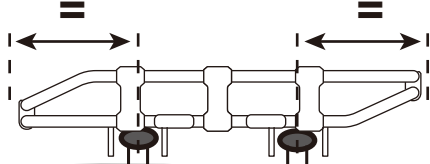
1



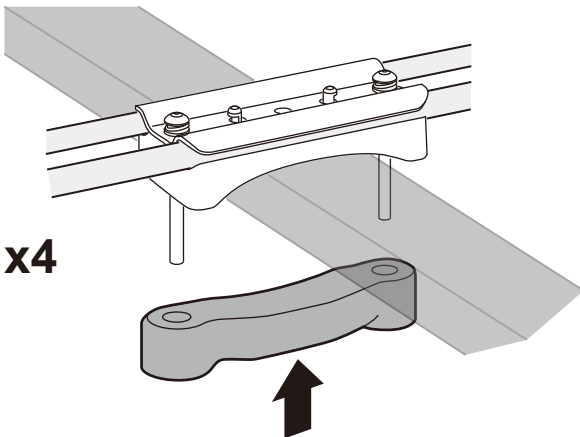




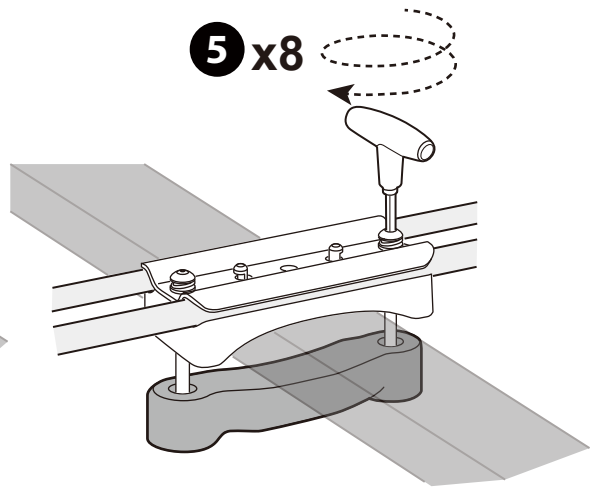
3



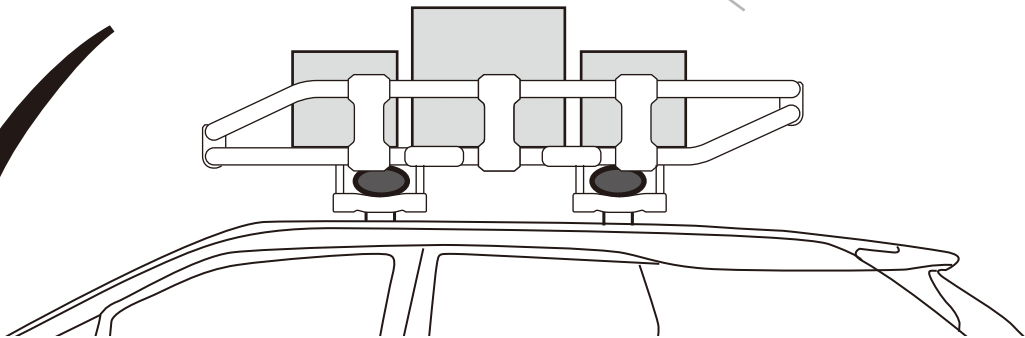
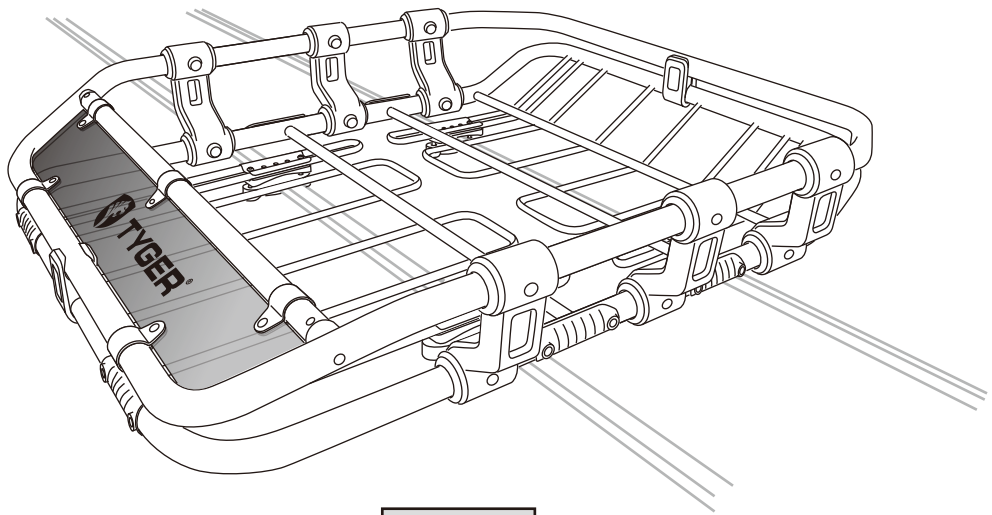
4 x4



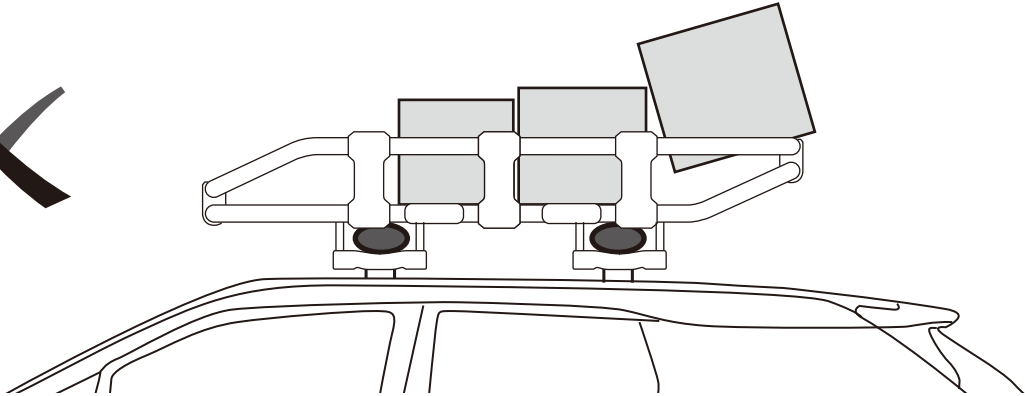
5 x8



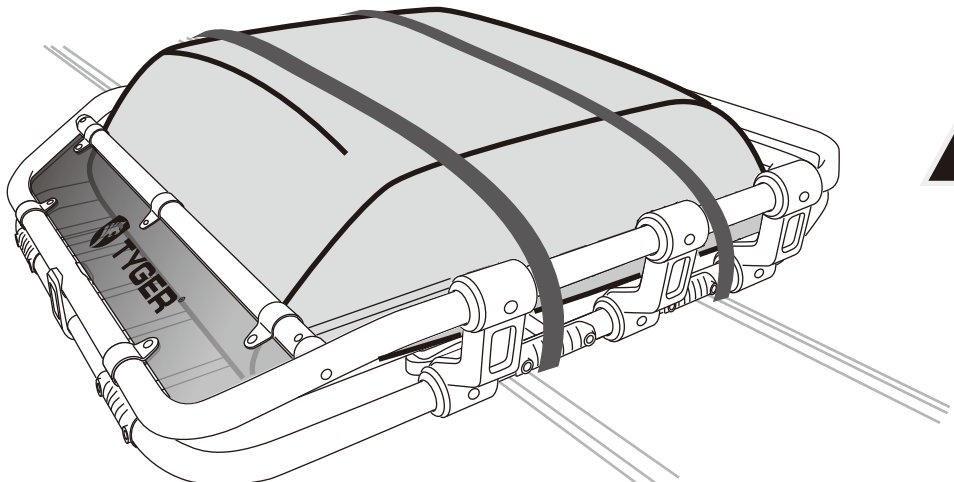
6



Equally distribute the weight of the cargo.



Securely tie down the cargo .



WARNINGS/COMPATIBILITIES/RESTRICTIONS

Please read the instructions carefully. The end user is fully responsible for assembly and installation of this product.

- Do not carry more than 68 kg (150lbs.) on this load carrier. Make sure the total load (cargo weight plus weight of the bars) does not exceed the car maximum load capacity (see the owner manual).
- Check the crossbar instructions or the car owner's manual for any restrictions about accessories used on the load bars.
- The height of your cargo will affect the possibility to access low entrance spaces.
- The cargo will affect your driving behavior.
- Front and rear of long loads must be tied down to the front and rear of vehicle using a solid part of the vehicle (tow hooks for example).
- Failure to properly install this product may cause damage to the car and in the worst case personal injury.
- Do not modify any components of the product.
- Do not use the product for other purposes than those for which they were designed.
- Please respect the speed limit and adapt your speed to the condition of the road.
- Before leaving and at every stop, please check that all the parts are firmly tightened.
- Check periodically your product for signs of wear, corrosion and fatigue.
- During your trip, periodically check that your load is firmly attached.
- Please consult your store if you have any questions regarding this product.
- Remove your cargo basket before entering automatic car washes.
- Use lubricant on the bolts to avoid corrosion.



TYGER

Learn more about roof racks and cargo carriers we have.