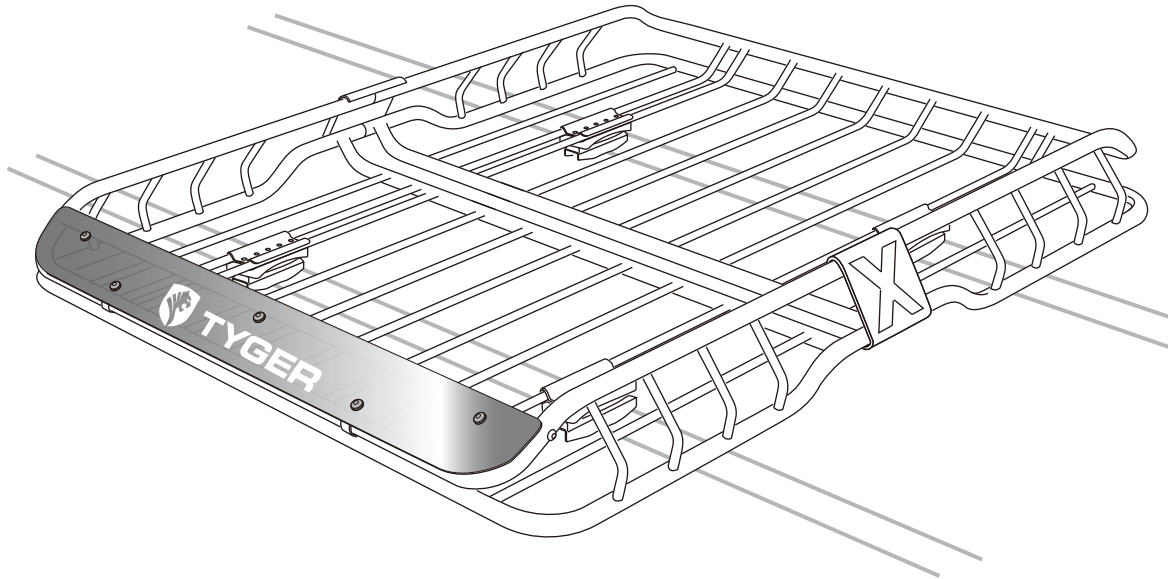


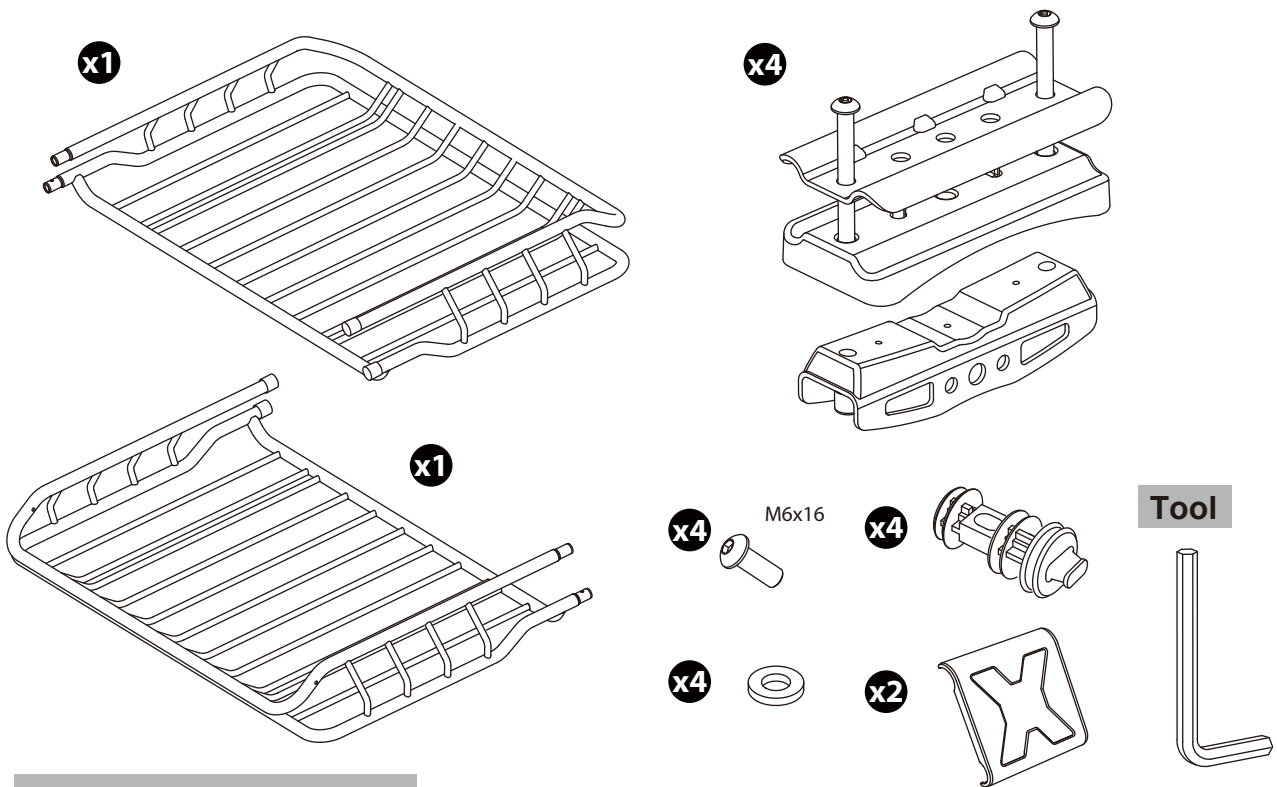


# TYGER

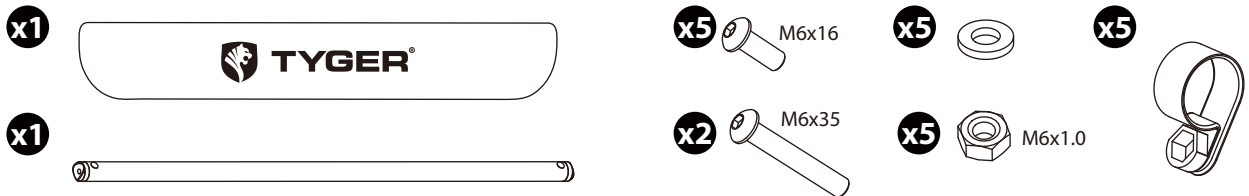
TG-RK1B942B

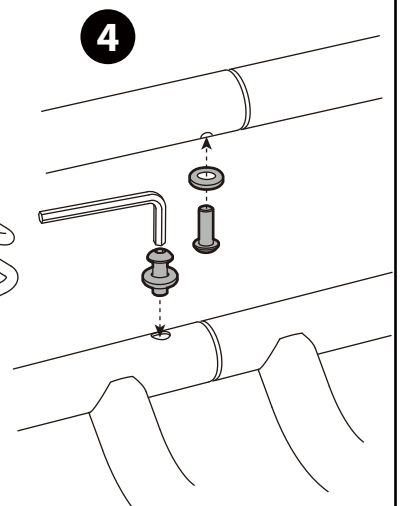
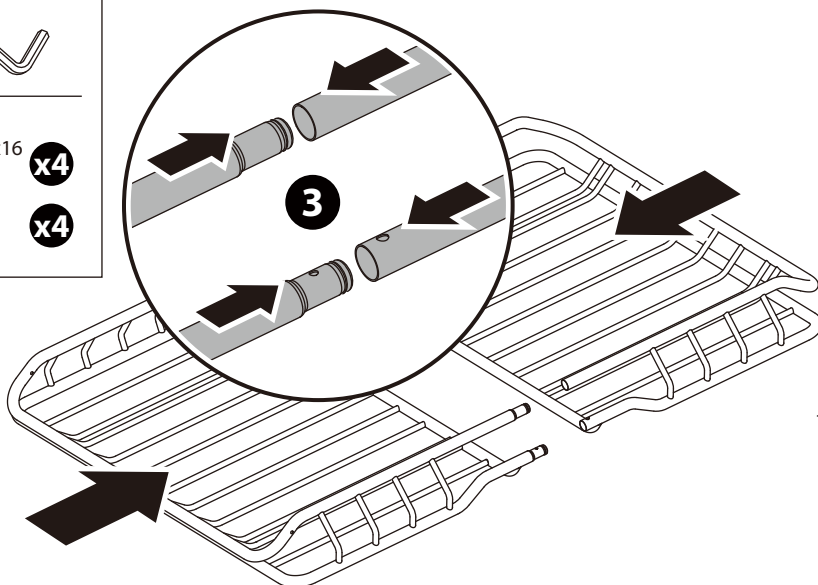
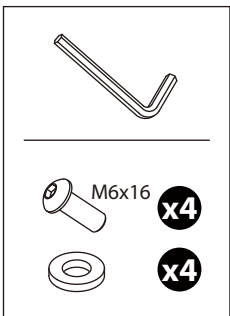
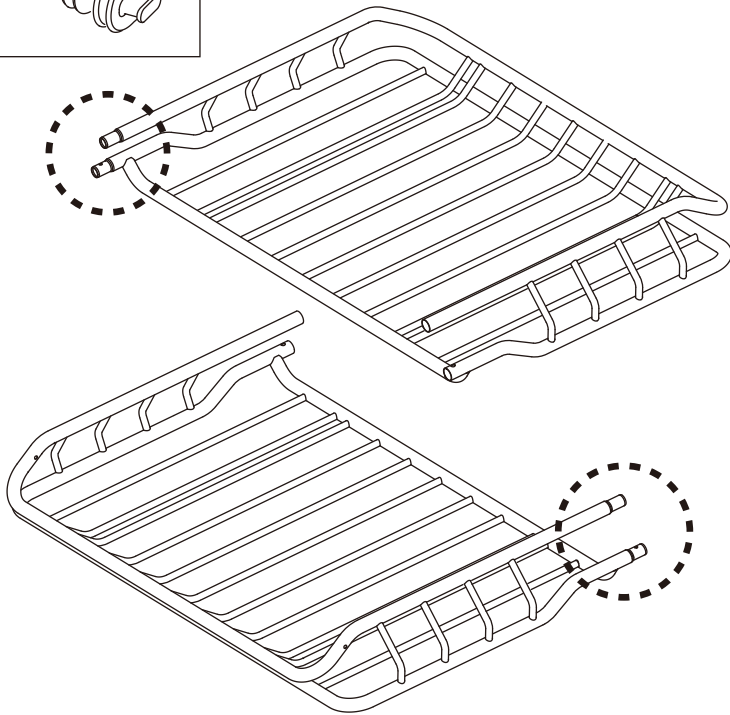
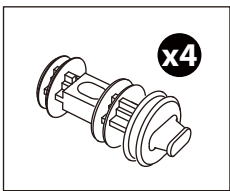
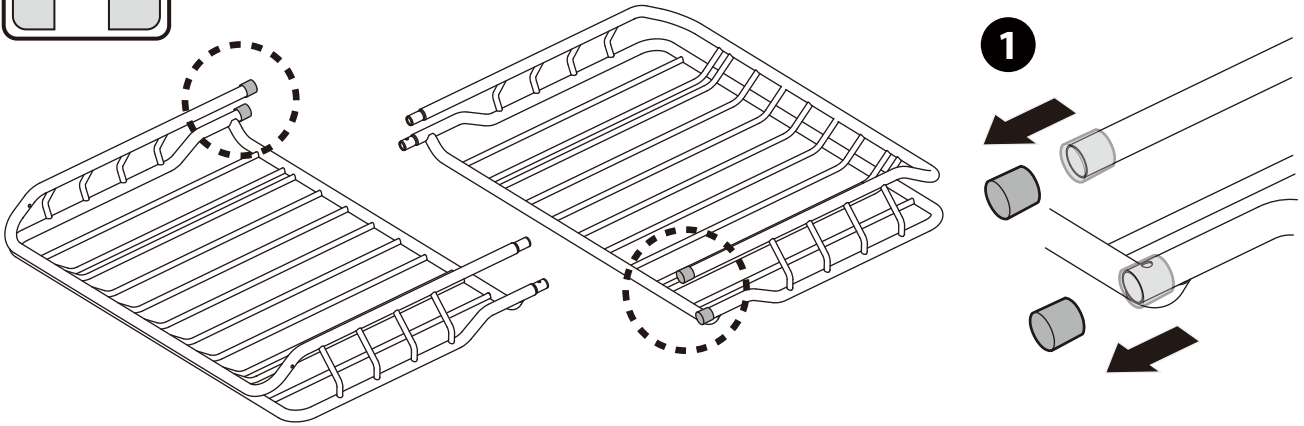


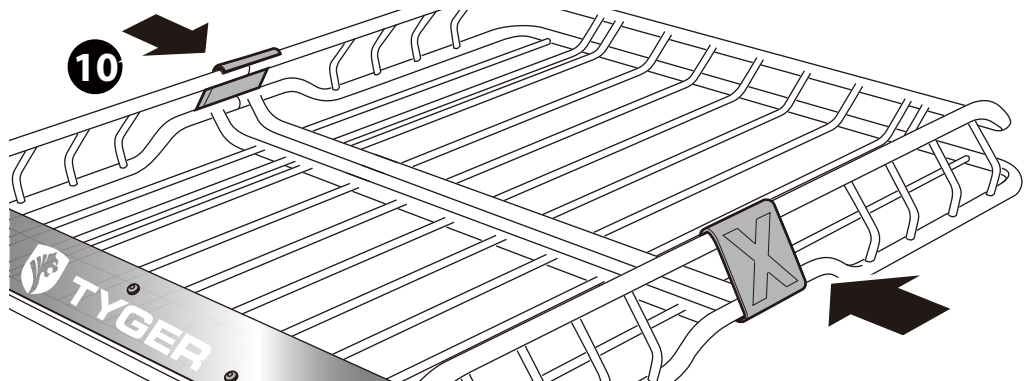
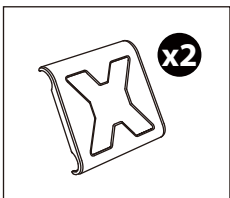
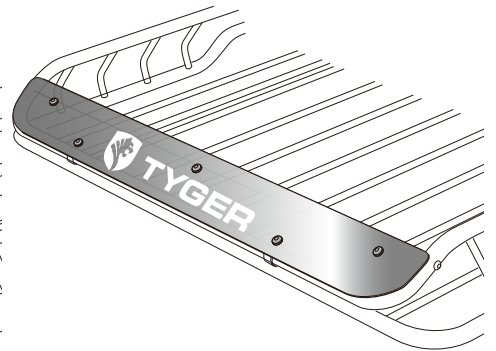
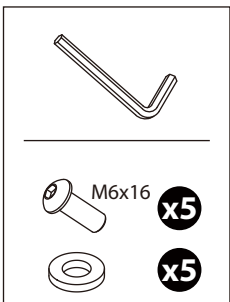
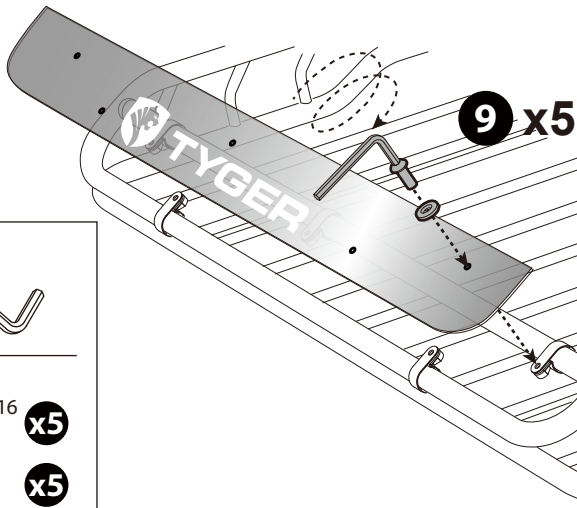
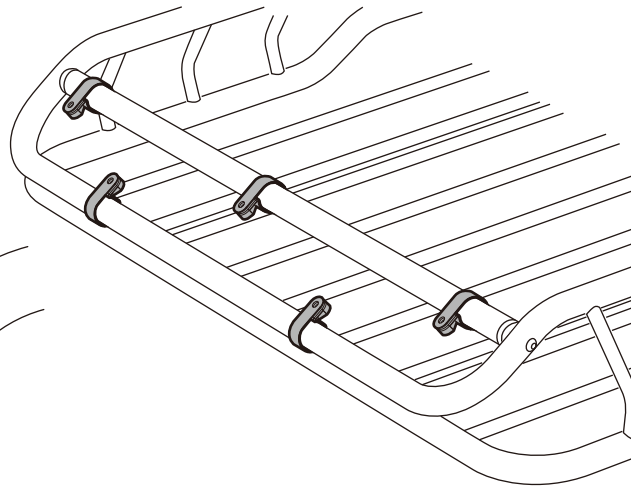
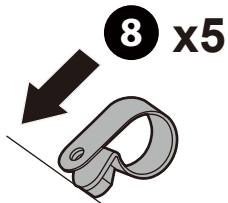
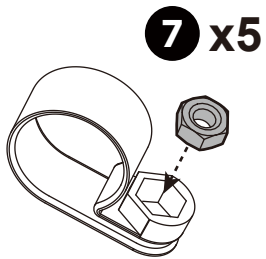
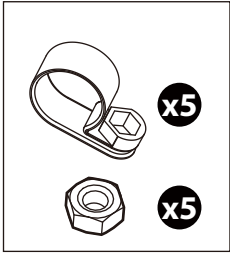
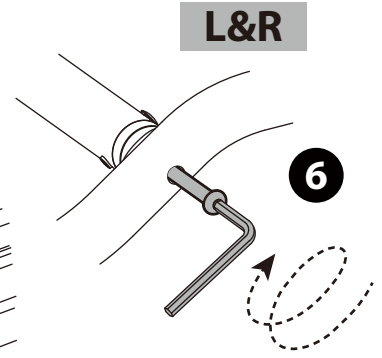
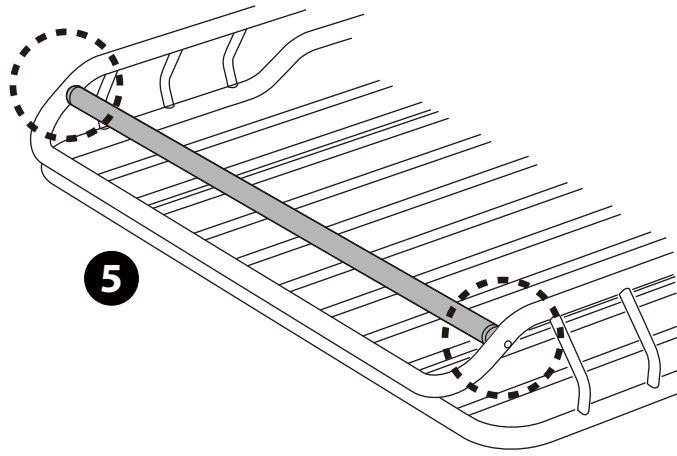
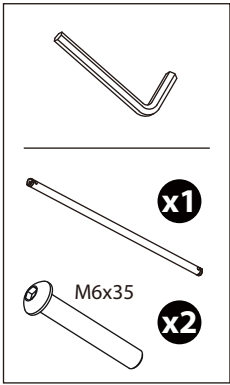
## Parts List

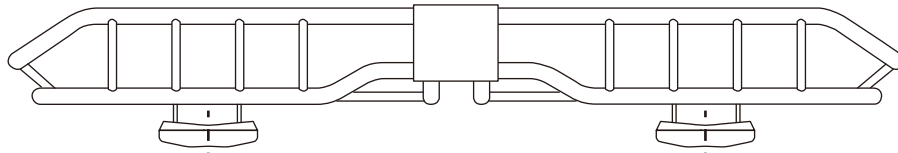


### Deflector accessories







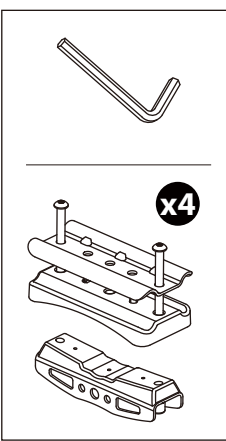
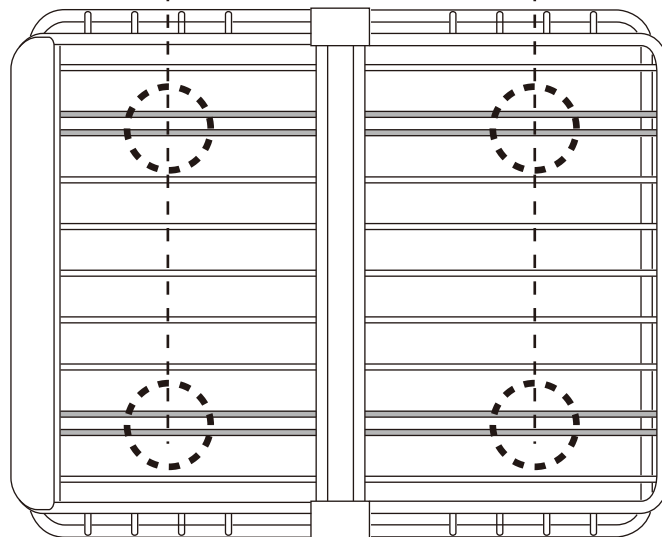
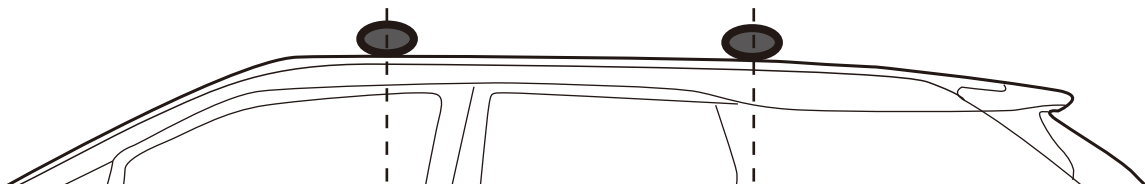


MAX 115cm / 45"

MIN 23cm / 9"

1

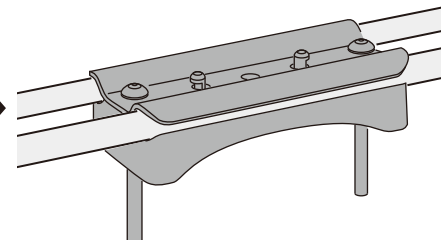
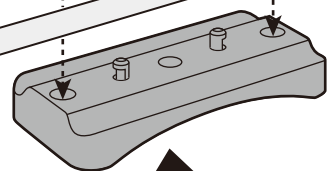
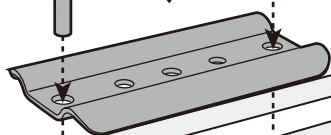
L



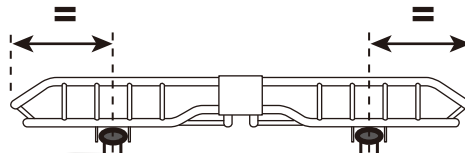
2



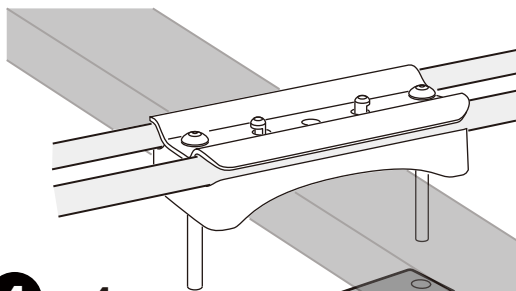
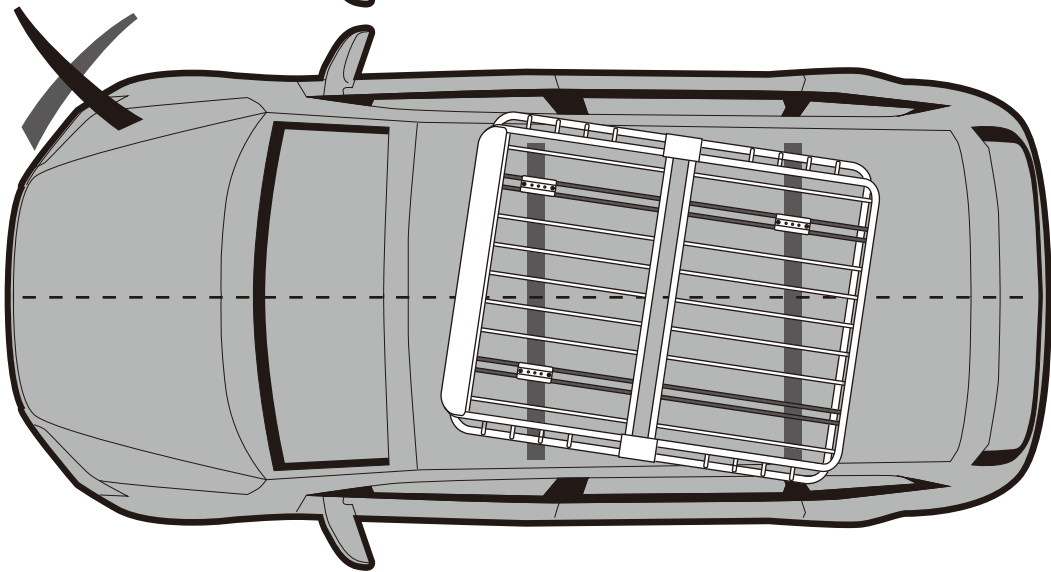
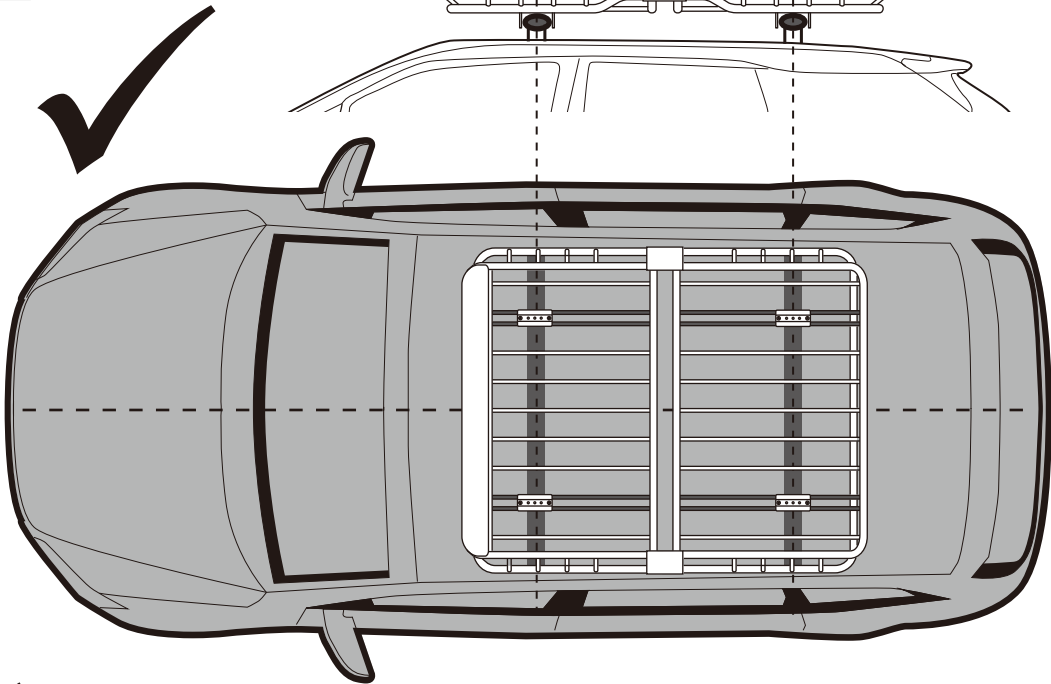
x4



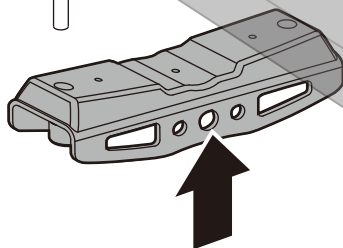
4



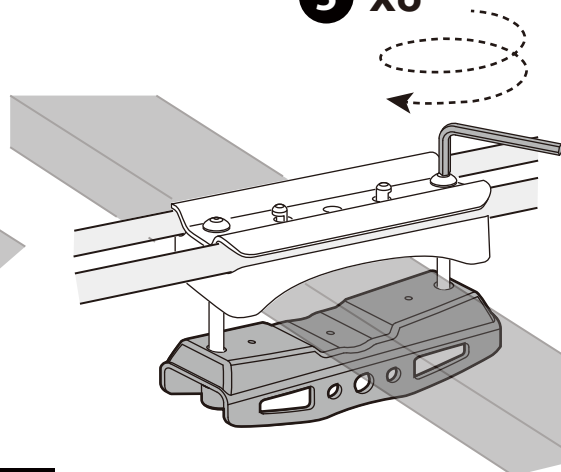
**3**



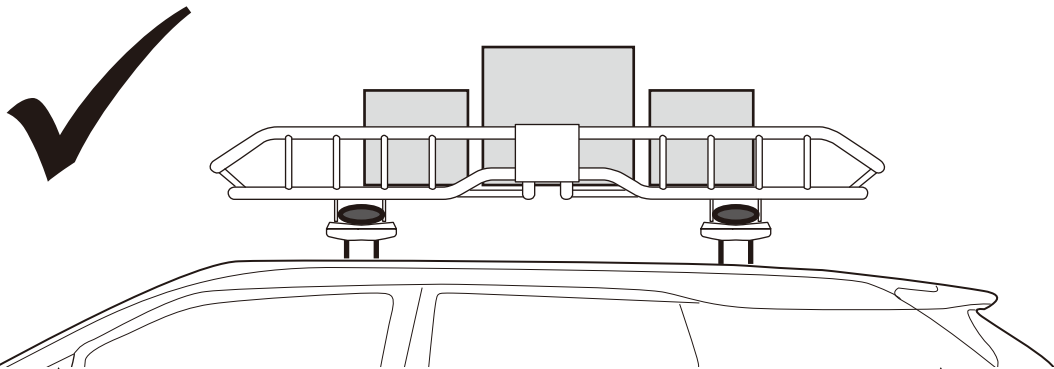
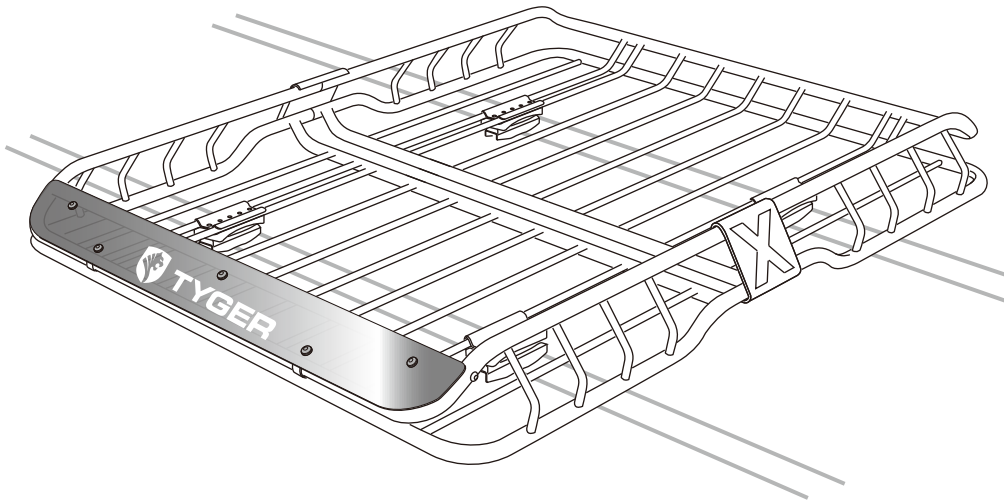
**4** x4



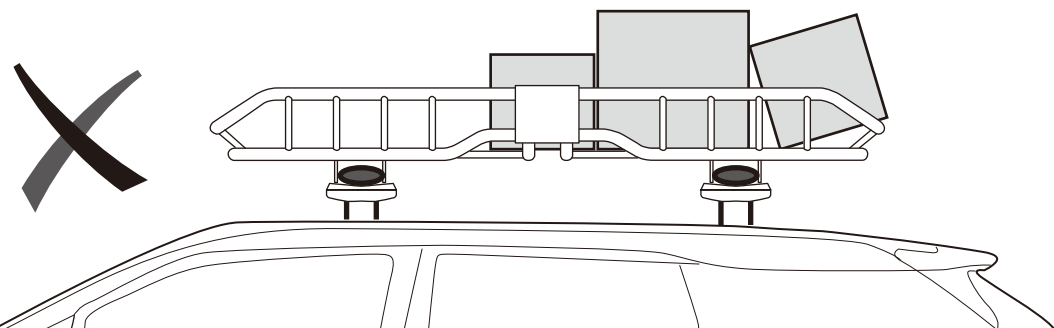
**5** x8



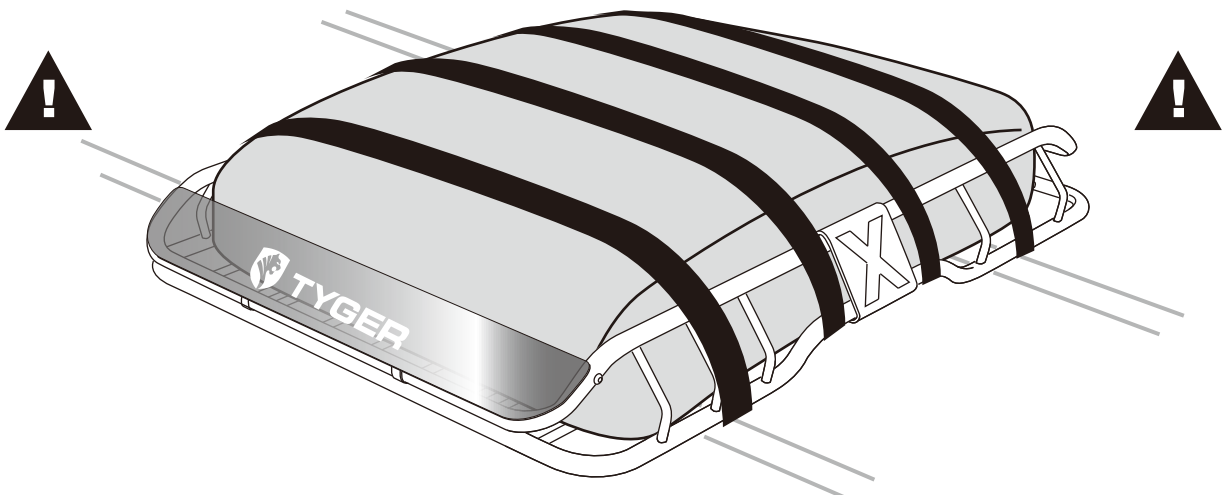
**5**



**! Equally distribute the weight of the cargo. !**



**Securely tie down the cargo .**



*Please read the instructions carefully. The end user is fully responsible for assembly and installation of this product.*

- *Do not carry more than 75 kg (165lbs.) on this load carrier. Make sure the total load (cargo weight plus weight of the bars ) does not exceed the car maximum load capacity (see the owner manual).*
- *Check the crossbar instructions or the car owner's manual for any restrictions about accessories used on the load bars.*
- *The height of your cargo will affect the possibility to access low entrance spaces.*
- *The cargo will affect your driving behavior.*
- *Front and rear of long loads must be tied down to the front and rear of vehicle using a solid part of the vehicle (tow hooks for example).*
- *Failure to properly install this product may cause damage to the car and in the worst case personal injury.*
- *Do not modify any components of the product.*
- *Do not use the product for other purposes than those for which they were designed.*
- *Please respect the speed limit and adapt your speed to the condition of the road.*
- *Before leaving and at every stop, please check that all the parts are firmly tightened.*
- *Check periodically your product for signs of wear, corrosion and fatigue.*
- *During your trip, periodically check that your load is firmly attached.*
- *Please consult your store if you have any questions regarding this product.*
- *Remove your cargo basket before entering automatic car washes.*
- *Use lubricant on the bolts to avoid corrosion.*