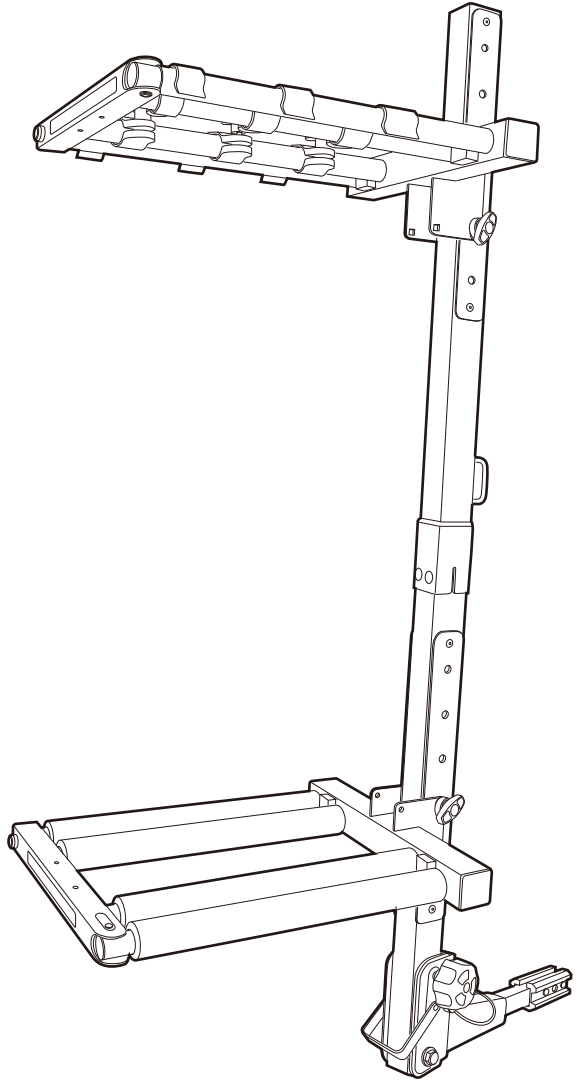


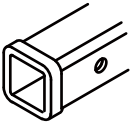


TYGER

TG-RK1B707B



2"/1.25"



16.5 kg
36.3 lbs

4



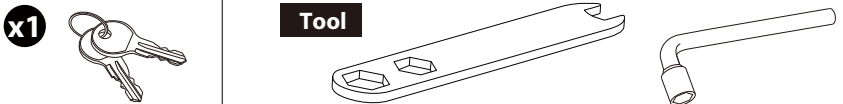
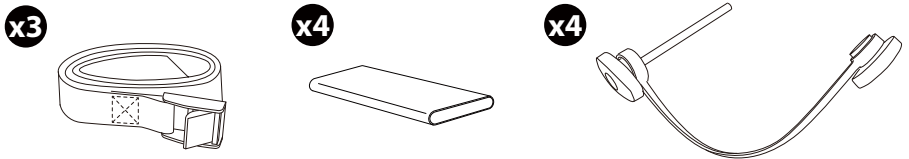
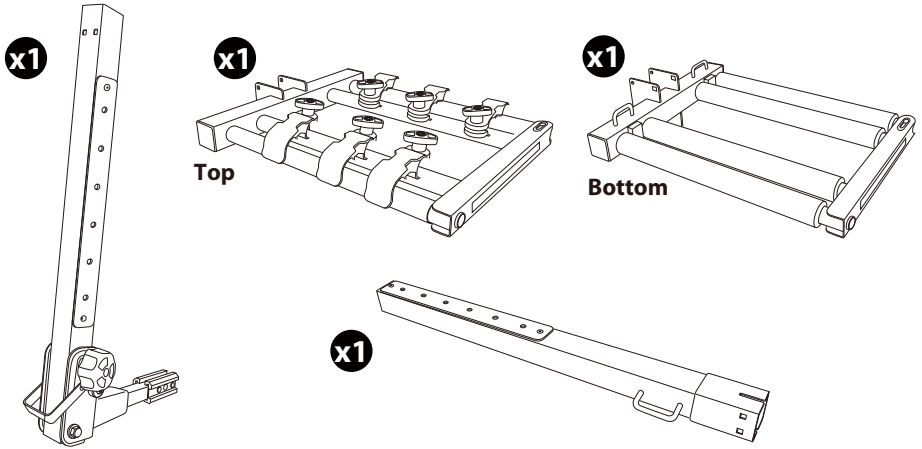
MAX 45 kg
MAX 99lbs

6 pairs

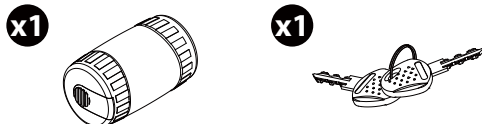


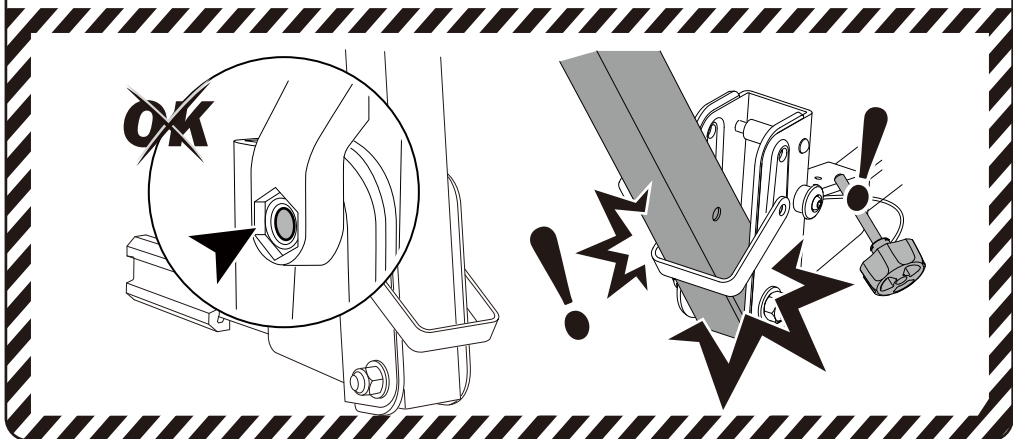
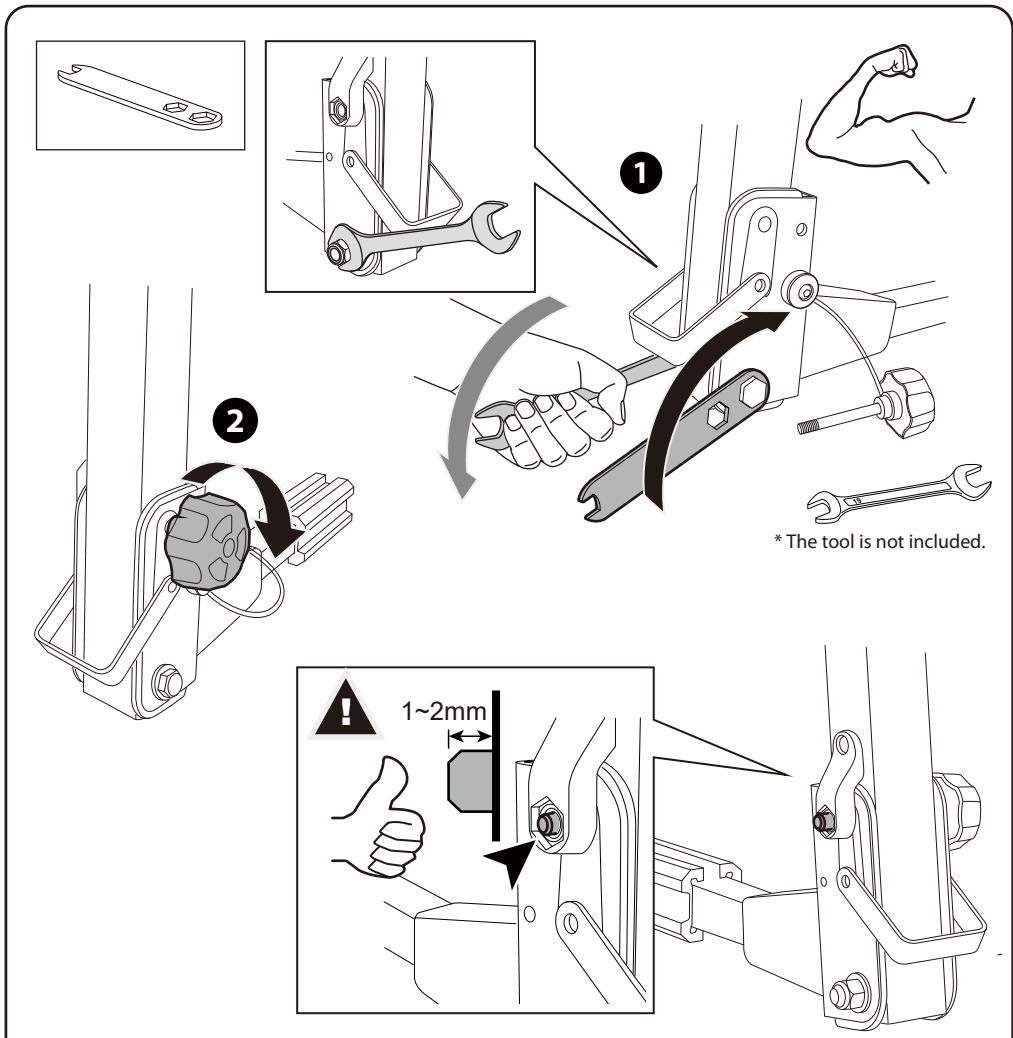
MAX 45 kg
MAX 99lbs

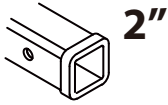
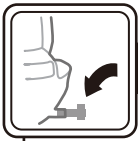
PART LIST



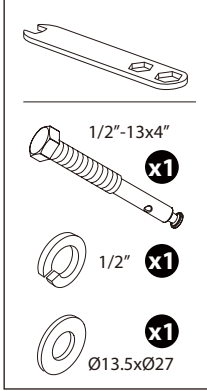
! For security reason, we do NOT keep any spare keys. In case of loss, please find your local locksmith.



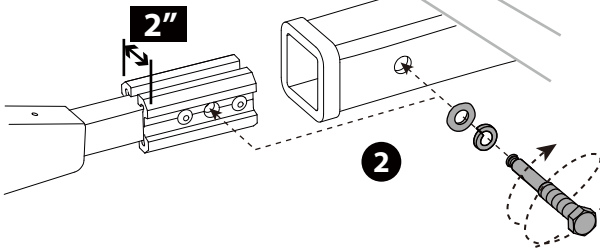
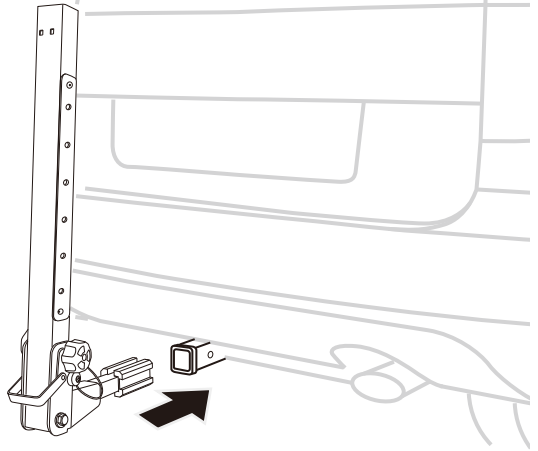




2"



1

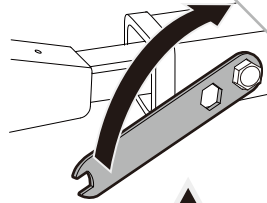


2"

2



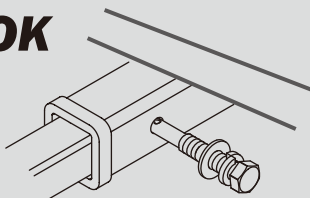
3



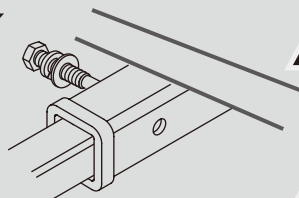
The hitch pin screw must be tightened to avoid rattling.

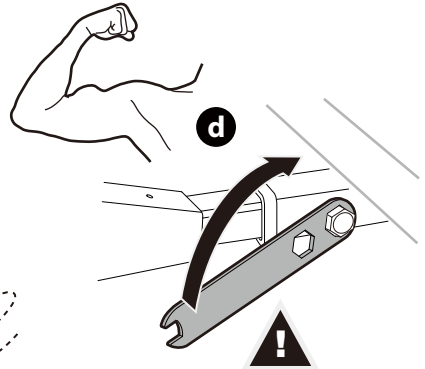
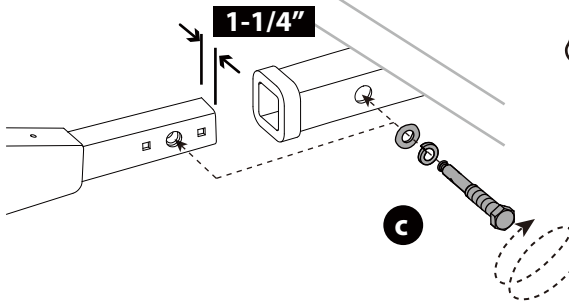
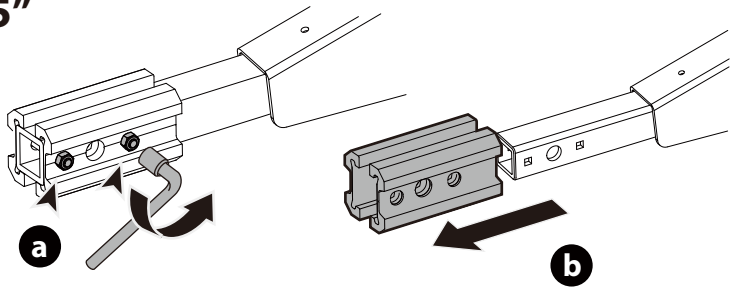
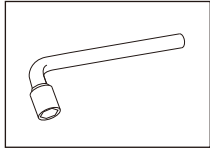


OK

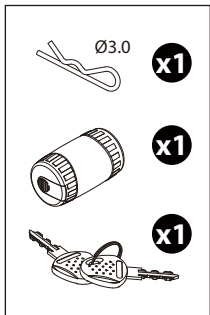


~~OK~~

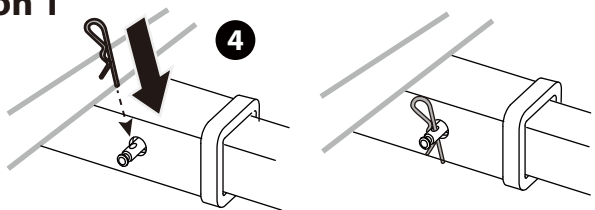




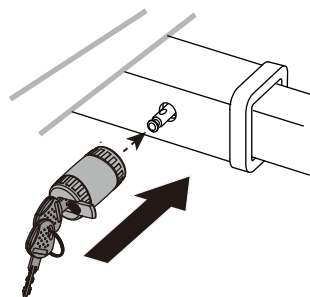
The hitch pin screw must be tightened to avoid rattling.

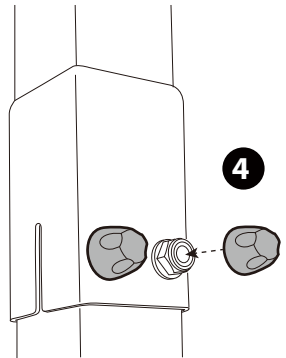
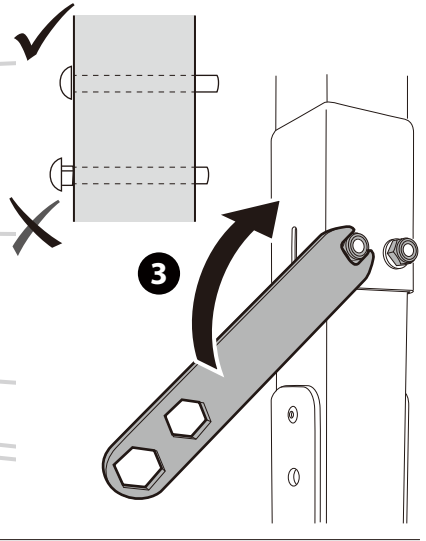
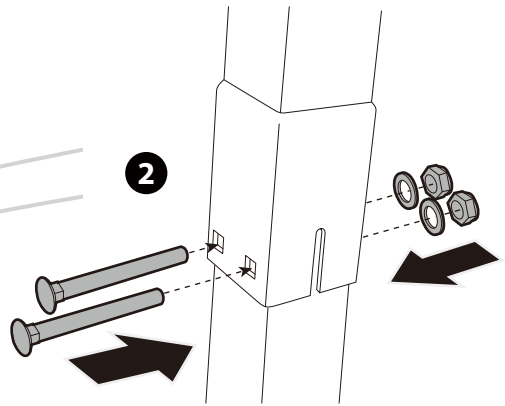
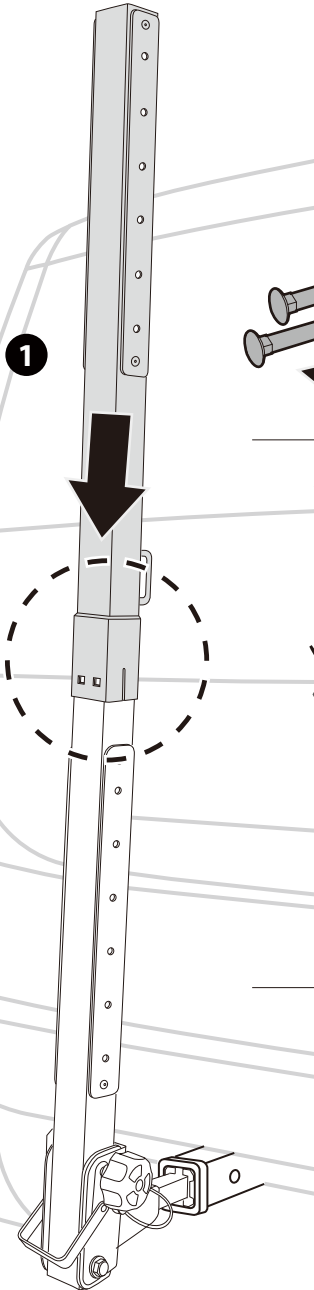


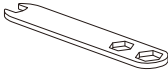




option 1

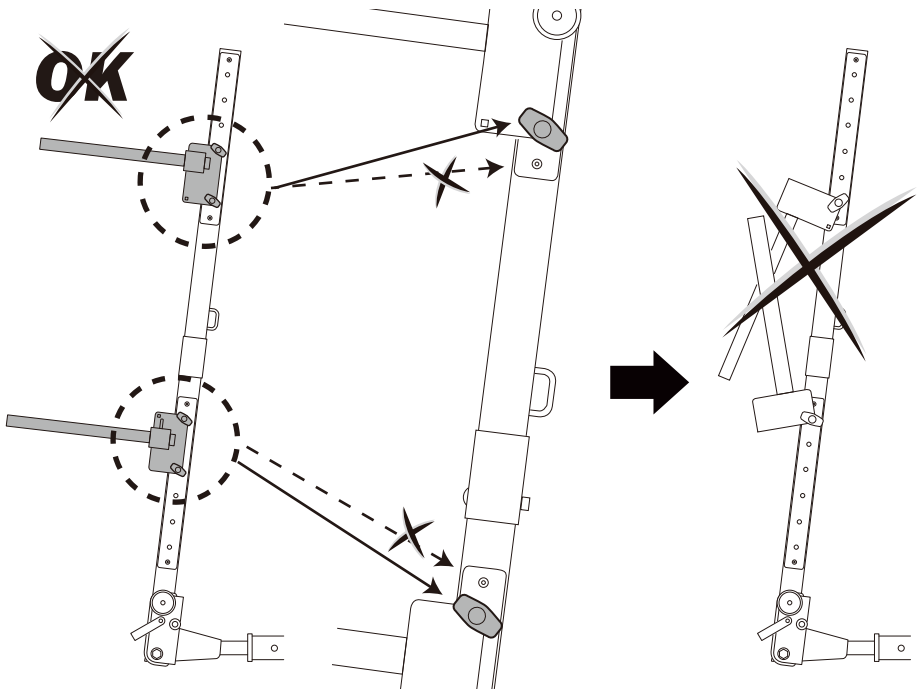
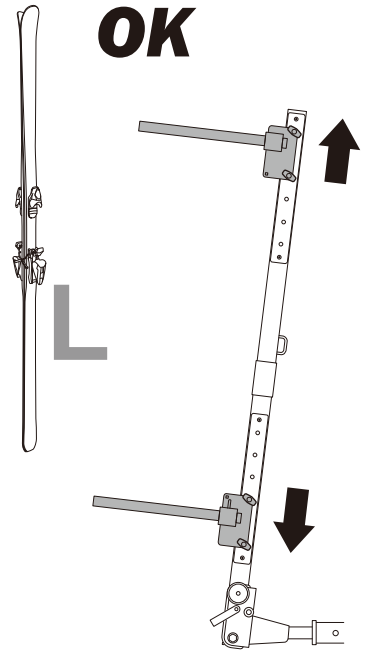
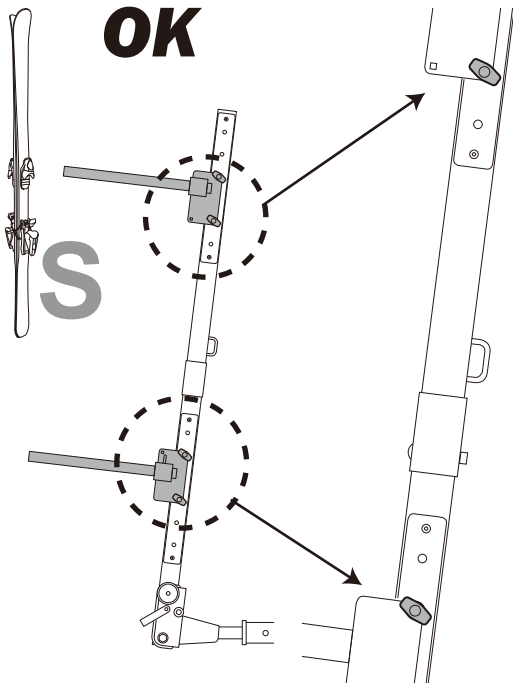


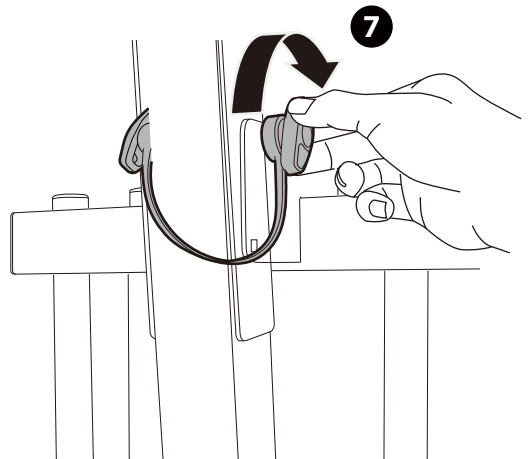
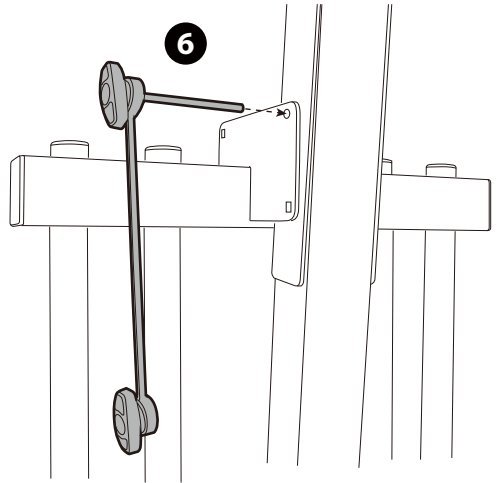
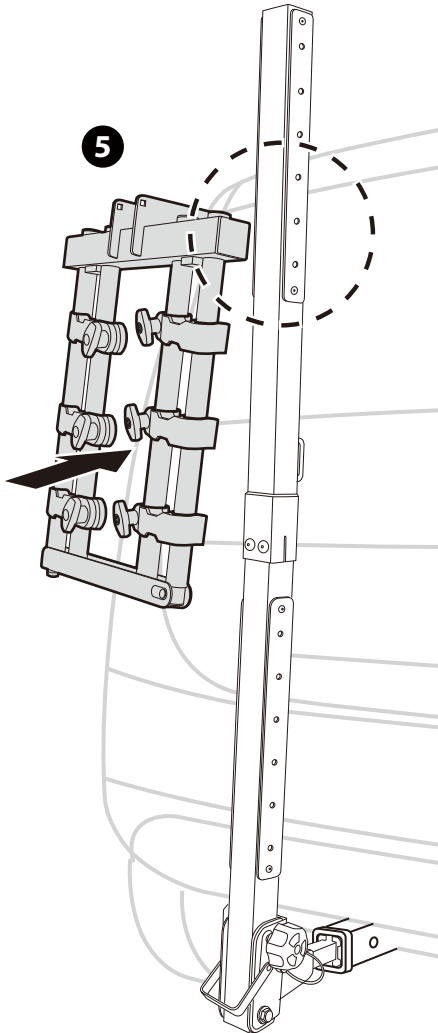
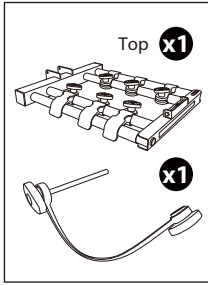
option 2

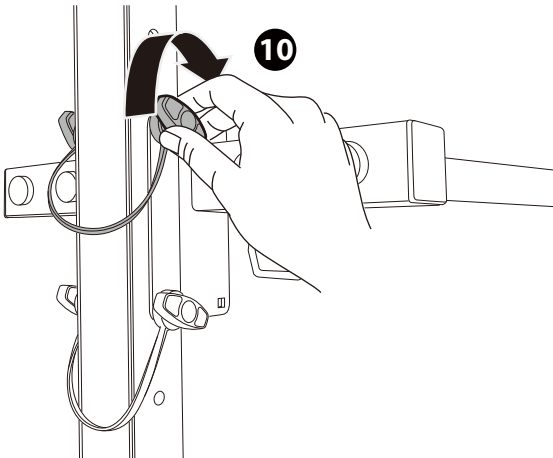
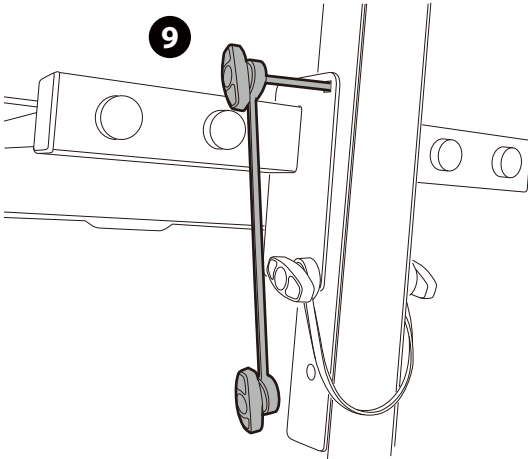
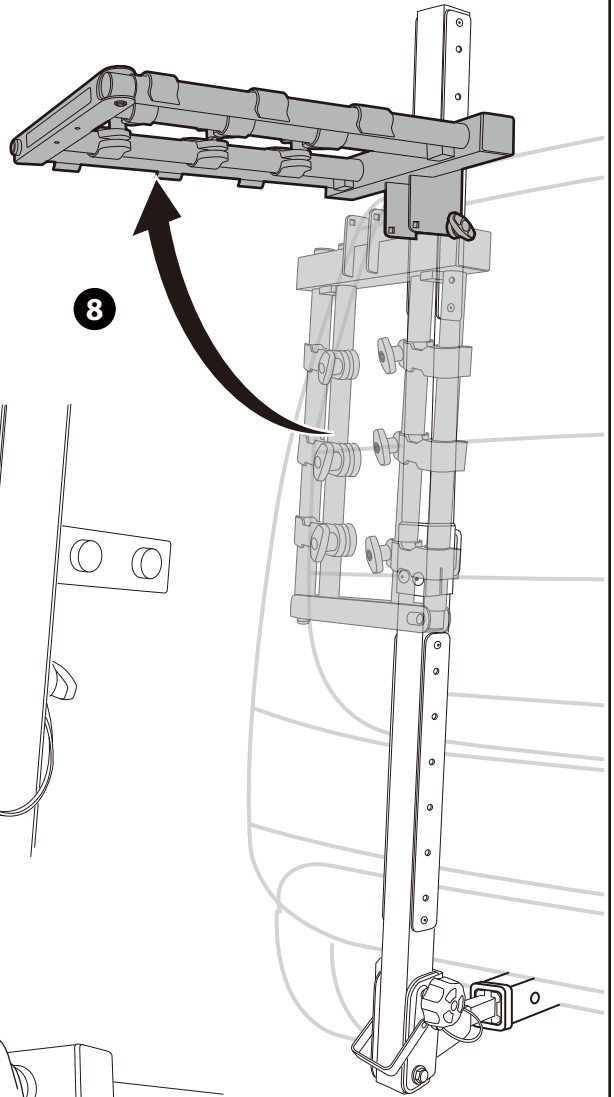
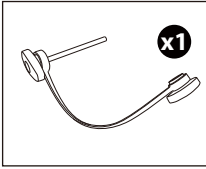


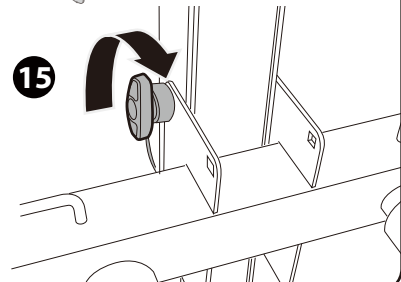
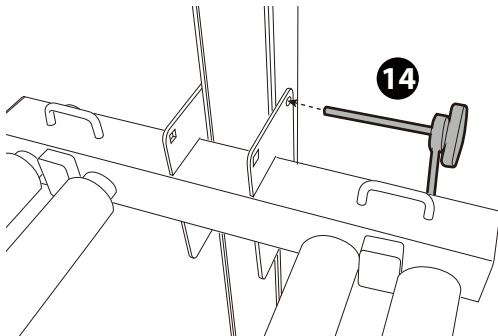
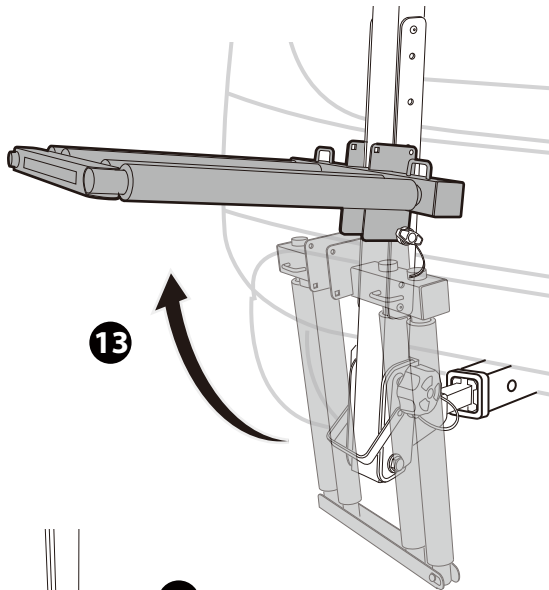
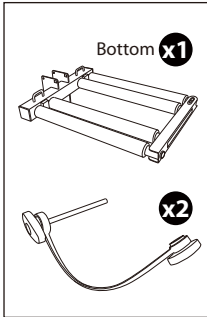
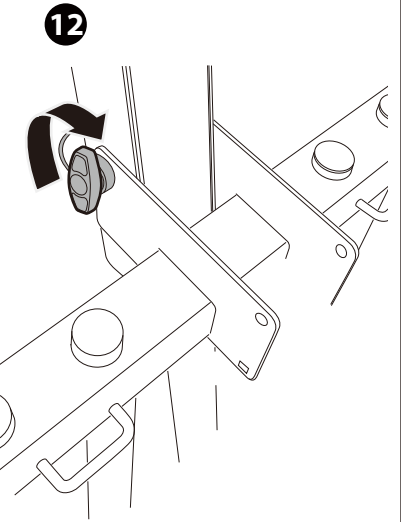
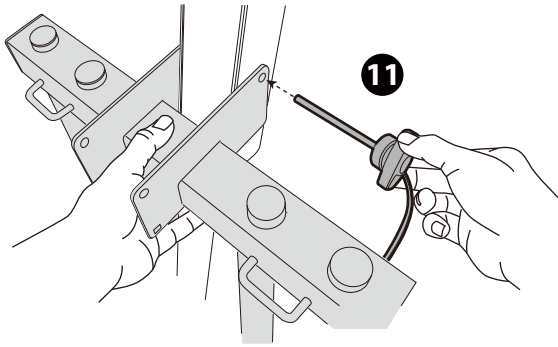


- 
-  M8x65mm **x2**
-  Ø8.5xØ19 **x2**
-  M8x1.25 **x2**
-  M8 **x2**

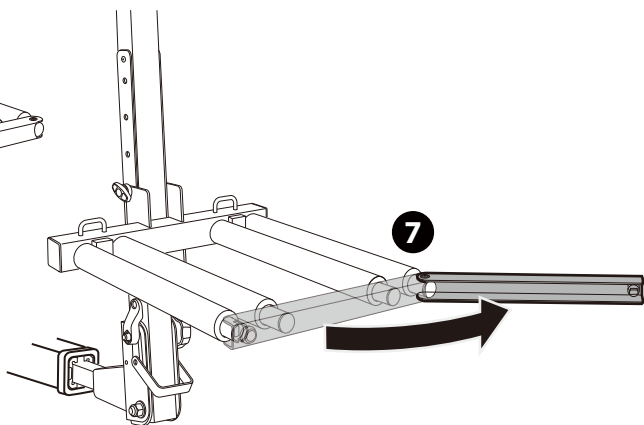
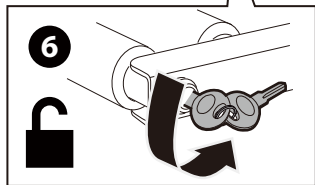
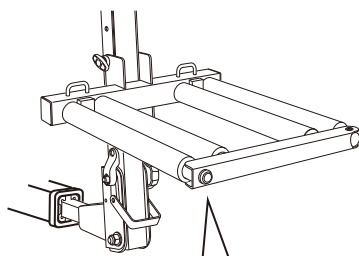
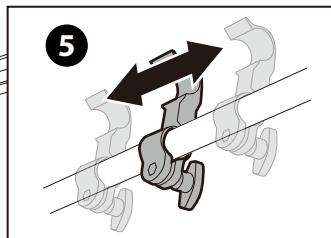
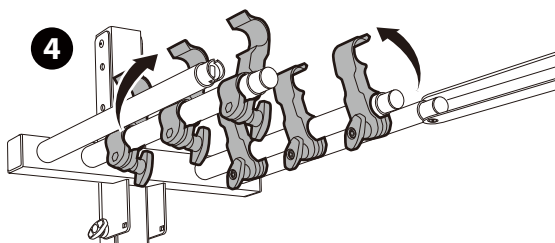
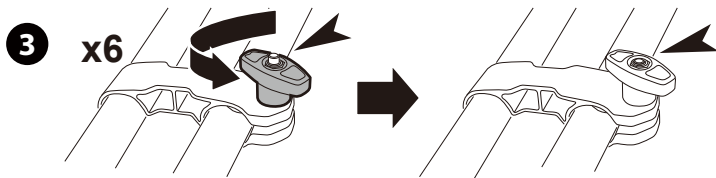
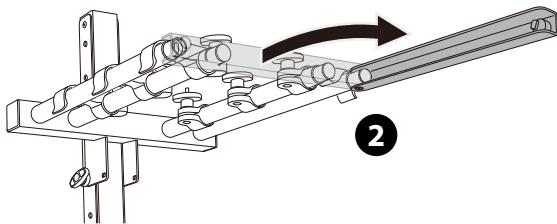
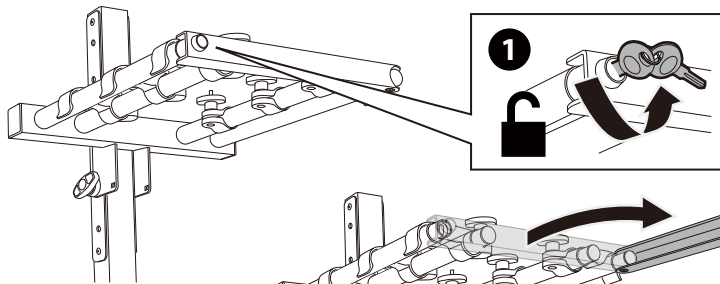


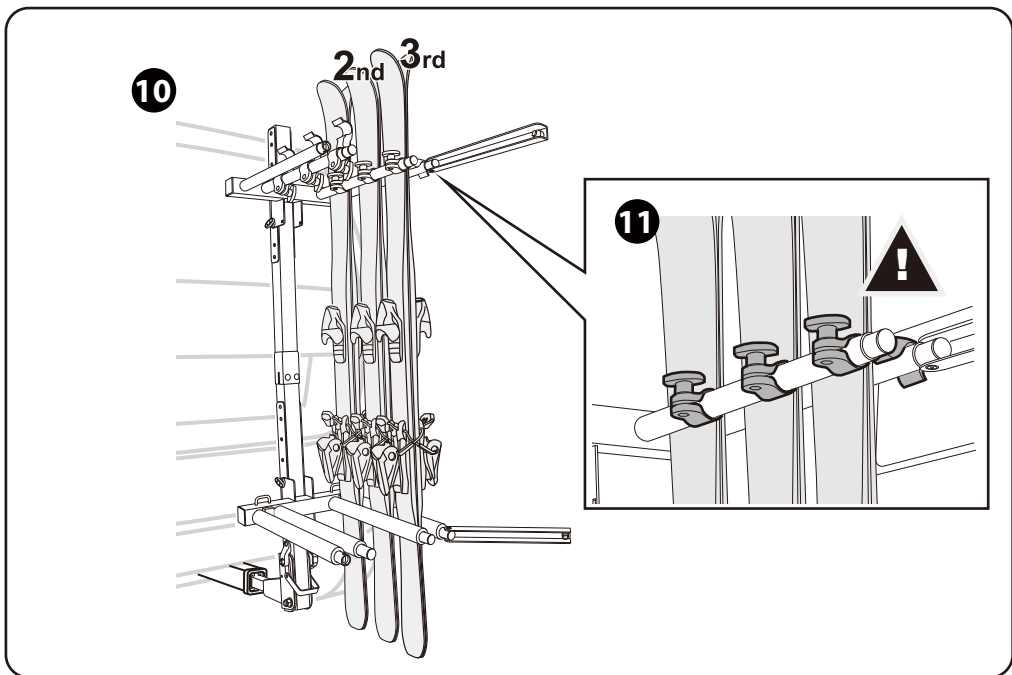
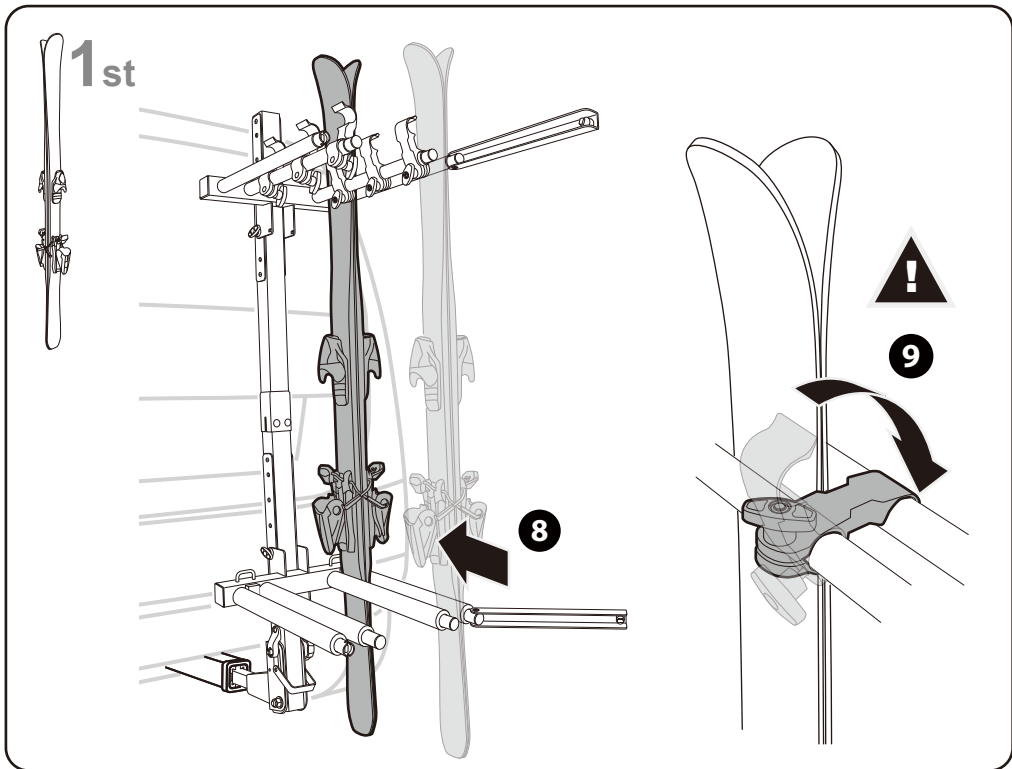


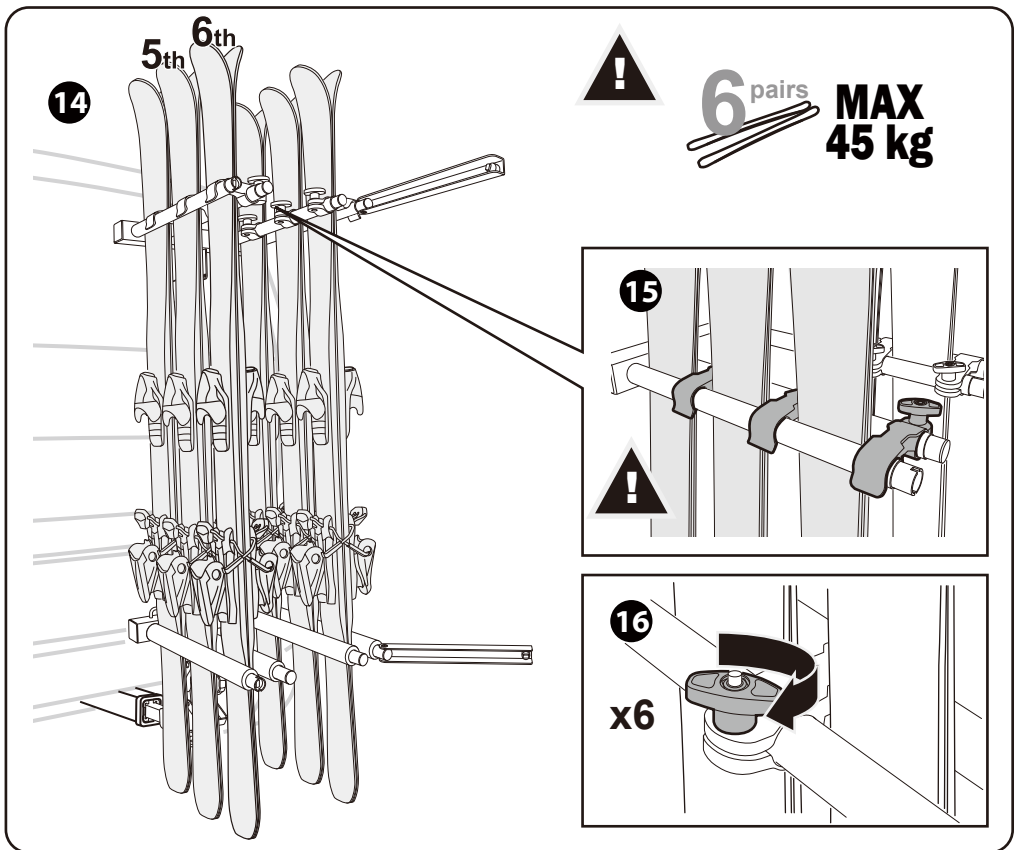
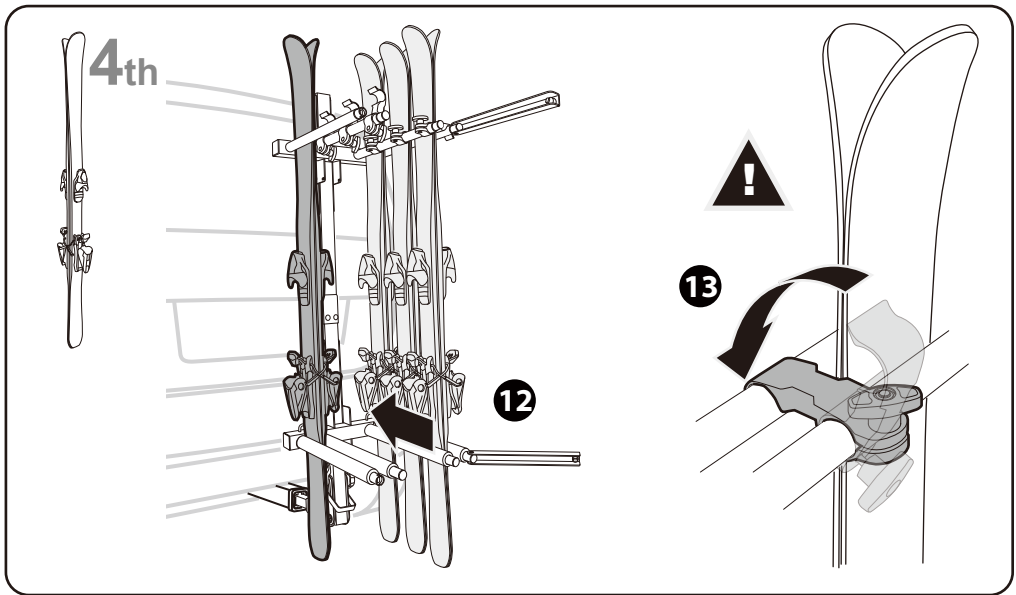


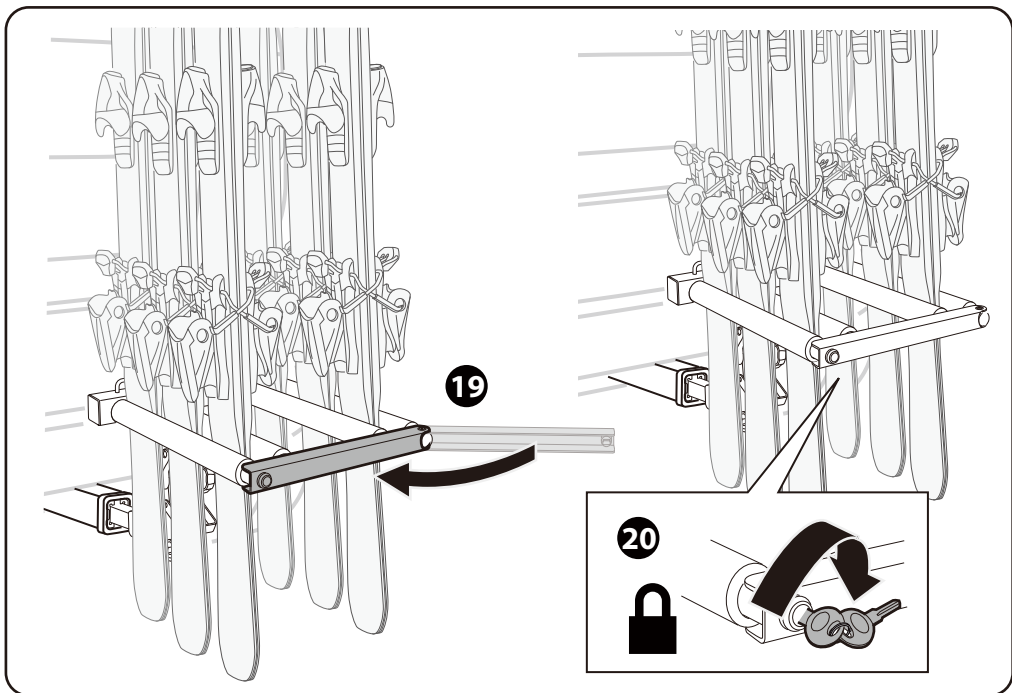
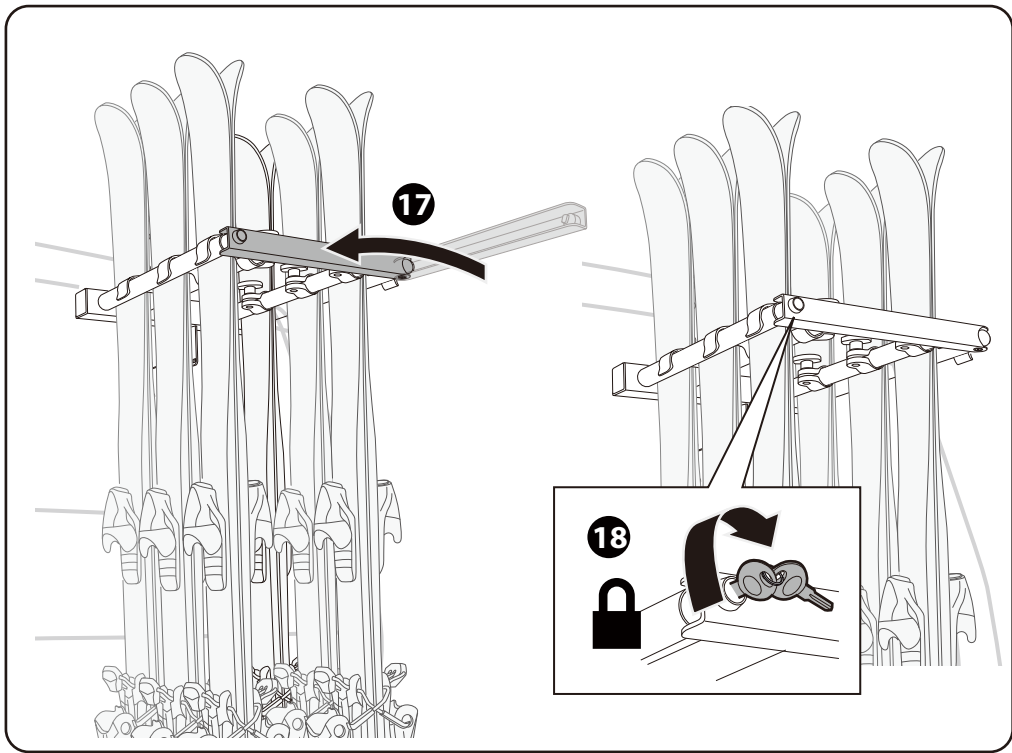


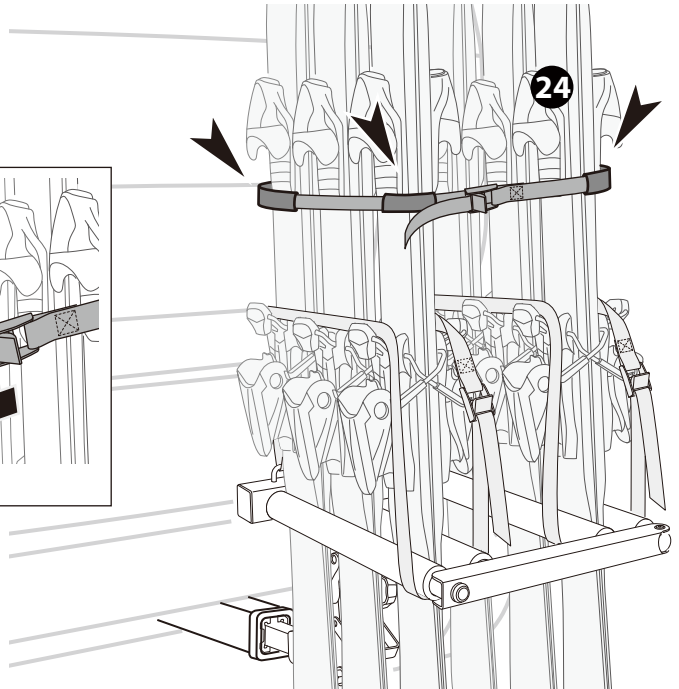
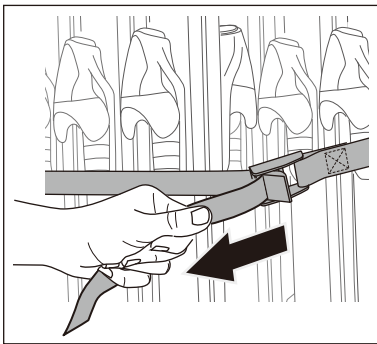
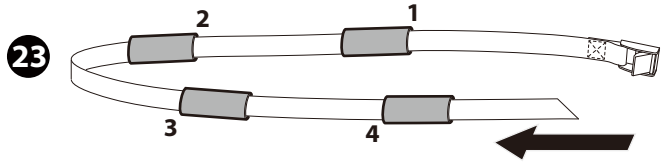
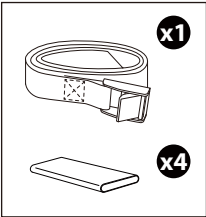
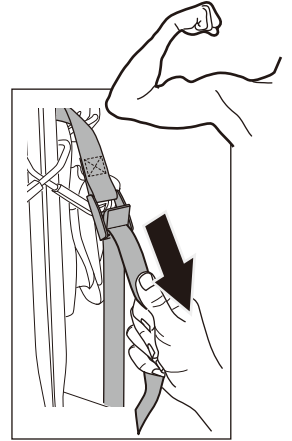
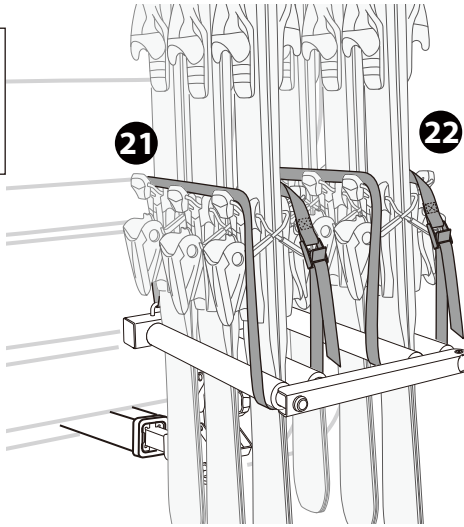
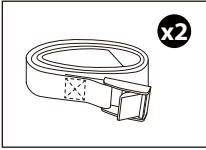
6 pairs

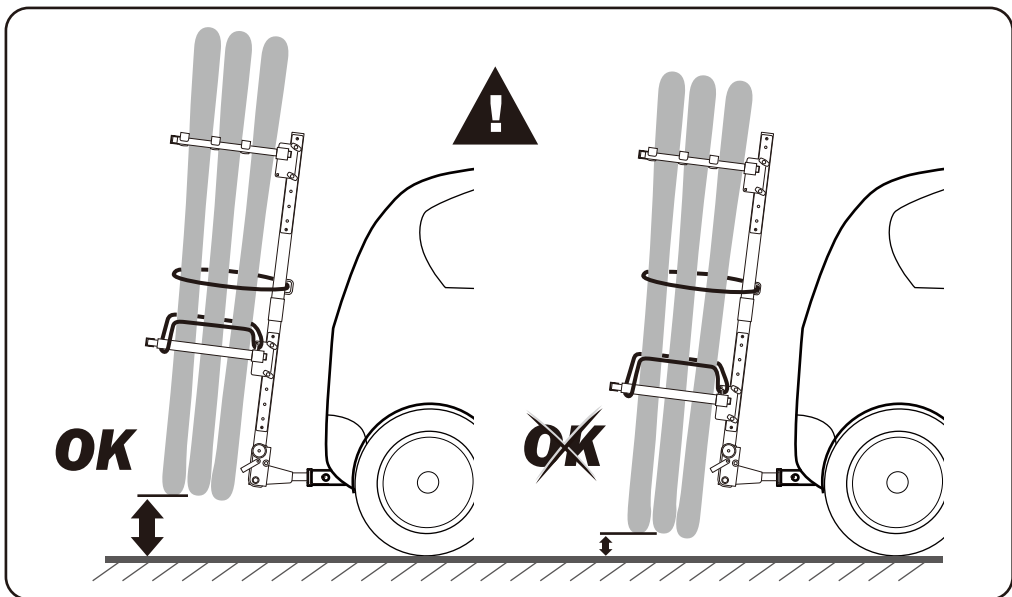
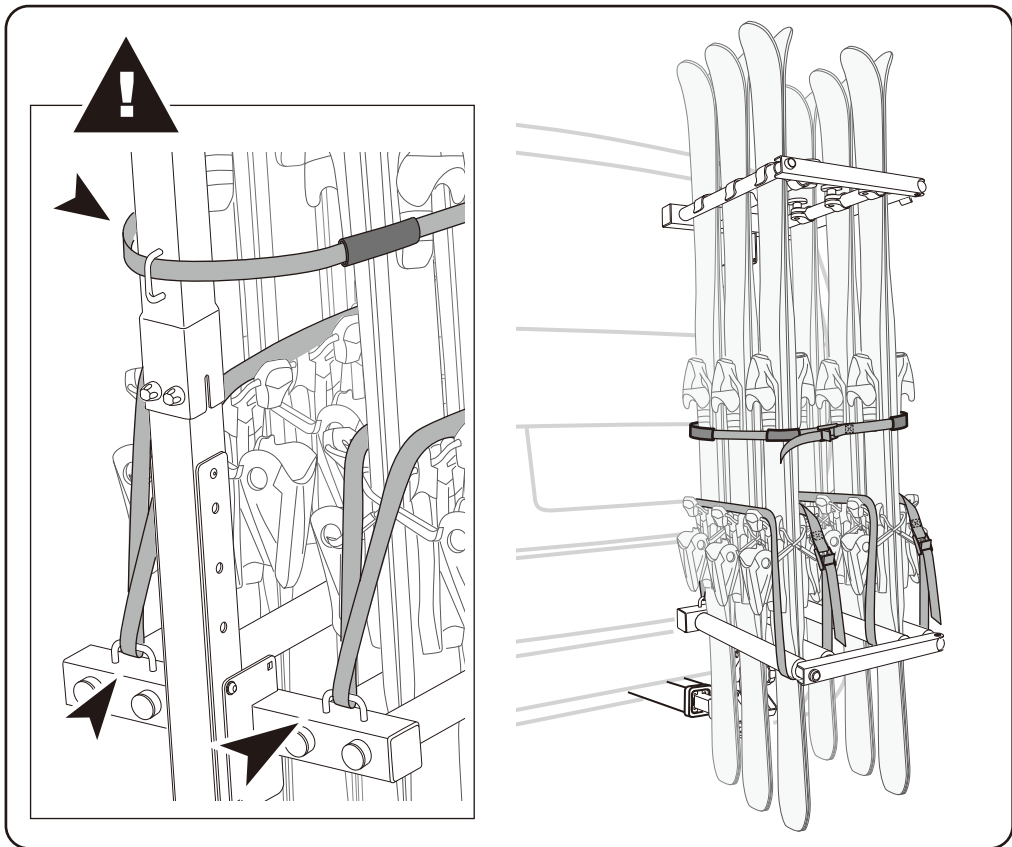


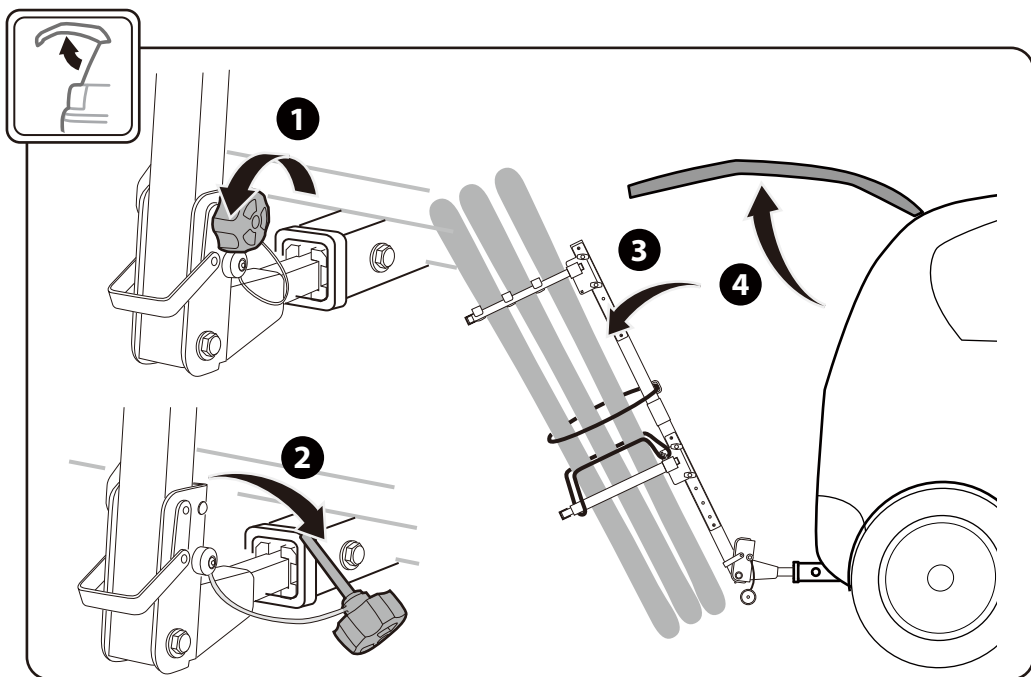
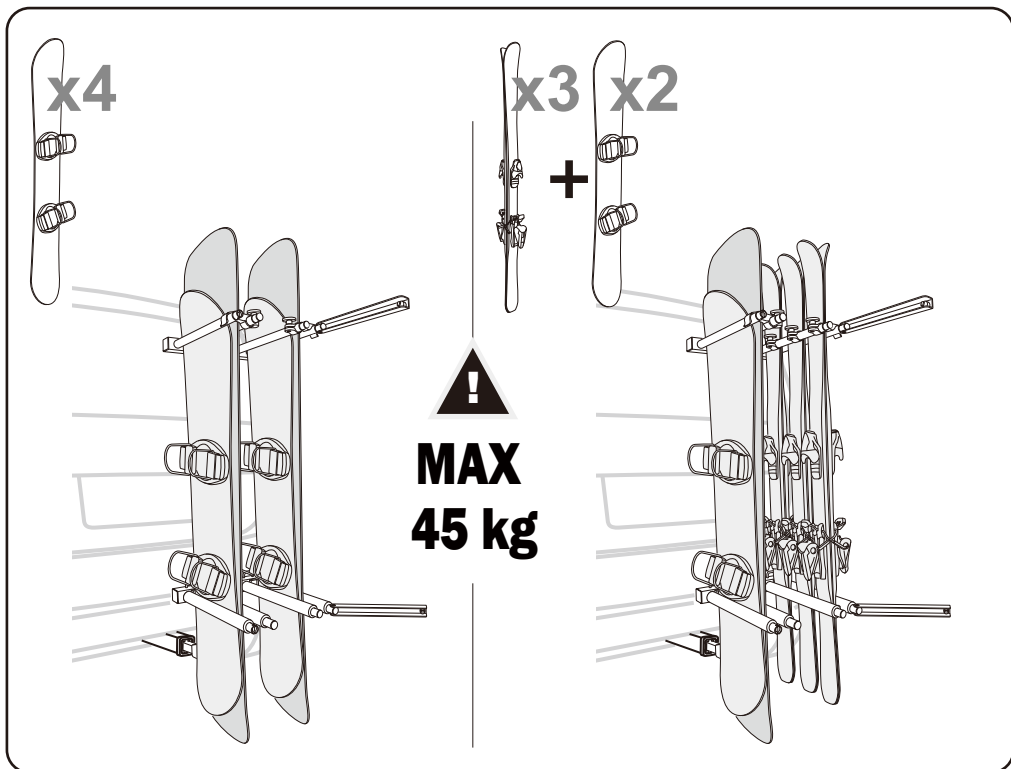


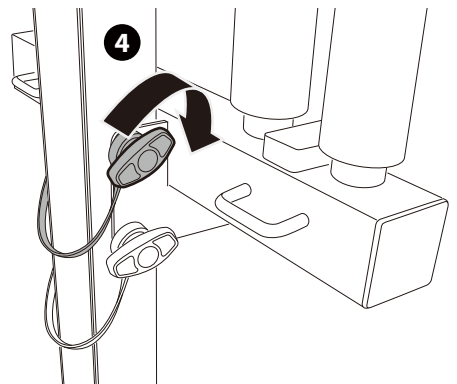
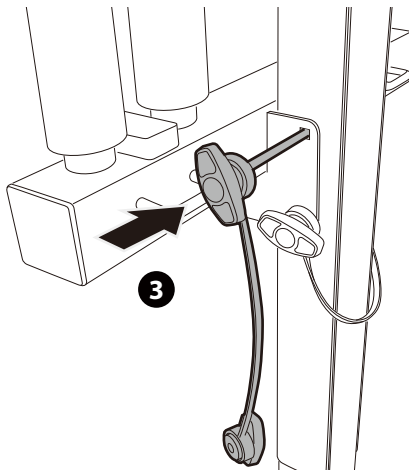
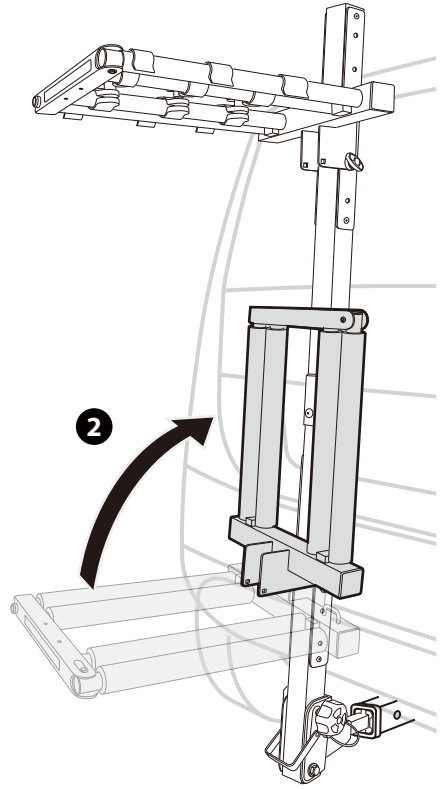
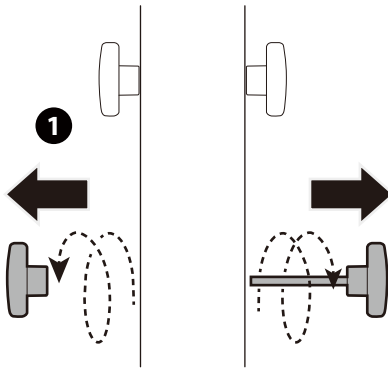
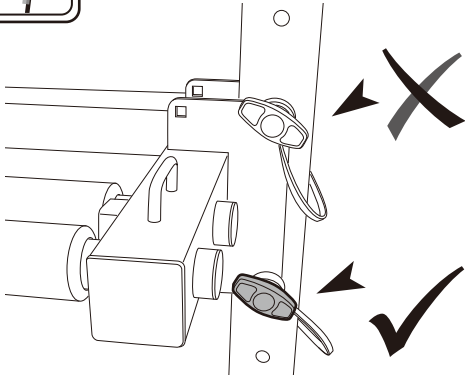


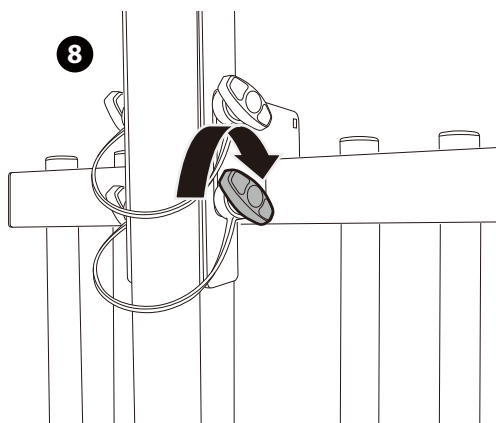
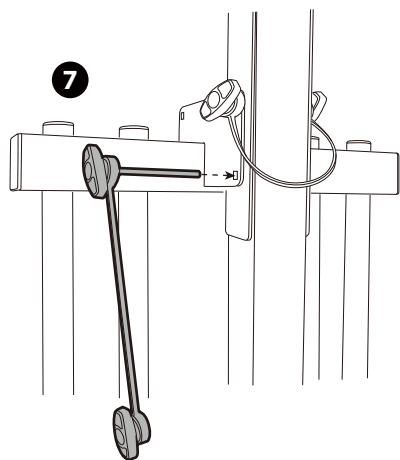
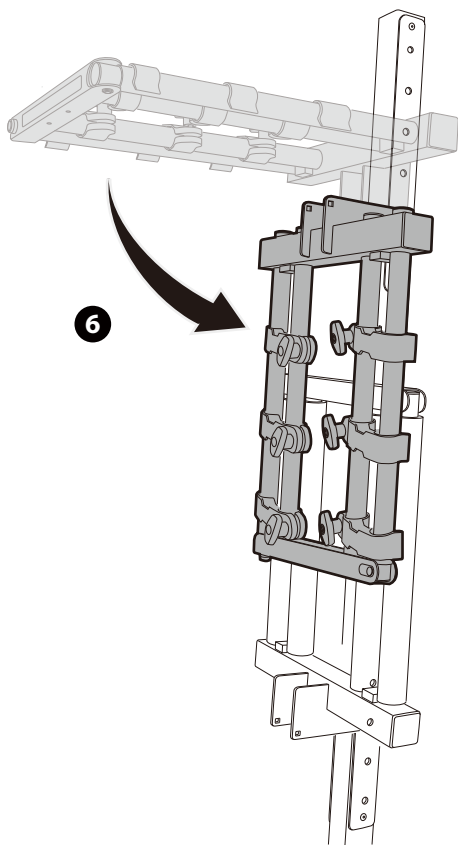
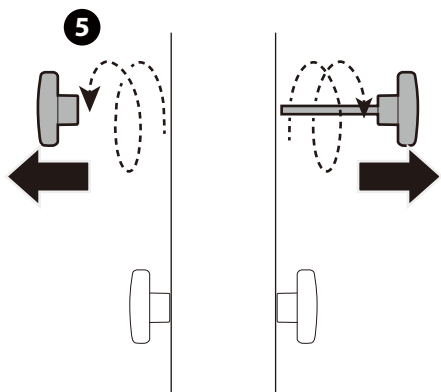
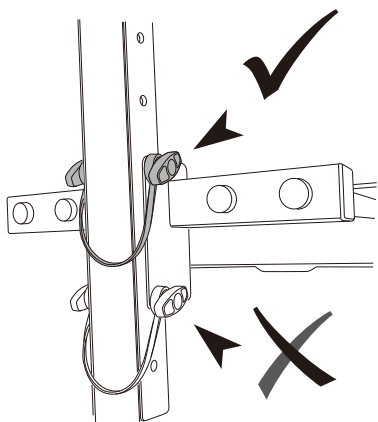


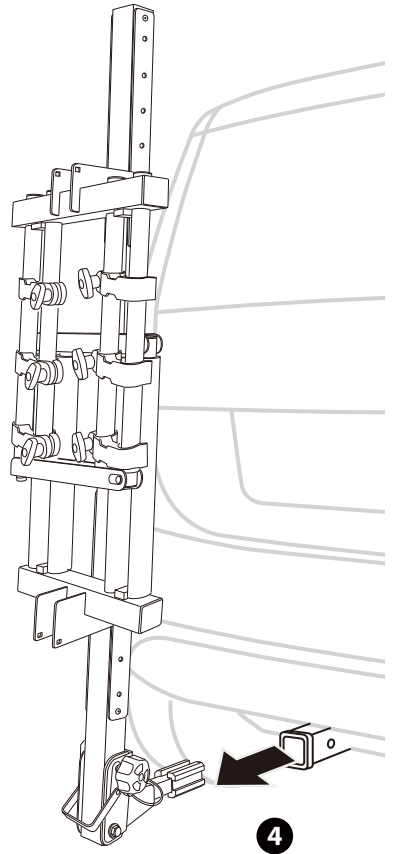
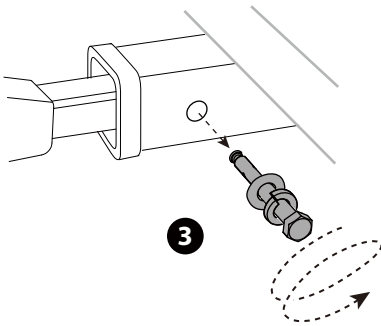
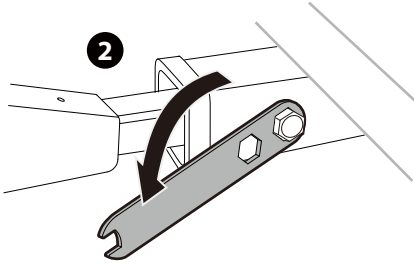
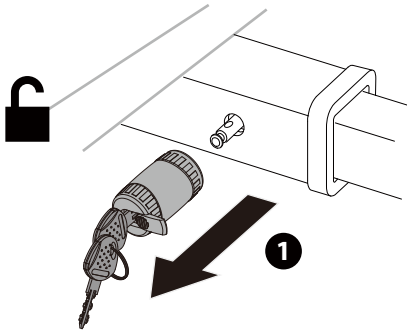














WARNINGS

GENERAL REMARKS

01. Fits 1 1/4" (3.2 cm) and 2" (5.1 cm) hitch receivers.
02. Please read and observe the instructions carefully before you use the product, and keep them in a safe place for future use. Check the part list after opening the package. Make sure that all the parts are fully assembled according to the instruction before fitting it on your car.
03. The user is responsible for assembly and installation of this product, and the manufacturer disclaims any liability due to improper fitting or use of the product.
04. Failure to properly install the product and/or heavy loading may cause damage to the vehicle and/or the objects, and may result in personal injury.
05. Do not use this product for purposes other than those for which it is designed. Do not modify any components of the product. Remove the carrier if not in use.
06. Do not use the product to carry more weight than recommended in the chart in page on of the manual.
07. Do not install the product on trailers, campers, or RVs.

SAFE AND PROPER USE

01. Please make sure you clean the surface of the towball completely before installing the rack.
02. Always use the safety straps provided to secure the load.
03. Always check that load is evenly distributed on the platform.
04. The user is responsible for periodically verifying that all hardware, straps, knobs, hubs are securely tightened for safety purposes.
05. You might have to use more webbings to secure your loading.
06. Do not open the gate with the platform installed on the carrier.
07. The locks used on this rack are theft deterrent.
08. Before leaving and at every stop, please check that all the parts and cargo are firmly tightened.

ROAD SAFETY

01. If the carrier obstruct the vehicle's tail lights and license plate, you must use an additional signal board.
02. The rack increases the vehicle's length and weight. Be aware of this when passing through narrow or low clearance spaces and when reversing. Any loads exceeding the indicated dimensions must nevertheless respect existing regulations and be properly strapped down.
03. The load of the rack will affect driving. Do not exceed the speed limit, and do not drive faster than 120 km/h (75 mph).
04. Drive slowly over speed bumps. Respect the speed limit, and adapt your speed to the condition of the road.
05. Off-road driving is not recommended and could result in damage to your vehicle, hitch receiver, platform, or your load.
06. If you hit a bump or a hole in the road, stop your vehicle and inspect the load and the carrier. If you notice anything wrong, remove the load and do not use the carrier.
07. Make sure there is a safe distance between the load and the ground, especially when entering a driveway.

MAINTAINING YOUR BICYCLE RACK

01. Periodically inspect the product for signs of wear, corrosion, and fatigue.
02. Do not use the carrier with defective parts, contact the dealer to replace them before using it again.
03. Remove the product before entering an automatic car wash.
04. To keep your product in the best condition, it is recommended to remove the product from the car when not in use.
Please be advised that this product is not designed to resist extreme weather conditions, especially seacoast air.
05. Lubricate the bolts in order to avoid corrosion.

Discover other roof racks and cargo carriers on our website.