



TYGER LANDER®

TG-LD2T60208

BEFORE INSTALLATION

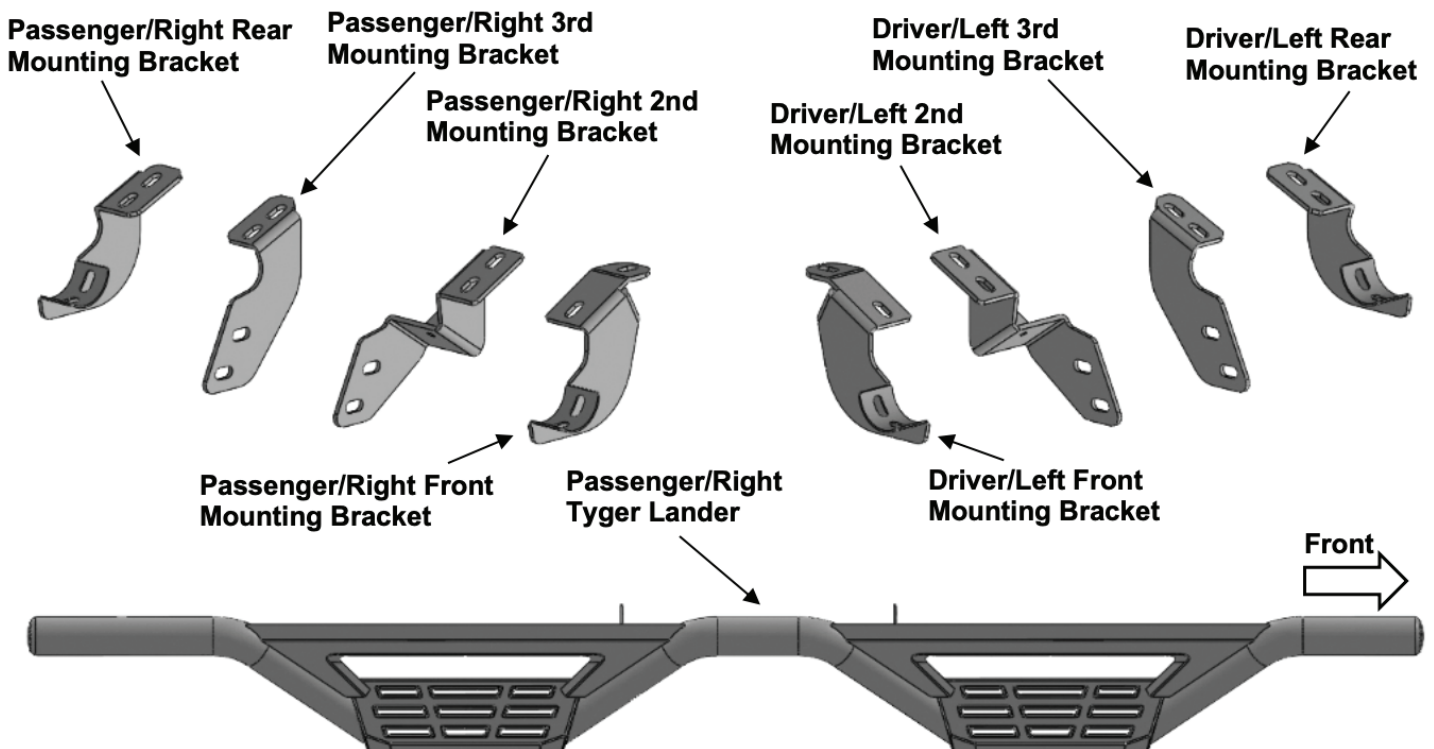
READ INSTRUCTIONS CAREFULLY BEFORE STARTING INSTALLATION. REMOVE CONTENTS FROM BOX AND VERIFY ALL PARTS ARE PRESENT. FAILURE TO IDENTIFY DAMAGE BEFORE INSTALLATION COULD LEAD TO A REJECTION OF ANY CLAIM. IF MISSING PARTS OR ANY DAMAGE FOUND, PLEASE TAKE A PICTURE FOR THE CLAIM PURPOSE.

TORQUE VALUES

| Fastener Size | Class 8.8 Torque (ft-lbs) | Class 10.9 Torque (ft-lbs) |
|---------------|---------------------------|----------------------------|
| 6mm | 6-7 | 6-7 |
| 8mm | 15-16 | 22-23 |
| 10mm | 31-32 | 44-45 |
| 12mm | 54-55 | 78-79 |
| 14mm | 87-88 | 125-126 |

Parts List

- x1 Driver/Left Tyger Lander
- x1 Passenger/Right Tyger Lander
- x1 Driver/Left Front Mounting Bracket
- x1 Passenger/Right Front Mounting Bracket
- x1 Driver/Left 2nd Mounting Bracket
- x1 Passenger/Right 2nd Mounting Bracket
- x1 Driver/Left 3rd Mounting Bracket
- x1 Passenger/Right 3rd Mounting Bracket
- x1 Driver/Left Rear Mounting Bracket
- x1 Passenger/Right Rear Mounting Bracket
- x8 10-1.5mm x 35mm Hex Bolts
- x16 10mm x 27mm OD x 3mm Flat Washers
- x8 10mm Nylon Lock Nuts
- x16 8-1.25mm x 30mm Hex Bolts
- x8 8-1.25mm x 25mm Combo Bolts
- x16 8mm Lock Washers
- x16 8mm x 24mm OD x 2mm Flat Washers





STEP 1

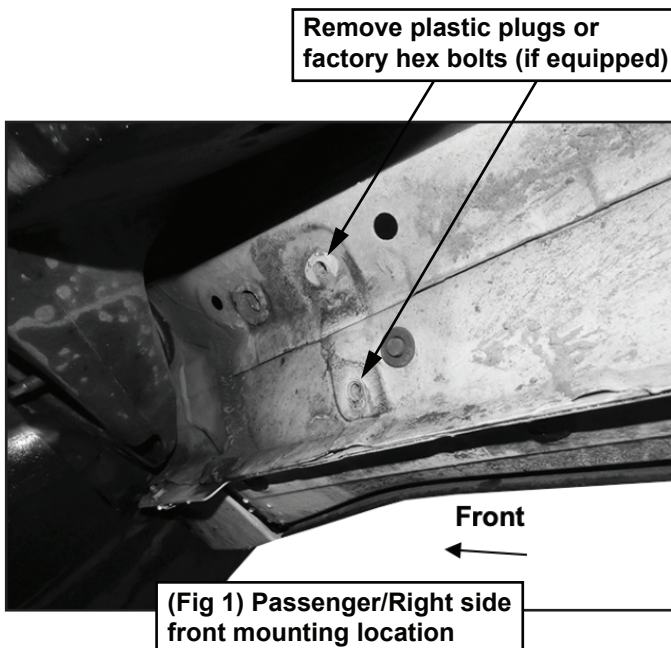
REMOVE CONTENTS FROM BOX. VERIFY ALL PARTS ARE PRESENT. READ INSTRUCTIONS CAREFULLY. USE ILLUSTRATION TO IDENTIFY BRACKETS AND RUNNING BOARDS.

STEP 2

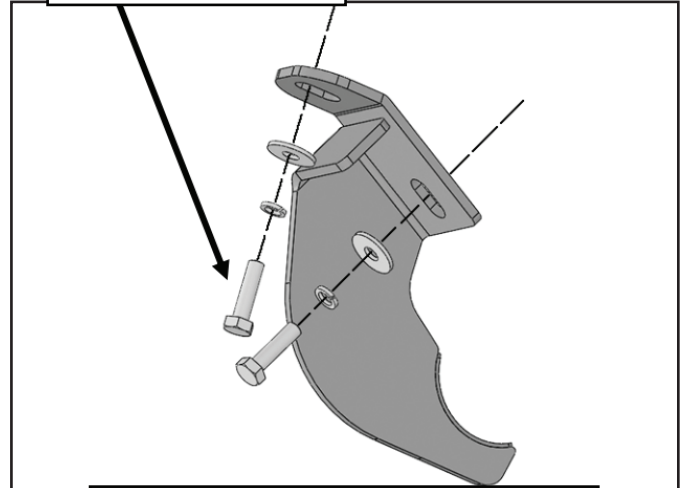
Starting on the Passenger/Right side, front of the vehicle, remove the plastic plugs or hex bolts covering the (2) threaded holes in the body panel (Fig 1).

NOTE: Installation will use the **1st, 2nd, 3rd** and **4th** mounting locations for the Tyger Lander Mounting Brackets. Select the Passenger/Right Front Mounting Bracket (Fig 2). Attach the Bracket to the vehicle using the included (2) 8mm Hex Bolts, (2) 8mm Lock Washers and (2) 8mm Flat Washers (Fig 2). **DO NOT** tighten hardware.

Passenger/Right Side Installation Pictured



(2) 8mm Hex Bolts
(2) 8mm Lock Washers
(2) 8mm Flat Washers

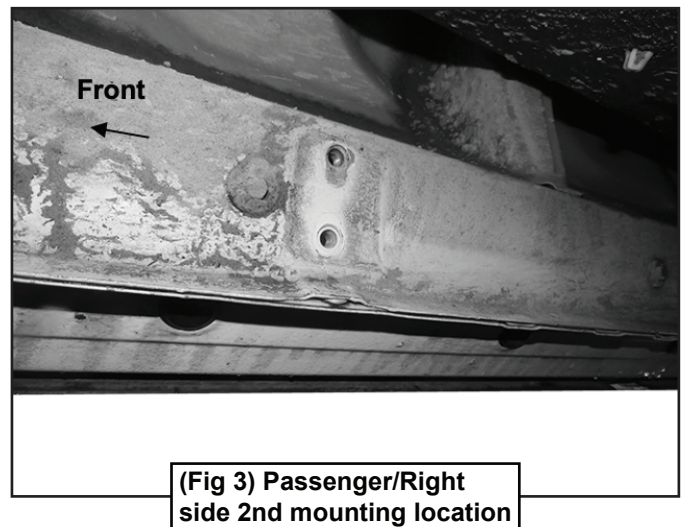


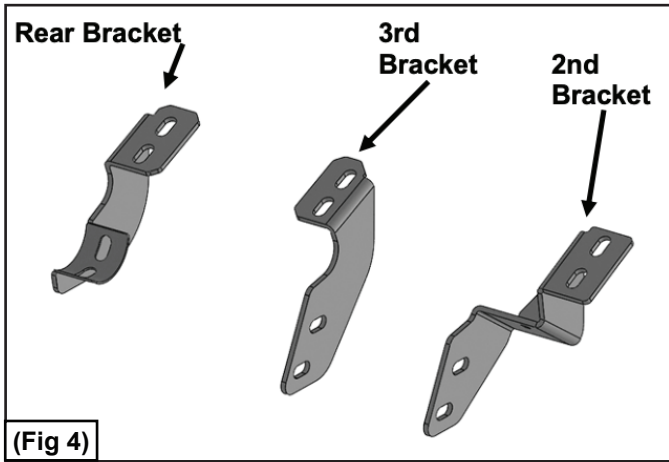
(Fig 2) Attach the Passenger/Right Front Mounting Bracket to the front location

STEP 3

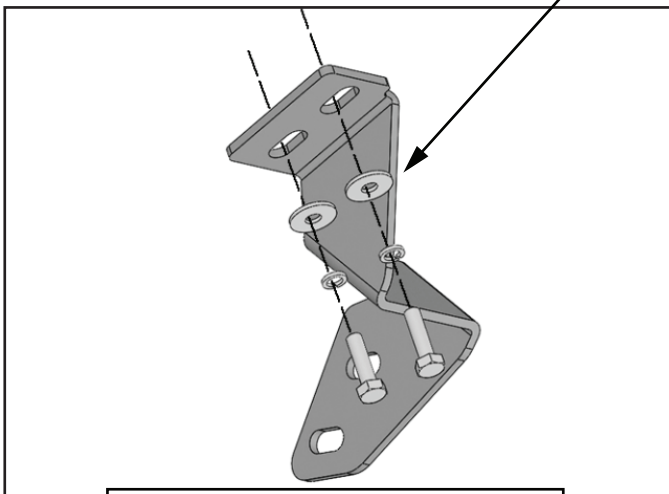
Next, move to the **2nd** mounting location (Fig 3). Select the Passenger/Right **2nd** Mounting Bracket (Fig 4). Repeat **STEP 2** to attach the **2nd** Mounting Bracket (Fig 5).

Passenger/Right Side Installation Pictured





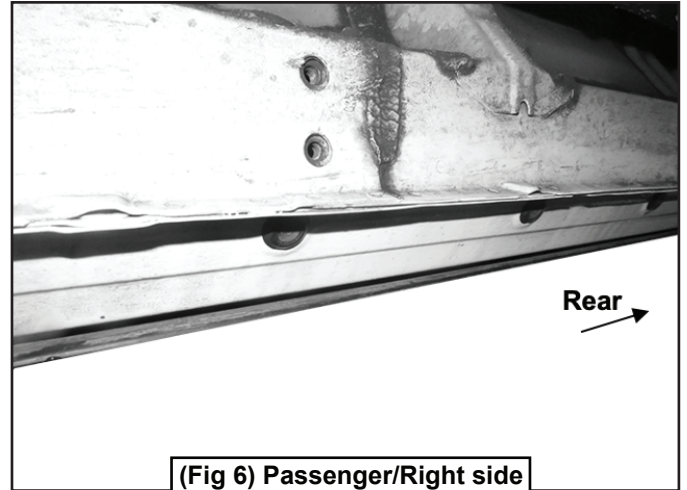
(2) 8mm Hex Bolts
(2) 8mm Lock Washers
(2) 8mm Flat Washers



STEP 4

Continue to the 3rd mounting locations at the back of the cab (Fig 6). Repeat **STEP 2** to attach Passenger/Right 3rd Mounting Bracket.

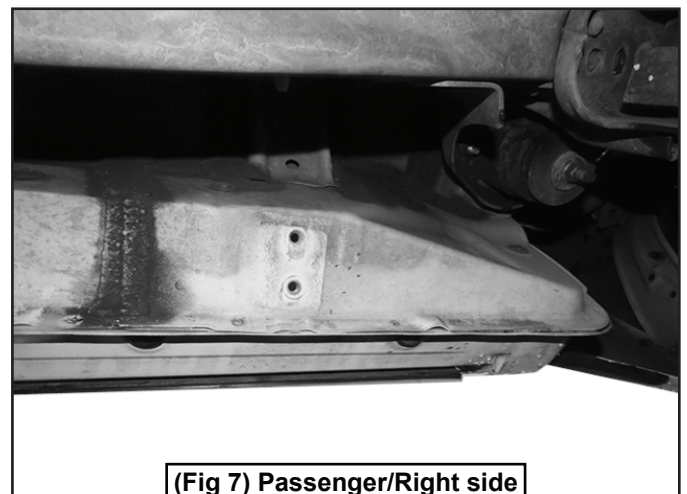
Passenger/Right Side Installation Pictured



STEP 5

Continue to the Rear mounting locations at the back of the cab (Fig 7). Repeat **STEP 2** to attach Passenger/Right Rear Mounting Bracket.

Passenger/Right Side Installation Pictured

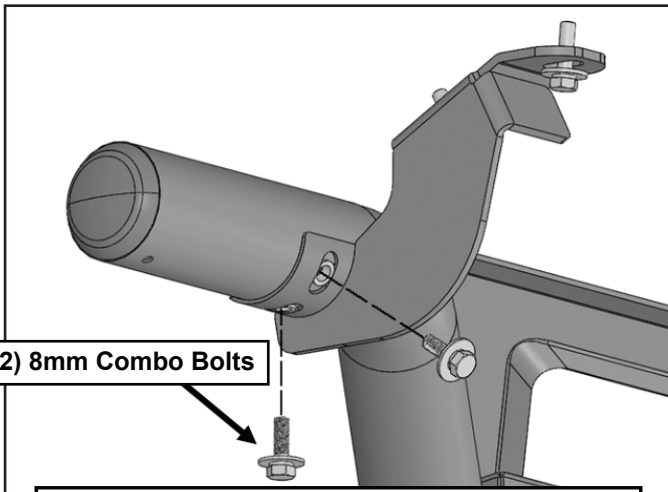




STEP 6

Once all (4) Mounting Brackets have been fully installed, carefully unwrap the Passenger/Right Tyger Lander. Place the Tyger Lander on top of the Front and Rear Mounting Brackets. Attach the Tyger Lander to the Mounting Brackets with (4) 8mm Combo Bolts (Fig 8). DO NOT tighten hardware.

Passenger/Right Side Installation Pictured



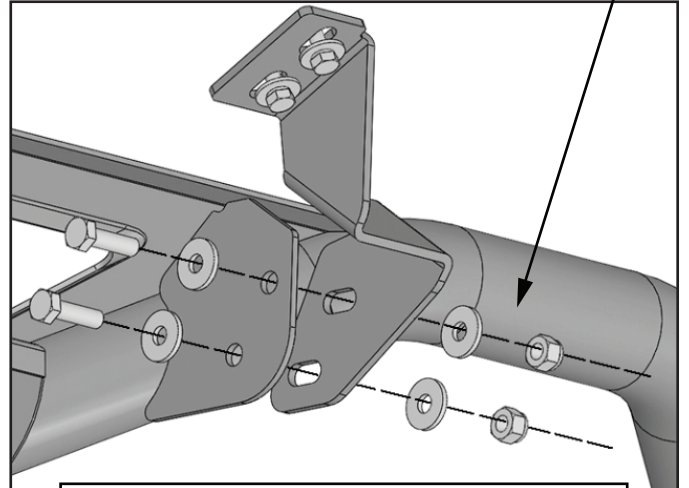
(Fig 8) Attach the Passenger/Right Tyger Lander to the Front and Rear Mounting Brackets

STEP 7

Attach the Tyger Lander to the front faces of the **2nd** and **3rd** Mounting Brackets with (4) 10mm Hex Bolts, (8) 10mm Flat Washers and (4) 10mm Nylon Lock Nuts (Fig 9). DO NOT tighten hardware.

Passenger/Right Side Installation Pictured

(2) 10mm Hex Bolts
(4) 10mm Flat Washers
(2) 10mm Nylon Lock Nuts



STEP 8

Level and adjust the Tyger Lander as desired and tighten all hardware.

STEP 9

Repeat **STEPS 2-8** to attach the Driver/Left Tyger Lander.

STEP 10

Do periodic inspections to the installation to make sure that all hardware is secure and tight.