



TYGER LANDER®

TG-LD2T60048

BEFORE INSTALLATION

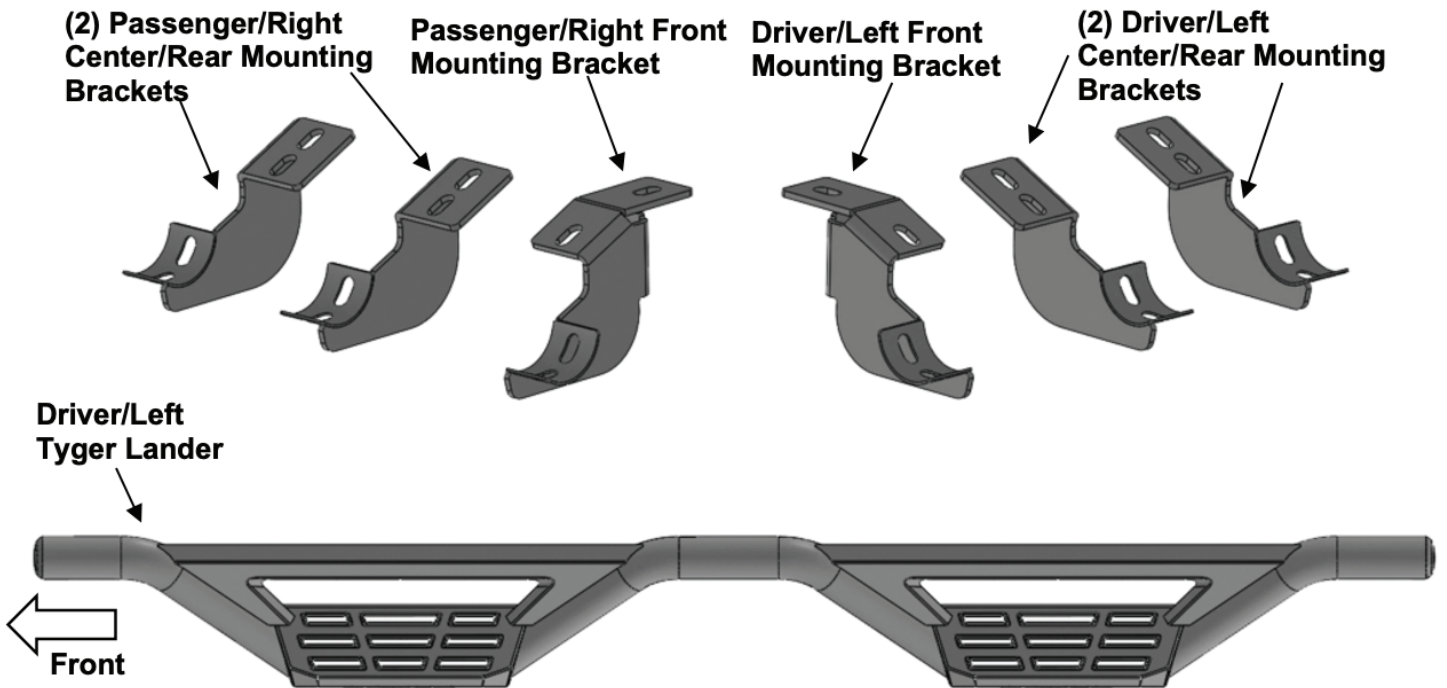
READ INSTRUCTIONS CAREFULLY BEFORE STARTING INSTALLATION. REMOVE CONTENTS FROM BOX AND VERIFY ALL PARTS ARE PRESENT. FAILURE TO IDENTIFY DAMAGE BEFORE INSTALLATION COULD LEAD TO A REJECTION OF ANY CLAIM. IF MISSING PARTS OR ANY DAMAGE FOUND, PLEASE TAKE A PICTURE FOR THE CLAIM PURPOSE.

TORQUE VALUES

| Fastener Size | Class 8.8 Torque (ft-lbs) | Class 10.9 Torque (ft-lbs) |
|---------------|---------------------------|----------------------------|
| 6mm | 6-7 | 6-7 |
| 8mm | 15-16 | 22-23 |
| 10mm | 31-32 | 44-45 |
| 12mm | 54-55 | 78-79 |
| 14mm | 87-88 | 125-126 |

Parts List

- x1 Driver/Left Tyger Lander
- x1 Passenger/Right Tyger Lander
- x1 Driver/Left Front Mounting Bracket
- x1 Passenger/Right Front Mounting Bracket
- x2 Driver/Left Center/Rear Mounting Brackets
- x2 Passenger/Right Center/Rear Mounting Brackets
- x12 8-1.25mm x 30mm Hex Bolts
- x12 8-1.25mm x 25mm Combo Bolts
- x12 8mm Lock Washers
- x12 8mm x 24mm OD x 2mm Flat Washers





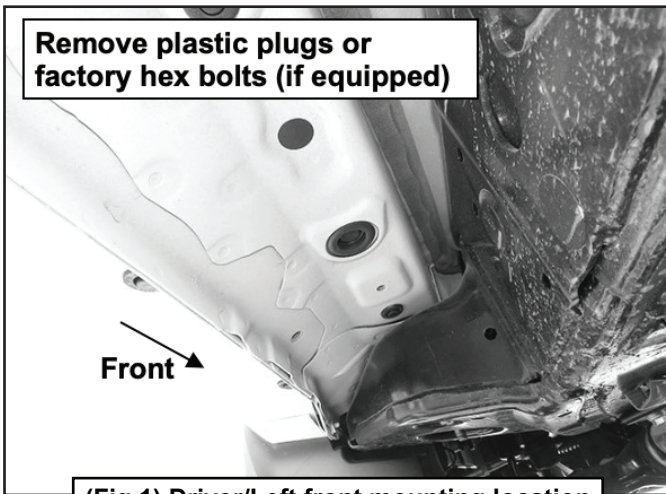
STEP 1

REMOVE CONTENTS FROM BOX. VERIFY ALL PARTS ARE PRESENT. READ INSTRUCTIONS CAREFULLY. ASSISTANCE IS HIGHLY RECOMMENDED.

STEP 2

Starting on the Driver/Left side of the vehicle, remove any plastic plugs or hex bolts from the factory mounting locations along the bottom of the panel (Fig 1).

Driver/Left Side Installation Pictured

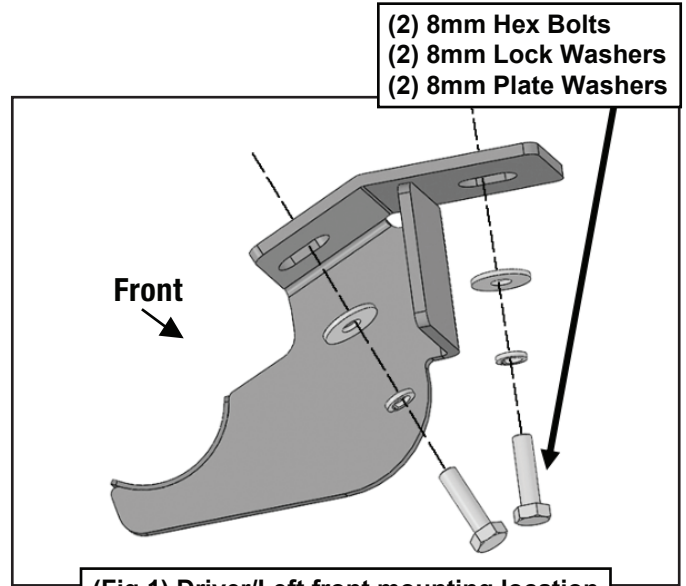


(Fig 1) Driver/Left front mounting location

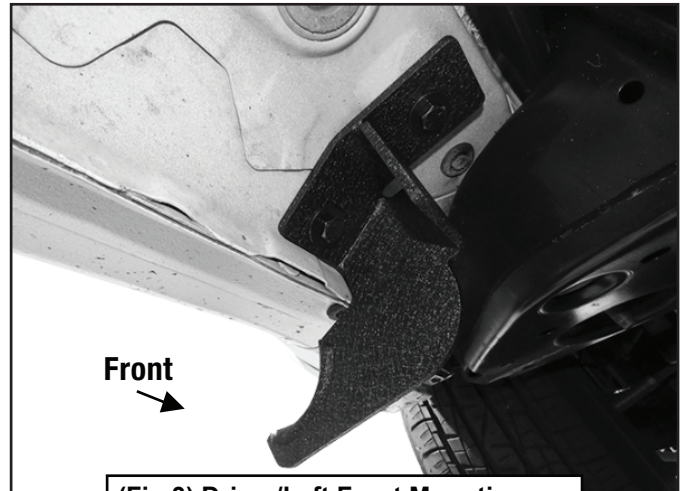
STEP 3

Select the Driver/Left Front Mounting Bracket. Attach the Mounting Bracket to the front location with (2) 8mm Hex Bolts, (2) 8mm Lock Washers and (2) 8mm Flat Washers (Figs 2 & 3). DO NOT tighten hardware.

Driver/Left Side Installation Pictured



(Fig 1) Driver/Left front mounting location



(Fig 3) Driver/Left Front Mounting Bracket attached to the front location

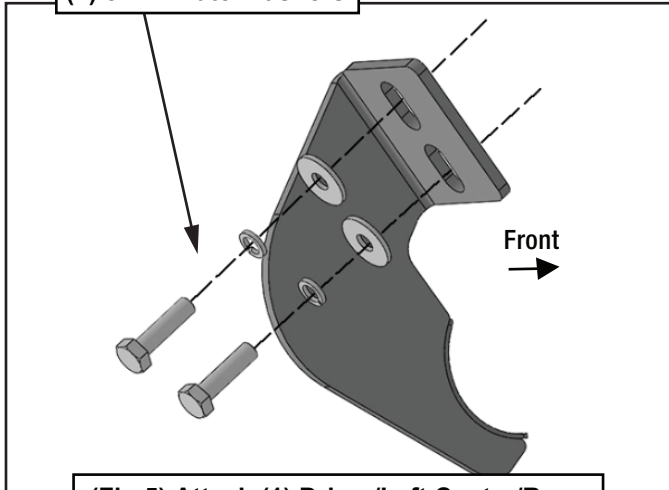
STEP 4

Move to the center location, (Figure 4). Select (1) Driver/Left Center/Rear Mounting Bracket. Attach the Mounting Bracket to the center location with (2) 8mm Hex Bolts, (2) 8mm Lock Washers and (2) 8mm Flat Washers (Figs 5 & 6). DO NOT tighten hardware.

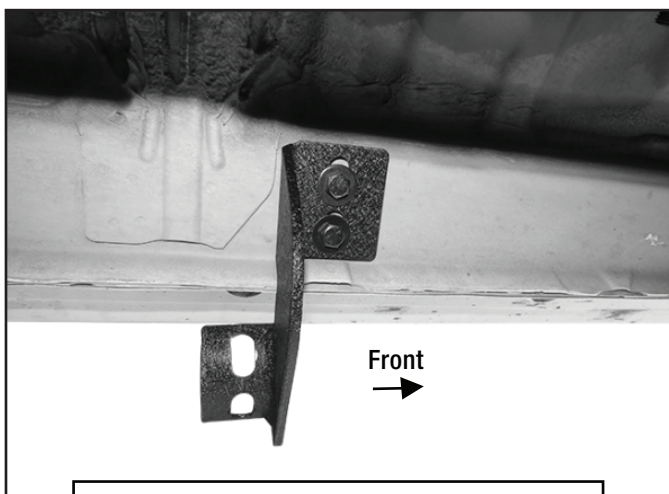


Driver/Left Side Installation Pictured

- (2) 8mm Hex Bolts
- (2) 8mm Lock Washers
- (2) 8mm Plate Washers



(Fig 5) Attach (1) Driver/Left Center/Rear Mounting Bracket to the center location

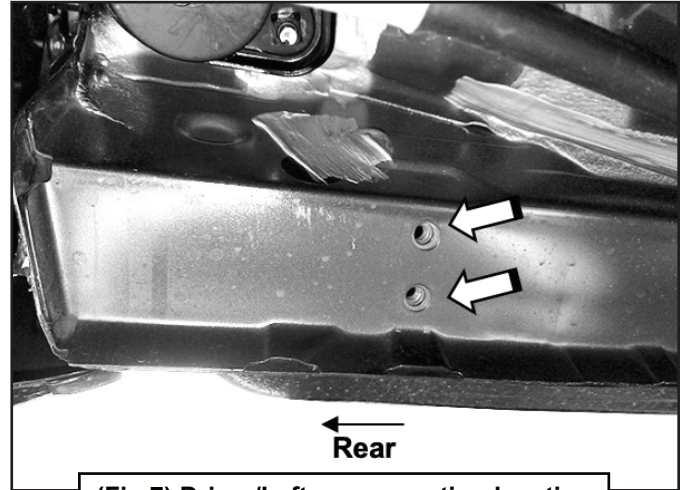


(Fig 6) Driver/Left Center/Rear Mounting Bracket attached to the center location

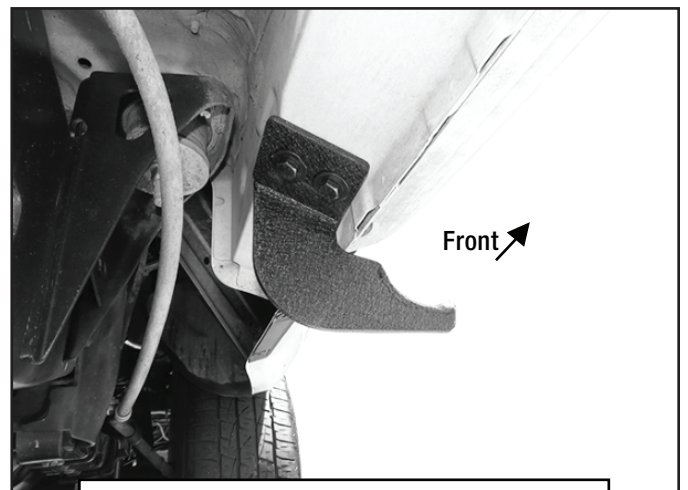
STEP 5

Move to the rear location (Fig 7). Repeat STEP 4 to attach (1) Driver/Left Center/Rear Mounting Bracket to the rear location (Figs 5 & 8)

Driver/Left Side Installation Pictured



(Fig 7) Driver/Left rear mounting location



(Fig 8) Driver/Left Center/Rear Mounting Bracket attached to the rear location

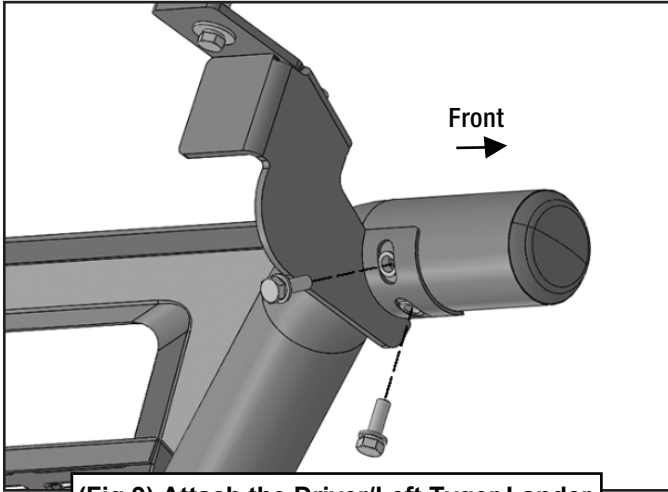
STEP 6

Select the Driver/left Tyger Lander. Carefully place Tyger Lander on the Mounting Brackets.

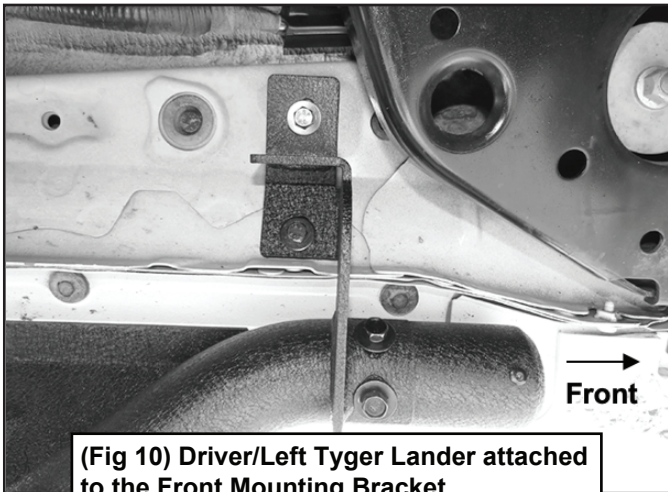
IMPORTANT: DO NOT slide or rotate Tyger Lander on cradles, or damage to the finish may result. Attach the Tyger Lander to the Mounting Brackets with (6) 8mm Combo Bolts (Figs 9-12). DO NOT tighten hardware.



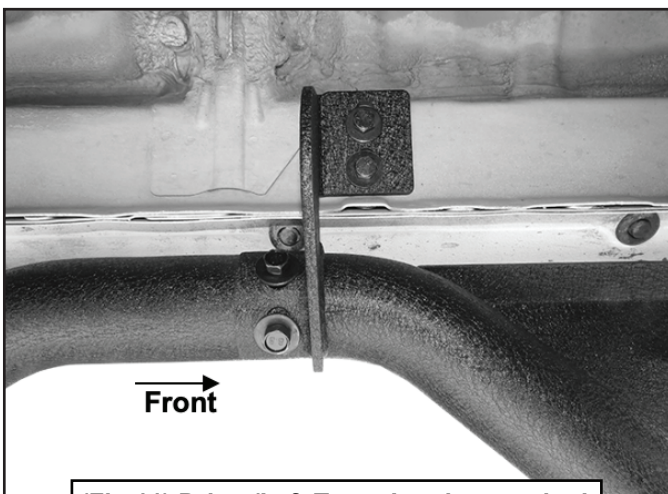
Driver/Left Side Installation Pictured



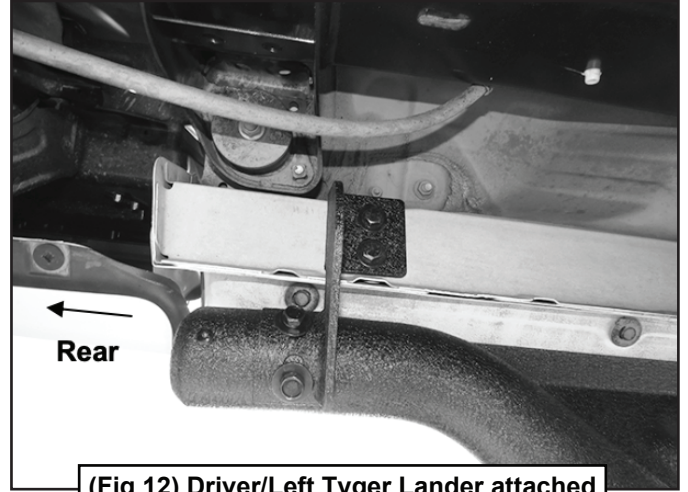
(Fig 9) Attach the Driver/Left Tyger Lander to the Mounting Brackets



(Fig 10) Driver/Left Tyger Lander attached to the Front Mounting Bracket



(Fig 11) Driver/Left Tyger Lander attached to the Center mounting Bracket



(Fig 12) Driver/Left Tyger Lander attached to the Rear Mounting Bracket

STEP 7

Level and adjust the Tyger Lander and fully tighten all hardware.

STEP 8

Repeat **STEPS 2-7** to attach the Passenger/Right Tyger Lander.

STEP 9

Do periodic inspections to the installation to make sure that all hardware is secure and tight.