



TYGER LANDER®

TG-LD2J63598

BEFORE INSTALLATION

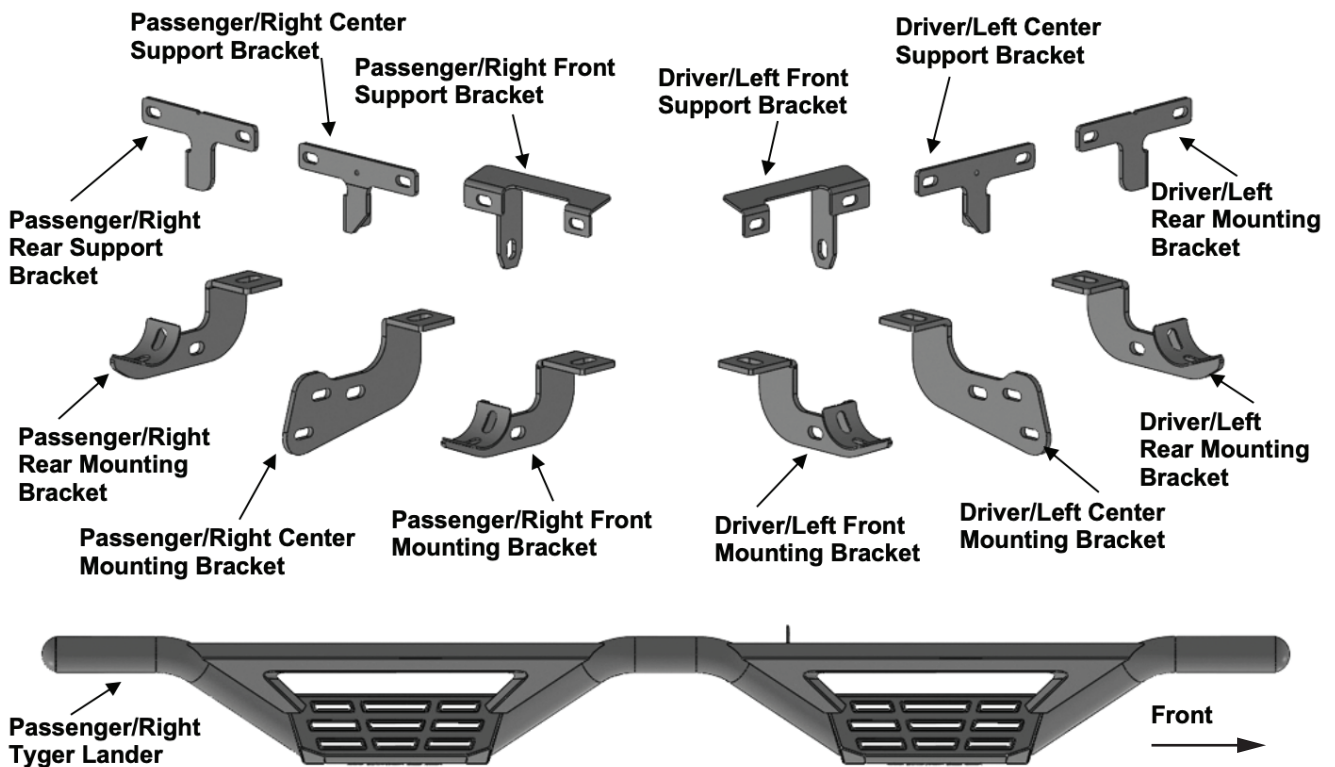
READ INSTRUCTIONS CAREFULLY BEFORE STARTING INSTALLATION. REMOVE CONTENTS FROM BOX AND VERIFY ALL PARTS ARE PRESENT. FAILURE TO IDENTIFY DAMAGE BEFORE INSTALLATION COULD LEAD TO A REJECTION OF ANY CLAIM. IF MISSING PARTS OR ANY DAMAGE FOUND, PLEASE TAKE A PICTURE FOR THE CLAIM PURPOSE.

TORQUE VALUES

Fastener Size	Class 8.8 Torque (ft-lbs)	Class 10.9 Torque (ft-lbs)
6mm	6-7	6-7
8mm	15-16	22-23
10mm	31-32	44-45
12mm	54-55	78-79
14mm	87-88	125-126

Parts List

- x1 Driver/Left Tyger Lander
- x1 Passenger/Right Tyger Lander
- x1 Driver/Left Front Mounting Bracket
- x1 Passenger/Right Front Mounting Bracket
- x1 Driver/Left Center Mounting Bracket
- x1 Passenger/Right Center Mounting Bracket
- x1 Driver/Left Rear Mounting Bracket
- x1 Passenger/Right Rear Mounting Bracket
- x1 Driver/Left Front Support Bracket
- x1 Passenger/Right Front Support Bracket
- x1 Driver/Left Center Support Bracket
- x1 Passenger/Right Center Support Bracket
- x1 Driver/Left Rear Support Bracket
- x1 Passenger/Right Rear Support Bracket
- x10 10-1.5mm x 35mm Hex Bolts
- x20 10mm x 27mm x OD x 3mm Flat Washers
- x10 10mm Nylon Lock Nuts
- x6 8-1.25mm x 35mm Hex Bolts
- x8 8-1.25mm Combo Bolts
- x6 8mm Lock Washers
- x6 8mm x 28mm OD x 3mm Flat Washers
- x12 6-1.0mm x 25mm Hex Bolts
- x24 6mm x 22mm OD x 2mm Flat Washers
- x12 6mm Nylon Lock Nuts





PROCEDURE:

REMOVE CONTENTS FROM BOX. VERIFY ALL PARTS ARE PRESENT. READ INSTRUCTIONS CAREFULLY BEFORE STARTING INSTALLATION. FACTORY INSTALLED OR AFTERMARKET SIDE STEPS OR RUNNING BOARDS MUST BE REMOVED.

STEP 1

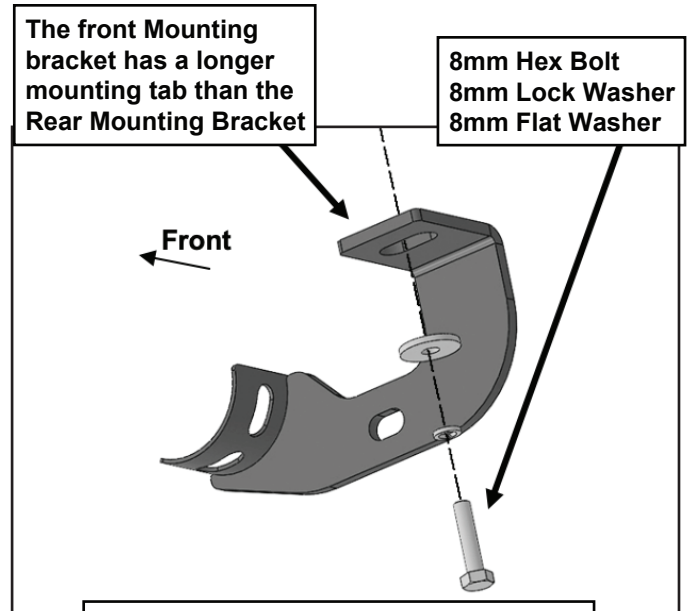
Start installation toward the front of the Passenger/Right side of the vehicle. Locate the factory threaded mounting hole in the bottom of the floor (Fig 1).

Passenger/Right Side Installation Pictured



(Fig 1) Passenger/Right front location

Passenger/Right Side Installation Pictured



(Fig 2) Attach the Passenger/Right Front Mounting Bracket to the front location

STEP 3

Attach Passenger/Right Front Mounting Bracket to the threaded hole in the bottom of the floor panel with (1) 8mm Hex Bolt, (1) 8mm Lock Washer and (1) 8mm Flat Washer (Fig 2). DO NOT tighten hardware at this time.

STEP 2

Select the Passenger/Right Front Mounting Bracket (Fig 2).

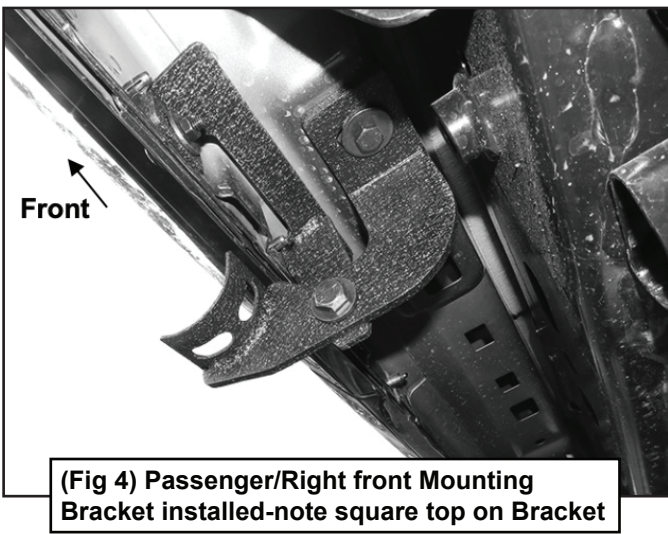
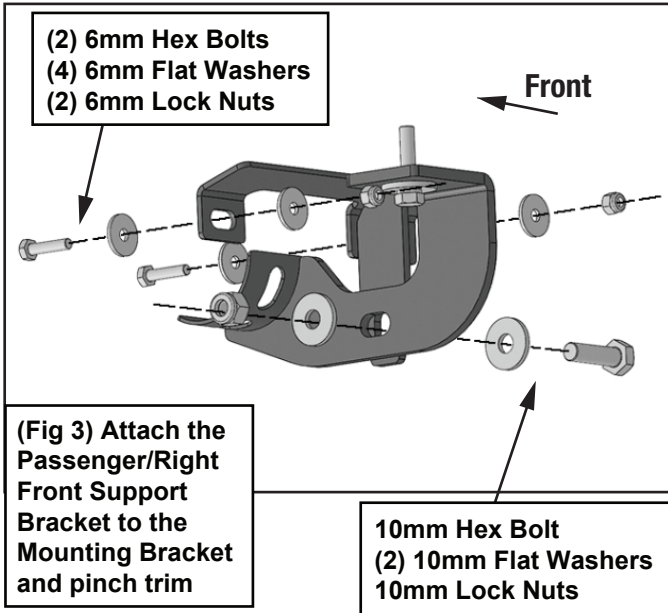
IMPORTANT: Front and Rear Mounting Brackets look very similar but are unique. The Front Mounting Bracket has a longer mounting tab than the Rear Mounting Bracket.

STEP 4

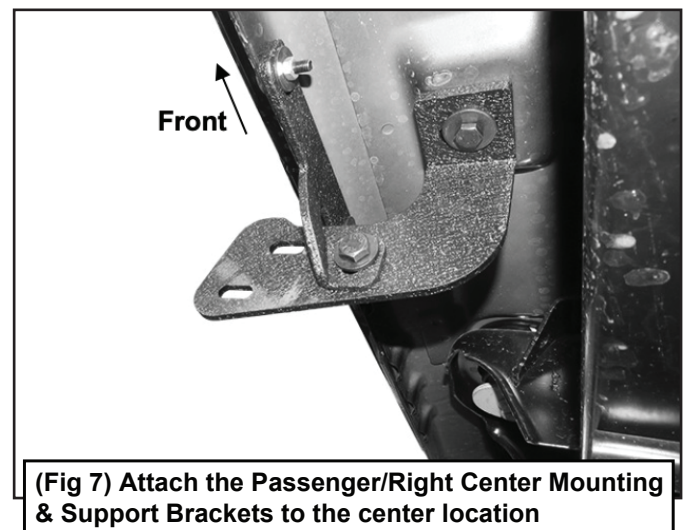
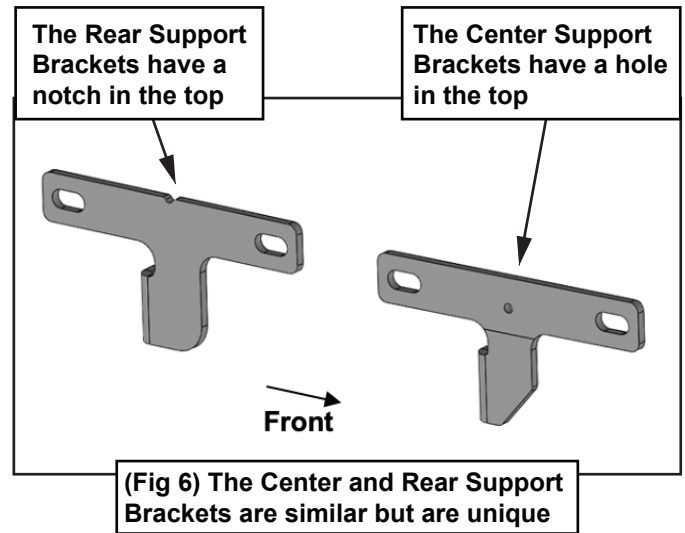
Select the Passenger/Right Front Support Bracket. Attach the Support Bracket to the pinch weld with (2) 6mm Hex Bolts, (4) 6mm Flat Washers and (2) 6mm Nylon Lock Nuts (Figs 3 & 4). Attach the Support Bracket to the Mounting Bracket with (1) 10mm Hex Bolt, (2) 10mm Flat Washers and (1) 10mm Nylon Lock Nut (Figs 3 & 4). DO NOT tighten hardware at this time.



Passenger/Right Side Installation Pictured



Passenger/Right Side Installation Pictured



STEP 5

Move to the #2 center location, (Figure 5). Repeat **STEPS 3 & 4** to attach the Center Mounting Bracket and the Center Support Bracket (Figs 5-7).

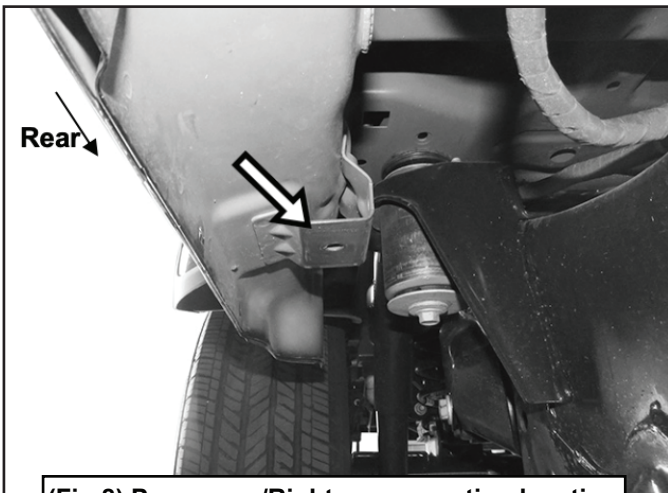
NOTE: The Center Support Bracket has a hole in the top and the Rear Support Bracket has a notch (Fig 6).



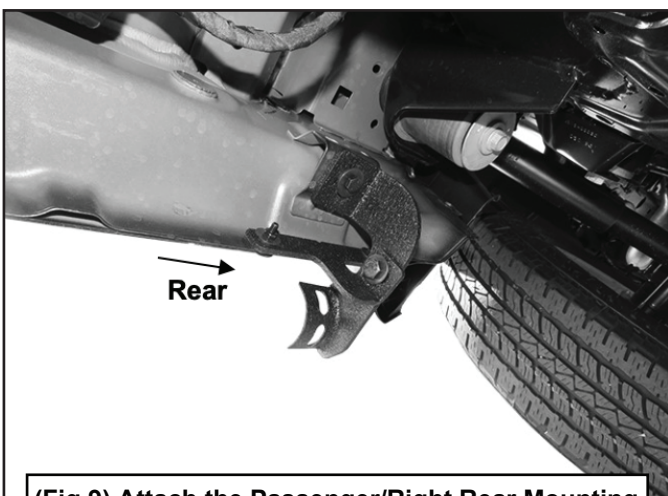
STEP 6

Move to the rear location (Fig 8). Repeat **STEPS 3 & 4** to attach the Rear Mounting Bracket and the Rear Support Bracket to the rear location (Fig 9).

Passenger/Right Side Installation Pictured



(Fig 8) Passenger/Right rear mounting location



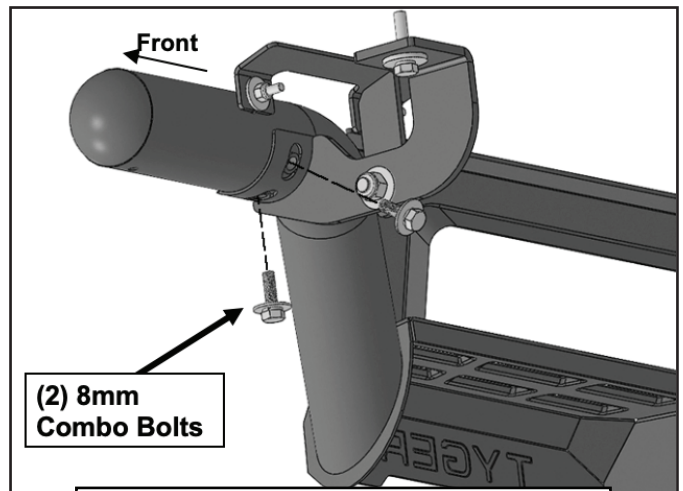
(Fig 9) Attach the Passenger/Right Rear Mounting & Support Brackets to the rear location

STEP 7

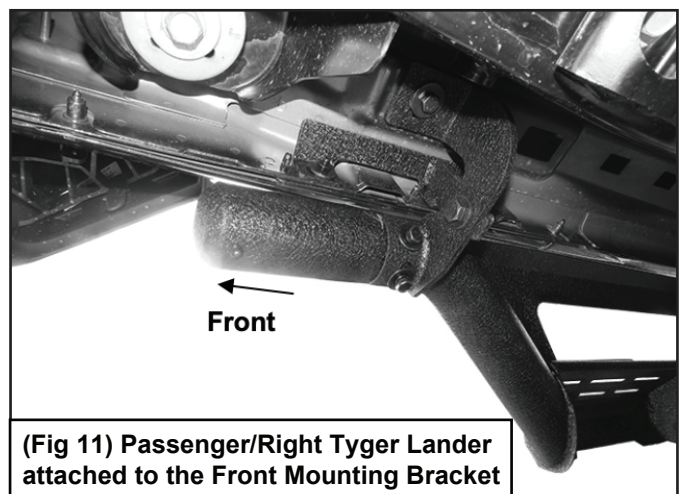
Select the Passenger/Right Tyger Lander. Carefully place Sidebar on the Rear Mounting Bracket.

IMPORTANT: DO NOT slide or rotate Sidebar on cradle, or damage to the finish may result. Attach the Tyger Lander to the Front and Rear Mounting Brackets with (4) 8mm Combo Bolts (Figs 10-12). DO NOT tighten hardware at this time.

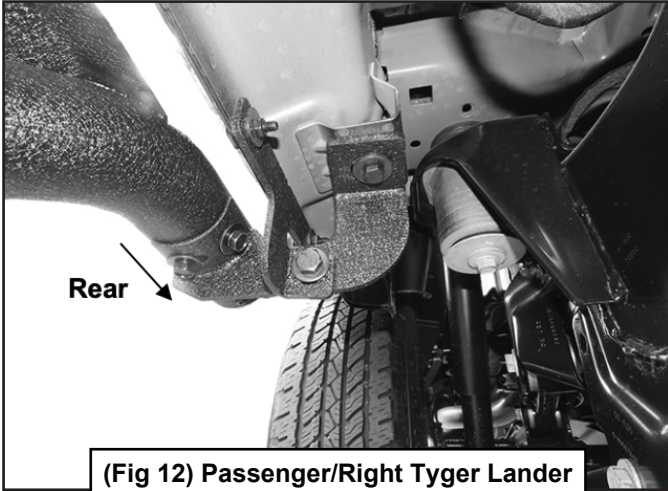
Passenger/Right Side Installation Pictured



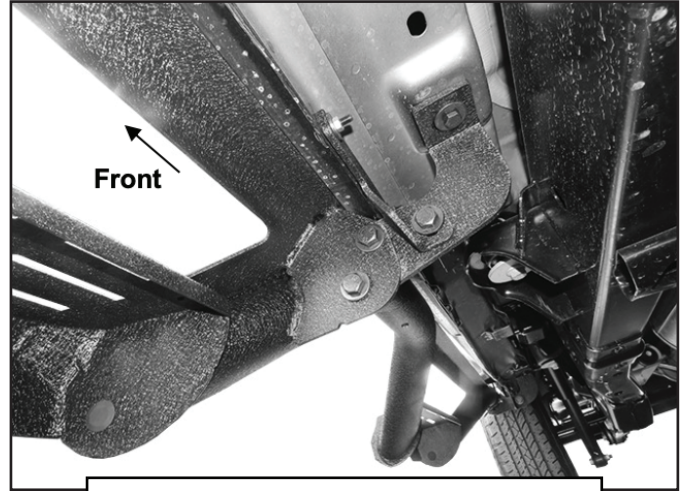
(Fig 10) Attach the Passenger/Right Tyger Lander to the Front and Rear Mounting Brackets (front Mounting Bracket shown)



(Fig 11) Passenger/Right Tyger Lander attached to the Front Mounting Bracket



(Fig 12) Passenger/Right Tyger Lander attached to the Rear Mounting Bracket



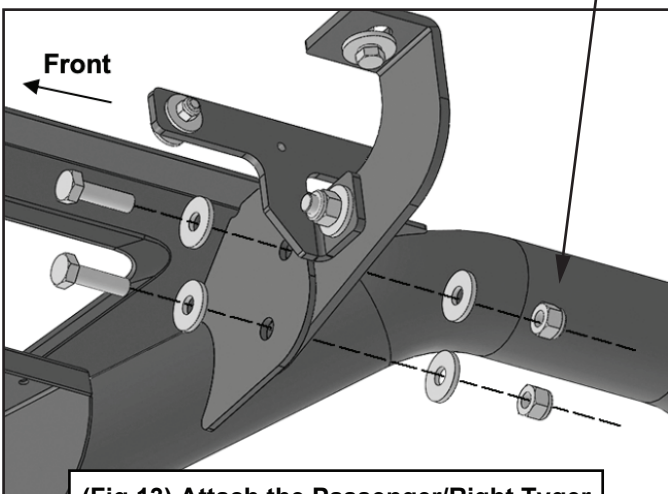
(Fig 14) Passenger/Right Tyger Lander attached to the Center Mounting Bracket

STEP 8

Next, attach the Tyger Lander to the front face of the Center Mounting Bracket with (2) 10mm Hex Bolts, (4) 10mm Flat Washers and (2) 10mm Nylon Lock Nuts (Figs 13 & 14). DO NOT tighten hardware at this time.

Passenger/Right Side Installation Pictured

(2) 10mm Hex Bolts
(4) 10mm Flat Washers
(2) 10mm Nylon Lock Nuts



(Fig 13) Attach the Passenger/Right Tyger Lander to the Center Mounting Bracket

STEP 9

Adjust and level the Tyger Lander and fully tighten all hardware.

STEP 10

Repeat **STEPS 2-9** to attach the Driver/Left Tyger Lander.

STEP 11

Do periodic inspections to the installation to make sure that all hardware is secure and tight.

ATTENTIONS: To protect your investment, DO NOT use any type of polish or wax that may contain abrasives that could damage the finish. Mild soap may be used to clean the Tyger Lander.