



TYGER LANDER™

TG-LD2D60608

BEFORE INSTALLATION

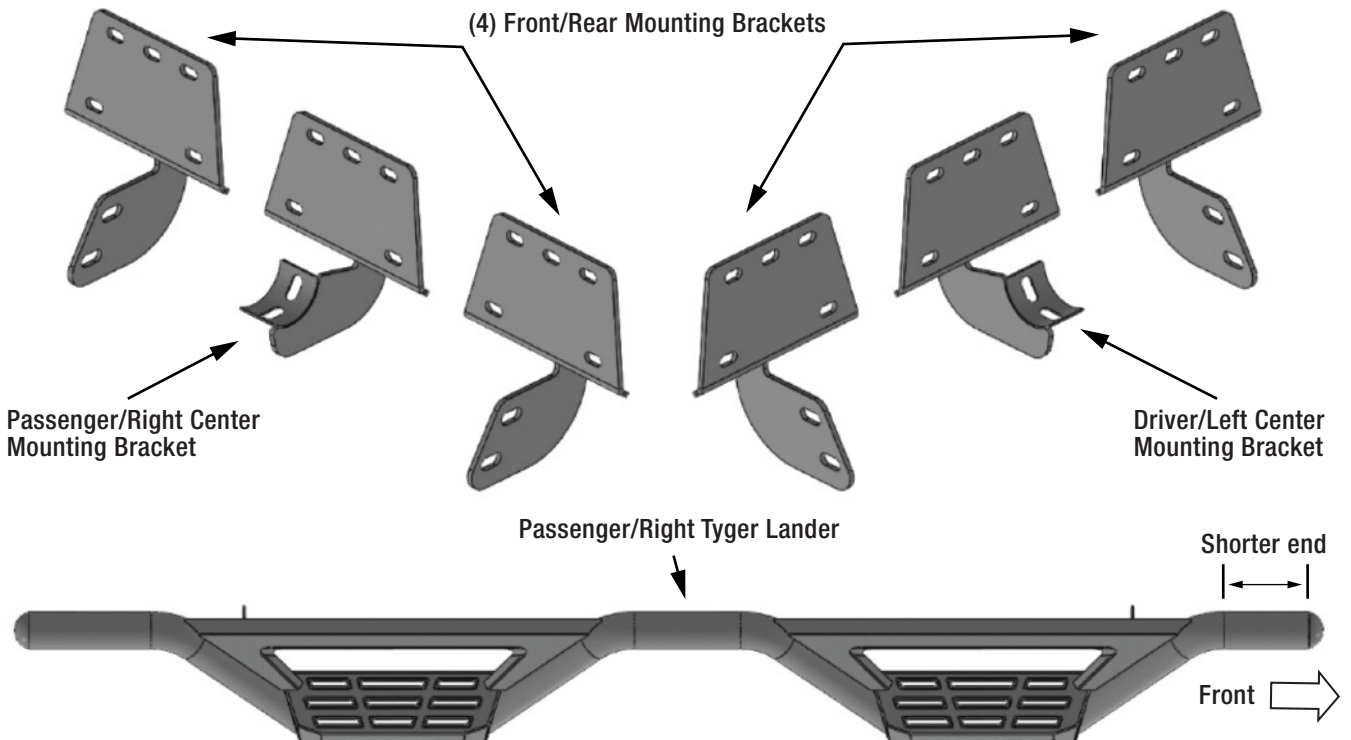
READ INSTRUCTIONS CAREFULLY BEFORE STARTING INSTALLATION. REMOVE CONTENTS FROM BOX AND VERIFY ALL PARTS ARE PRESENT. FAILURE TO IDENTIFY DAMAGE BEFORE INSTALLATION COULD LEAD TO A REJECTION OF ANY CLAIM. IF MISSING PARTS OR ANY DAMAGE FOUND, PLEASE TAKE A PICTURE FOR THE CLAIM PURPOSE.

TORQUE VALUES

Fastener Size	Class 8.8 Torque (ft-lbs)	Class 10.9 Torque (ft-lbs)
6mm	6-7	6-7
8mm	15-16	22-23
10mm	31-32	44-45
12mm	54-55	78-79
14mm	87-88	125-126

Parts List

- x1** Driver/Left Tyger Lander
- x1** Passenger/Right Tyger Lander
- x1** Driver/Left Center Mounting Bracket
- x1** Passenger/Right Center Mounting Bracket
- x4** Front/Rear Mounting Brackets
- x8** 10-1.5mm x 35mm Hex Bolts
- x16** 10mm x 27mm OD x 3mm Flat Washers
- x8** 10mm Lock Washers
- x8** 10mm Hex Nuts
- x4** 8-1.25mm x 25mm Combo Bolts
- x18** 8mm x 24mm OD x 2mm Flat Washers
- x18** 8mm Lock Nuts





PROCEDURE:

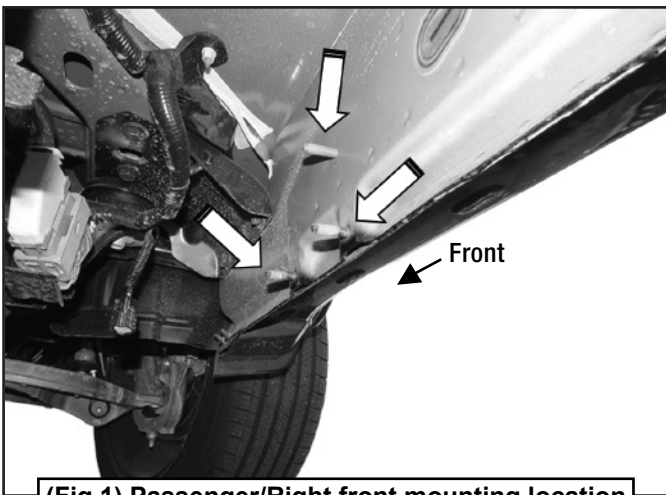
REMOVE CONTENTS FROM BOX. VERIFY ALL PARTS ARE PRESENT. READ INSTRUCTIONS CAREFULLY BEFORE STARTING INSTALLATION. ASSISTANCE IS RECOMMENDED.

STEP 1

Start the installation under the Passenger/Right side of the vehicle. Locate the front (3) factory studs along the inner side of the body panel, (Fig 1).

NOTE: Use a wire brush or die to remove paint buildup on the threaded studs.

Passenger/Right Side Installation Pictured



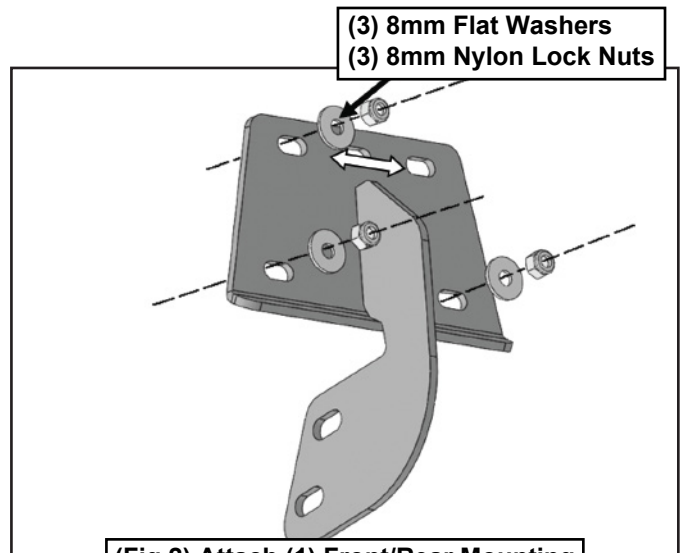
(Fig 1) Passenger/Right front mounting location

STEP 2

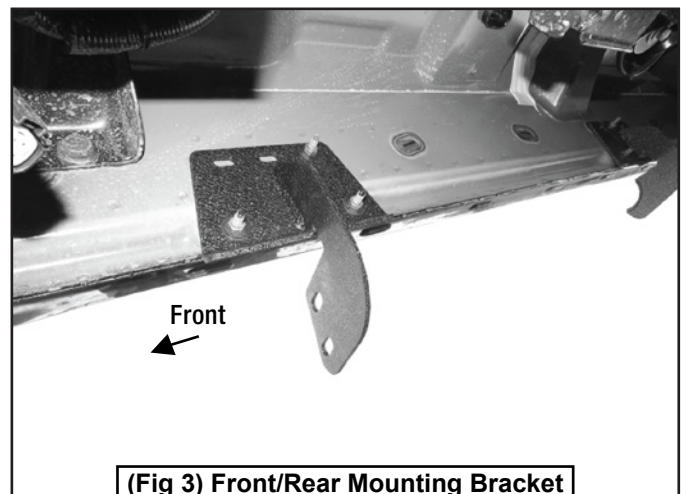
Select (1) Front/Rear Mounting Bracket. Attach the Mounting Bracket to the (3) factory studs with (3) 8mm Flat Washers and (3) 8mm Nylon Lock Nuts, (Figs 2 & 3). Leave brackets loose at this time.

NOTE: The (4) Front/Rear Mounting Brackets will fit on both the Passenger/Right and Driver/Left sides.

Passenger/Right Side Installation Pictured



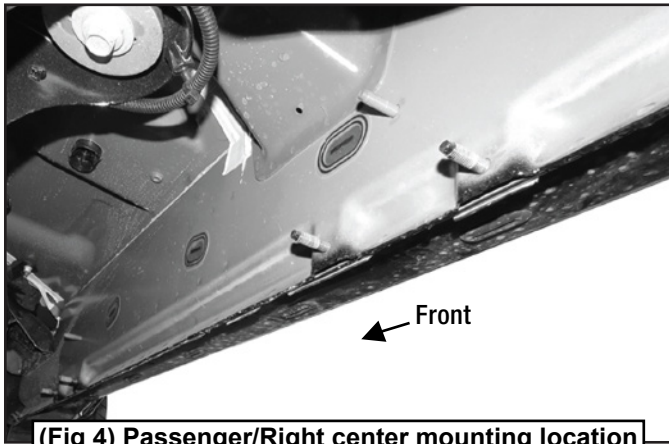
(Fig 2) Attach (1) Front/Rear Mounting Bracket to the (3) studs



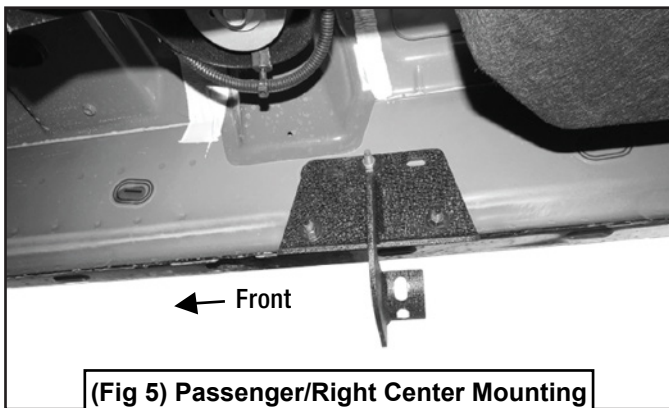
(Fig 3) Front/Rear Mounting Bracket attached to the front location

STEP 3

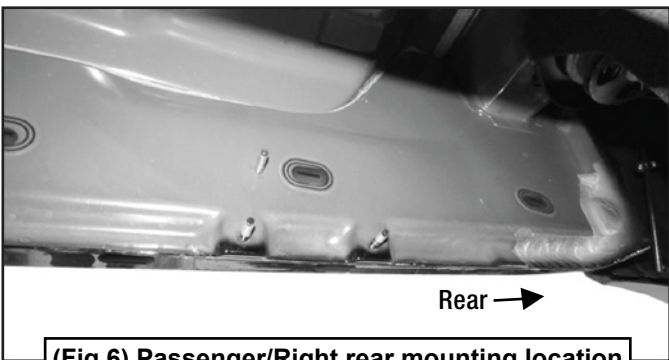
Repeat **STEPS 1—3** to install (1) Passenger/Right Center to center mounting location and (1) Front/Rear Mounting Brackets to rear mounting location along the body panel, (Figs 4—7)



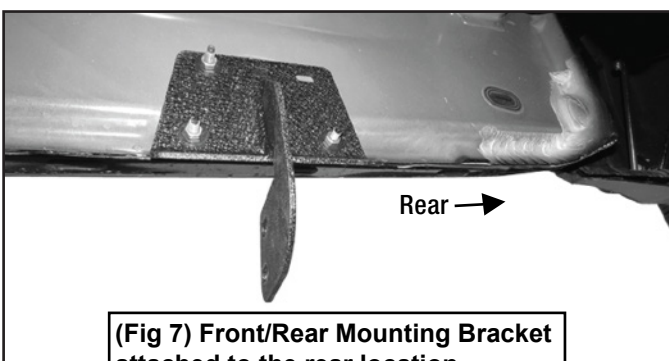
(Fig 4) Passenger/Right center mounting location



(Fig 5) Passenger/Right Center Mounting Bracket attached to the center location



(Fig 6) Passenger/Right rear mounting location



(Fig 7) Front/Rear Mounting Bracket attached to the rear location

STEP 4

Carefully unwrap and select the Passenger/Right Tyger Lander. Use the illustration on Page 1 to help identify the correct Sidebar. Place the Lander on top of the Center Bracket.

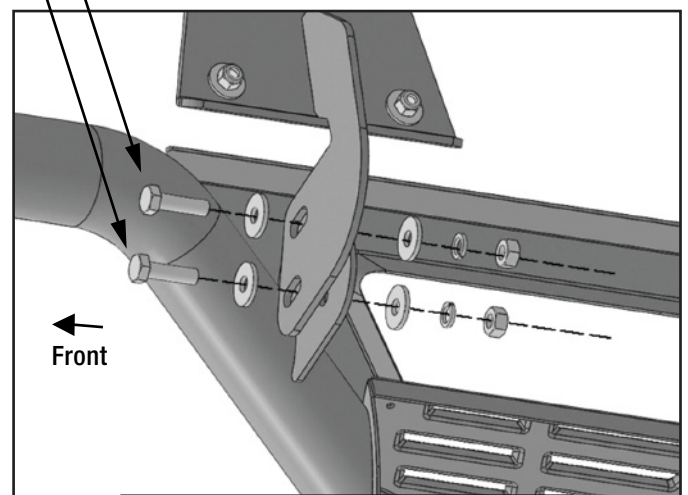
IMPORTANT: DO NOT slide, (front to back), the Lander on the Brackets or damage to the finish may result.

STEP 5

Attach the front and rear mounting tabs on the Tyger Lander onto the rear face of the front and rear Mounting Brackets. Attach the Lander to the brackets with (4) 10mm Hex Bolts, (8) 10mm Flat Washers, (4) 10mm Lock Washers and (4) 10mm Hex Nuts, (Figs 8, 9 & 12).

Passenger/Right Side Installation Pictured

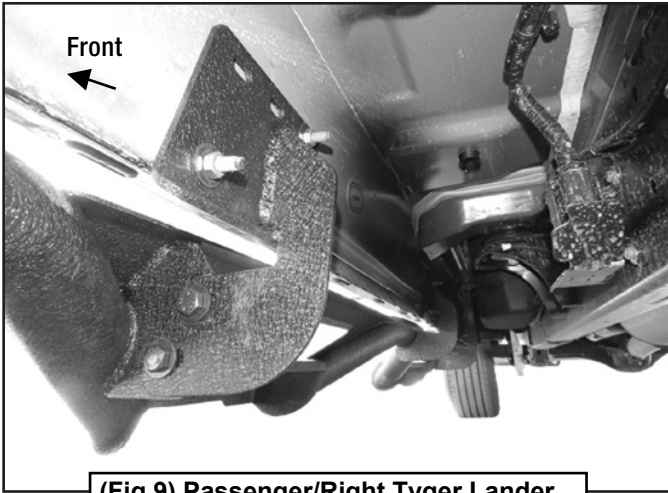
- (2) 10mm Hex Bolts
- (4) 10mm Flat Washers
- (2) 10mm Lock Washers
- (2) 10mm Hex Nuts



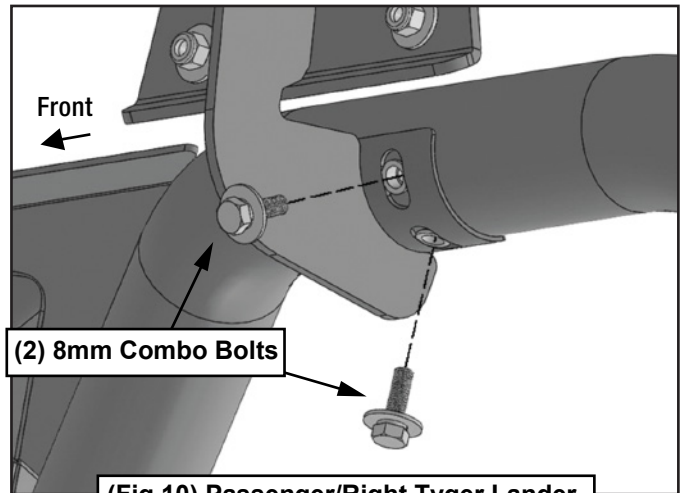
(Fig 8) Attach the mounting tab on the Tyger Lander to the rear face of the Front Mounting Bracket



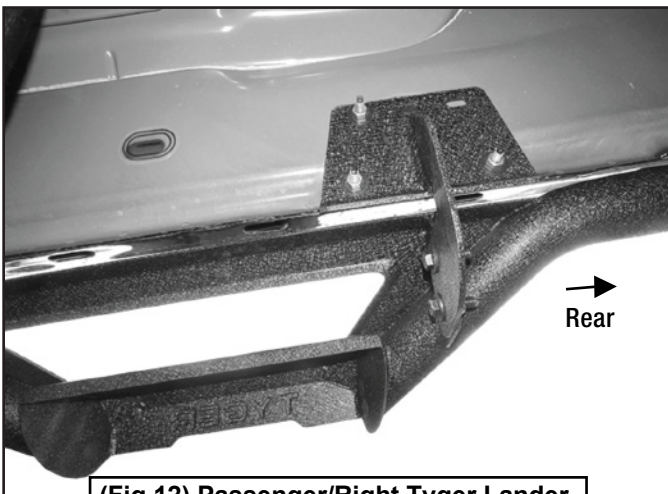
TYGER®



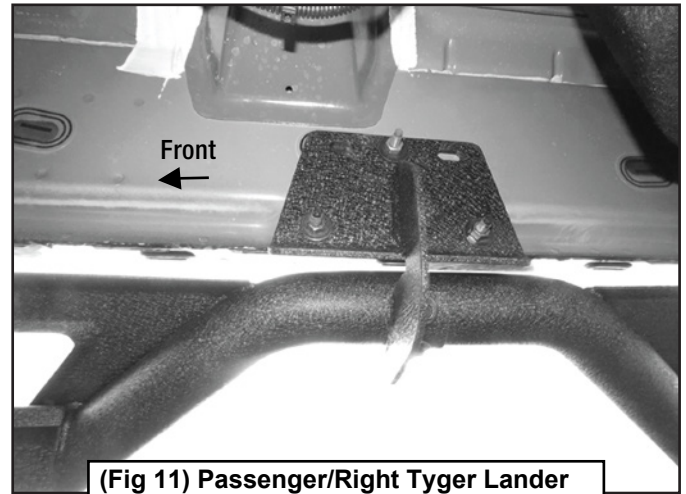
(Fig 9) Passenger/Right Tyger Lander attached to the Front Mounting Bracket



(Fig 10) Passenger/Right Tyger Lander attached to the Front Mounting Bracket



(Fig 12) Passenger/Right Tyger Lander attached to the Rear Mounting Bracket



(Fig 11) Passenger/Right Tyger Lander attached to the Center Mounting Bracket

STEP 6

Attach the Tyger Lander to the Center Bracket with (2) 8mm Combo Hex Bolts, (Figs 10 & 11). DO NOT tighten hardware at this time.

STEP 7

Level and adjust the Tyger Lander as necessary and fully tighten all hardware.



TYGER[®]

STEP 8

Repeat **STEPS 1—7** to attach the Driver/Left Tyger Lander.

STEP 9

Do periodic inspections to the installation to make sure that all hardware is secure and tight.