



## TYGER LANDER®

TG-LD2D60078

### BEFORE INSTALLATION

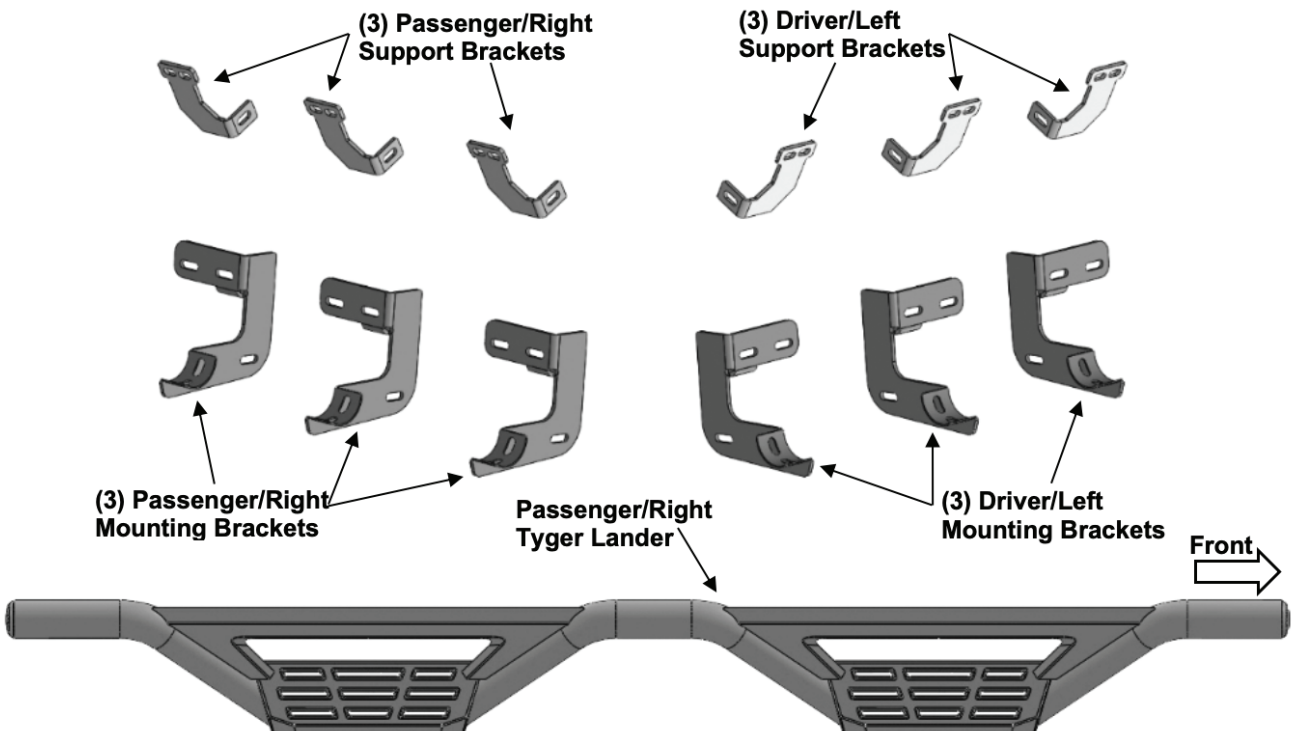
READ INSTRUCTIONS CAREFULLY BEFORE STARTING INSTALLATION. REMOVE CONTENTS FROM BOX AND VERIFY ALL PARTS ARE PRESENT. FAILURE TO IDENTIFY DAMAGE BEFORE INSTALLATION COULD LEAD TO A REJECTION OF ANY CLAIM. IF MISSING PARTS OR ANY DAMAGE FOUND, PLEASE TAKE A PICTURE FOR THE CLAIM PURPOSE.

### TORQUE VALUES

Fastener Size	Class 8.8 Torque (ft-lbs)	Class 10.9 Torque (ft-lbs)
6mm	6-7	6-7
8mm	15-16	22-23
10mm	31-32	44-45
12mm	54-55	78-79
14mm	87-88	125-126

### Parts List

- x1** Driver/Left Tyger Lander
- x1** Passenger/Right Tyger Lander
- x3** Driver/Left Mounting Brackets
- x3** Passenger/Right Mounting Brackets
- x3** Driver/Left Support Brackets
- x3** Passenger/Right Support Brackets
- x6** 8-1.25mm x 30mm Bolt/Nut Plates
- x18** 8-1.25mm x 30mm Hex Bolts
- x12** 8-1.25mm x 25mm Combo Bolts
- x24** 8mm x 24mm OD x 2mm Flat Washers
- x12** 8mm Lock Washers
- x6** 8mm Hex Nuts
- x6** 8mm Nylon Lock Nuts
- x6** 8mm Plastic Retainers
- x12** 6-1.0mm x 25mm Hex Bolts
- x24** 6mm x 22mm OD x 2mm Flat Washers
- x12** 6mm Nylon Lock Nuts





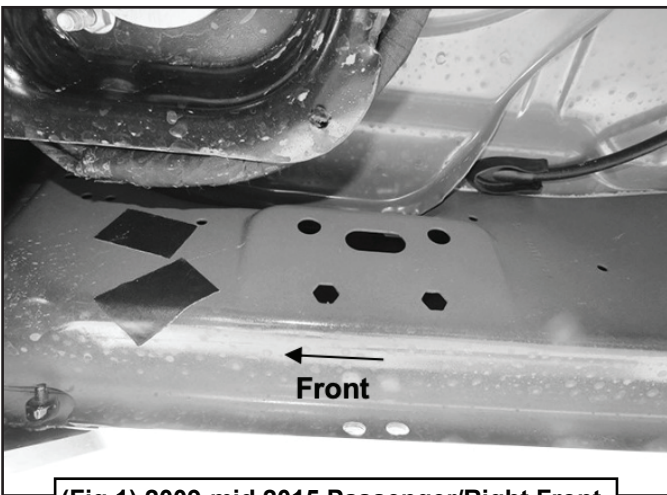
## STEP 1

REMOVE CONTENTS FROM BOX. VERIFY ALL PARTS ARE PRESENT. READ INSTRUCTIONS CAREFULLY BEFORE STARTING INSTALLATION. DRILLING MAY BE REQUIRED. ASSISTANCE IS RECOMMENDED.

## STEP 2

Starting at the Passenger/Right front of the vehicle, remove the sealing tape covering the factory holes in the side of the rocker panel (Fig 1).

Passenger/Right Side Installation Pictured



(Fig 1) 2009-mid 2015 Passenger/Right Front mounting location (No factory holes in pinch weld 2009-2012 models)

## STEP 3

Determine the correct procedure to attach (1) Passenger/Right Bracket for your model/year:

### Models without factory threaded holes in rocker panel:

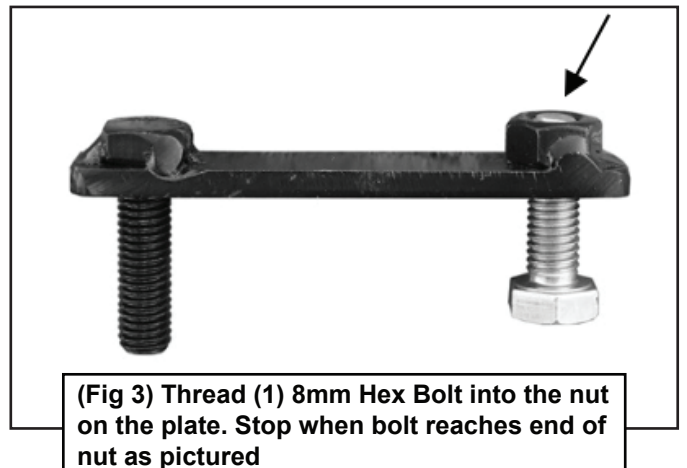
a. Partially thread an 8mm Hex Bolt into the threaded end of an 8mm Bolt/Nut Plate (Figs 2 & 3). Use the Hex Bolt as a handle and insert the Bolt/Nut Plate into the oval hole (Fig 4). Feed the threaded bolt on the Bolt/Nut Plate through one of the hex shaped factory holes. Thread (1) 8mm Plastic Retainer onto the threaded end to hold it in place (Fig 5).

**IMPORTANT:** DO NOT let go of the hex bolt until after Plastic Retainer has been threaded onto bolt. The Plastic Retainer is designed to keep the Bolt/Nut Plate from falling into the body panel and to aid in Bracket installation.

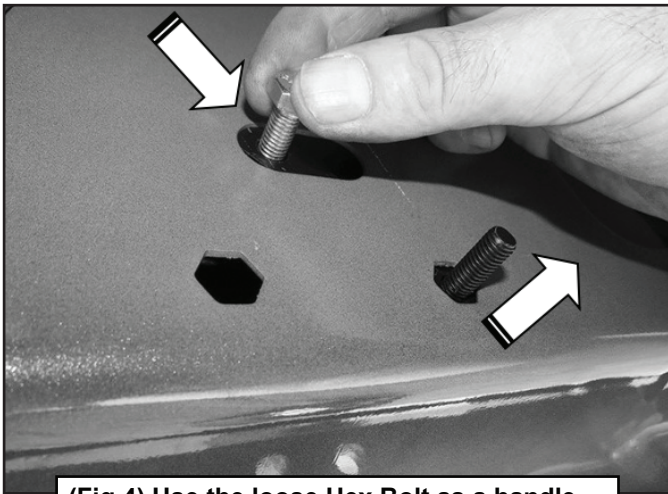
Passenger/Right Side Installation Pictured



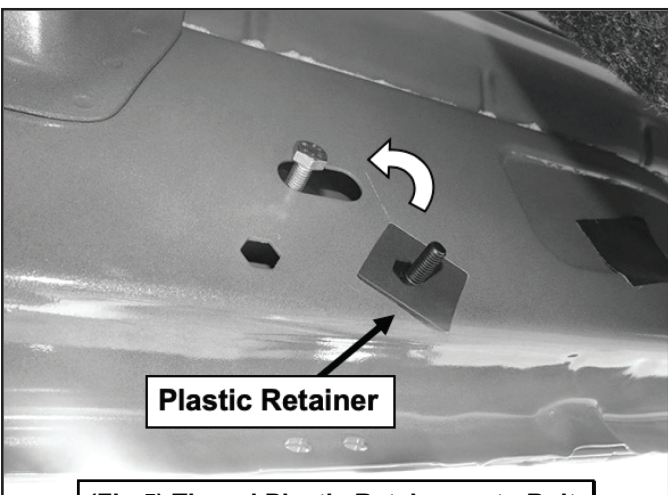
(Fig 2) 8mm Bolt-8mm Nut Plate, NOTE: 8mm Bolt-Nut Plate is not required on models with threaded holes



(Fig 3) Thread (1) 8mm Hex Bolt into the nut on the plate. Stop when bolt reaches end of nut as pictured



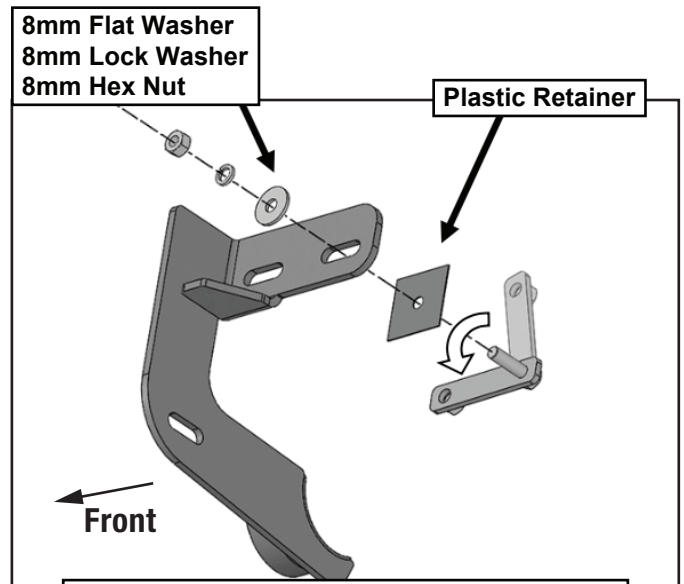
(Fig 4) Use the loose Hex Bolt as a handle. Insert the Bolt Plate into the oval hole and feed the threaded end out either factory hex shaped hole. **IMPORTANT: DO NOT** let go of the hex bolt until after Plastic Retainer has been threaded onto bolt Fig 6



(Fig 5) Thread Plastic Retainer onto Bolt Plate to hold Bolt Plate in position.

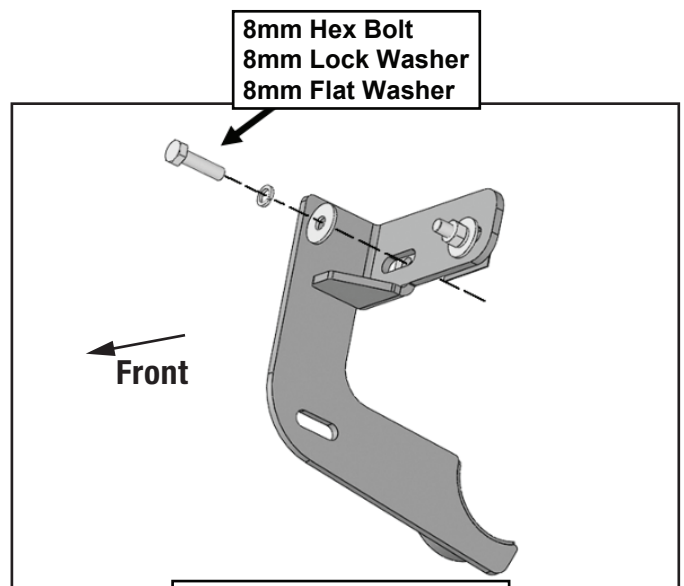
b. Select (1) Passenger/Right Mounting Bracket. Attach the Bracket to the threaded end of the Bolt Plate with (1) 8mm Flat Washers, (1) 8mm Lock Washers and (1) 8mm Hex Nuts (Fig 6). **DO NOT** tighten hardware.

### Passenger/Right Side Installation Pictured



(Fig 6) Attach Passenger/Right Front Bracket to Bolt Plate. Rotate Bolt Plate to line up with remaining factory hex shaped hole.

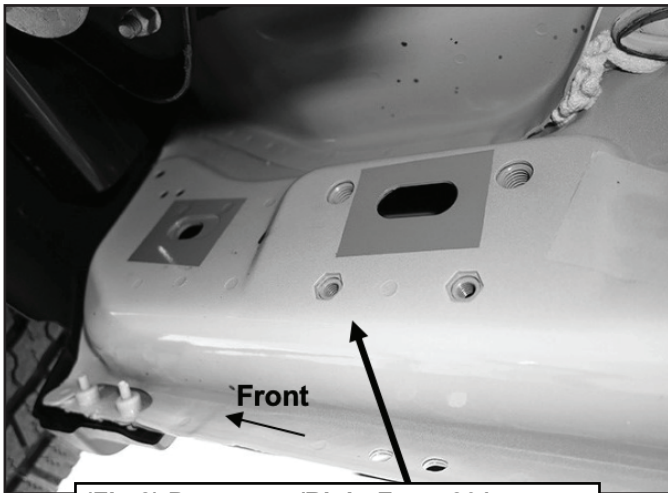
c. Remove the 8mm Hex Bolt from the nut on the Bolt/Nut Plate from **STEP 3A**. Rotate the Bolt on the Bolt/Nut Plate until the threaded nut lines up with the remaining hole in the Mounting Bracket and rocker panel. Attach the Bracket to the Bolt/Nut Plate with (1) 8mm Hex Bolt, (1) 8mm Lock Washer and (1) 8mm Flat Washer (Fig 7). **DO NOT** tighten hardware.



(Fig 7) Attach Bracket to threaded end of Bolt Plate

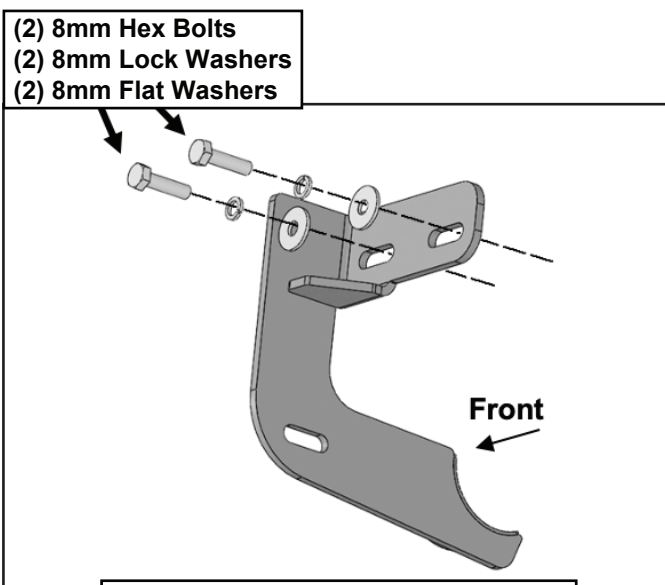


## Models with factory threaded holes (Fig 8):



(Fig 8) Passenger/Right Front 2015-on, an example of models with factory installed threaded holes

a. Select the Passenger/Right Mounting Bracket. Attach the Bracket to the holes with (2) 8mm Hex Bolts, (2) 8mm Lock Washers and (2) 8mm Flat Washers (Fig 9). DO NOT tighten hardware.



(Fig 9) For models 2015-on, attach (1) Passenger/Right Mounting Bracket to the rocker panel

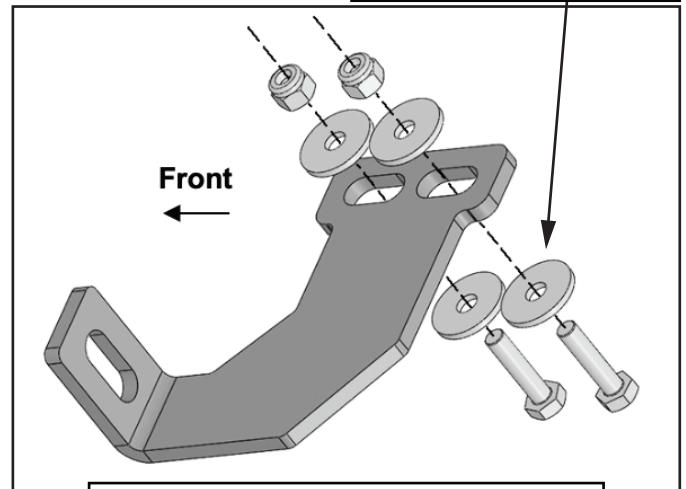
## STEP 4

Select (1) Passenger/Right Support Bracket. Line up the slots in the top of the Support Bracket with the (2) factory holes in the back of the pinch weld. Attach the Bracket to the back of the pinch weld with (2) 6mm Hex Bolts, (4) 6mm Flat Washers and (2) 6mm Nylon Lock Nuts (Fig 10).

**IMPORTANT:** 2009-12 models may not be equipped with factory holes and will require drilling through the pinch weld to attach the Support Bracket. DO NOT drill through pinch weld at this time (see **STEP 8** for drilling instruction). Continue through **STEPS 5 TO 8** then finally finish installing support brackets after drilling.

### Passenger/Right Side Installation Pictured

- (2) 6mm Hex Bolts
- (4) 6mm Flat Washers
- (2) 6mm Nylon Lock Nuts



(Fig 10) Attach Support Bracket to back of pinch weld (models with factory holes in pinch weld only)

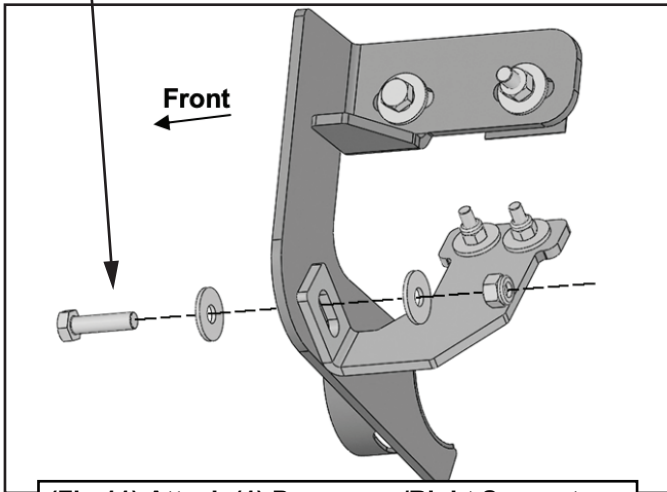
## STEP 5

Attach the Support Bracket to the Mounting Bracket with (1) 8mm Hex Bolt, (2) 8mm Flat Washers and (1) 8mm Nylon Lock Nut (Fig 11). DO NOT tighten hardware.

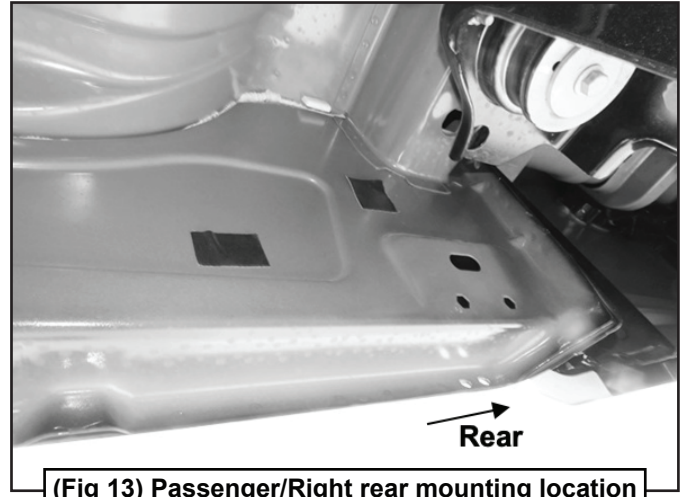


## Passenger/Right Side Installation Pictured

8mm Hex Bolt  
(2) 8mm Flat Washers  
8mm Nylon Lock Nut



(Fig 11) Attach (1) Passenger/Right Support Bracket to rear facing side of Mounting Bracket

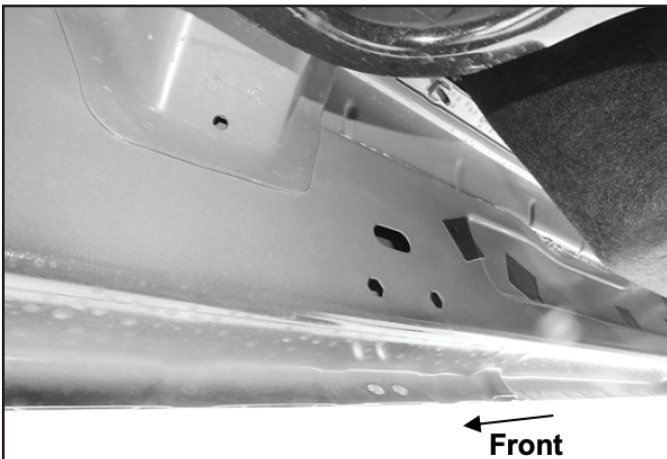


(Fig 13) Passenger/Right rear mounting location

## STEP 6

Repeat **STEPS 2—5** to attach the remaining (2) Passenger/Right Mounting and (2) Support Brackets to the center and rear locations (Figs 12 & 13).

## Passenger/Right Side Installation Pictured



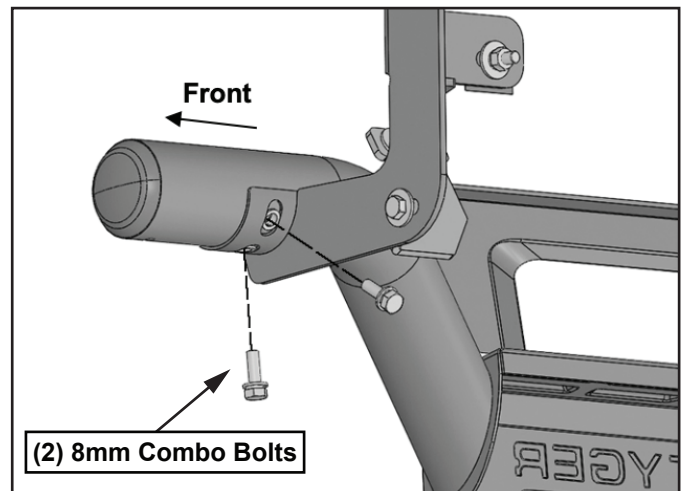
(Fig 12) Passenger/Right center mounting location

## STEP 7

Select the Passenger/Right Tyger Lander. Carefully place Tyger Lander on the Mounting Brackets.

**IMPORTANT:** DO NOT slide or rotate Tyger Lander on cradles, or damage to the finish may result. Attach the Tyger Lander to the Mounting Brackets with (6) 8mm Combo Bolts (Fig 14). DO NOT tighten hardware.

## Passenger/Right Side Installation Pictured



(2) 8mm Combo Bolts

(Fig 14) Attach the Passenger/Right Tyger Lander to the Mounting Brackets



## STEP 8

Properly level and adjust the Tyger Lander and fully tighten all hardware.

### **2009-12 models requiring drilling for Support Brackets:**

**a.** Line up the slots on the Support Brackets with the back of the pinch weld. Mark the locations of the slots onto the pinch weld.

**b.** Drill (2) 1/4" holes through the pinch weld for each Support Bracket.

**IMPORTANT:** DO NOT drill too close to the bottom edge of the pinch weld. Adjust the Brackets as necessary to move the slots up the pinch weld. Drill the holes toward the outside of the marked slots.

**c.** Repeat **STEP 4** to attach the Support Brackets to the pinch weld. Level and adjust then fully tighten all hardware.

## STEP 9

Repeat **STEPS 2-8** to attach the Driver/Left Tyger Lander to the vehicle.

## STEP 10

Do periodic inspections to the installation to make sure that all hardware is secure and tight.