



## TYGER LANDER®

TG-LD2C60248

### BEFORE INSTALLATION

READ INSTRUCTIONS CAREFULLY BEFORE STARTING INSTALLATION. REMOVE CONTENTS FROM BOX AND VERIFY ALL PARTS ARE PRESENT. FAILURE TO IDENTIFY DAMAGE BEFORE INSTALLATION COULD LEAD TO A REJECTION OF ANY CLAIM. IF MISSING PARTS OR ANY DAMAGE FOUND, PLEASE TAKE A PICTURE FOR THE CLAIM PURPOSE.

### TORQUE VALUES

Fastener Size	Class 8.8 Torque (ft-lbs)	Class 10.9 Torque (ft-lbs)
6mm	6-7	6-7
8mm	15-16	22-23
10mm	31-32	44-45
12mm	54-55	78-79
14mm	87-88	125-126

### Parts List

- x1 Driver/Left Tyger Lander
- x1 Passenger/Right Tyger Lander
- x2 Driver/Left Front Mounting Brackets
- x2 Passenger/Right Front Mounting Brackets
- x1 Driver/Left 3rd Mounting Bracket
- x1 Passenger/Right 3rd Mounting Bracket
- x1 Driver/Left Rear Mounting Bracket
- x1 Passenger/Right Rear Mounting Bracket
- x12 10-1.5mm x 35mm Hex Bolts
- x24 10mm x 27mm OD x 3mm Flat Washers
- x12 10mm Lock Washers
- x12 10mm Hex Nuts
- x16 8-1.25mm x 30mm Hex Bolts
- x4 8-1.25mm x 25mm Combo Bolts
- x16 8mm Lock Washers
- x16 8mm x 24mm OD x 2mm Flat Washers

Passenger/Right Rear Mounting Bracket

(2) Passenger/Right Front Mounting Brackets

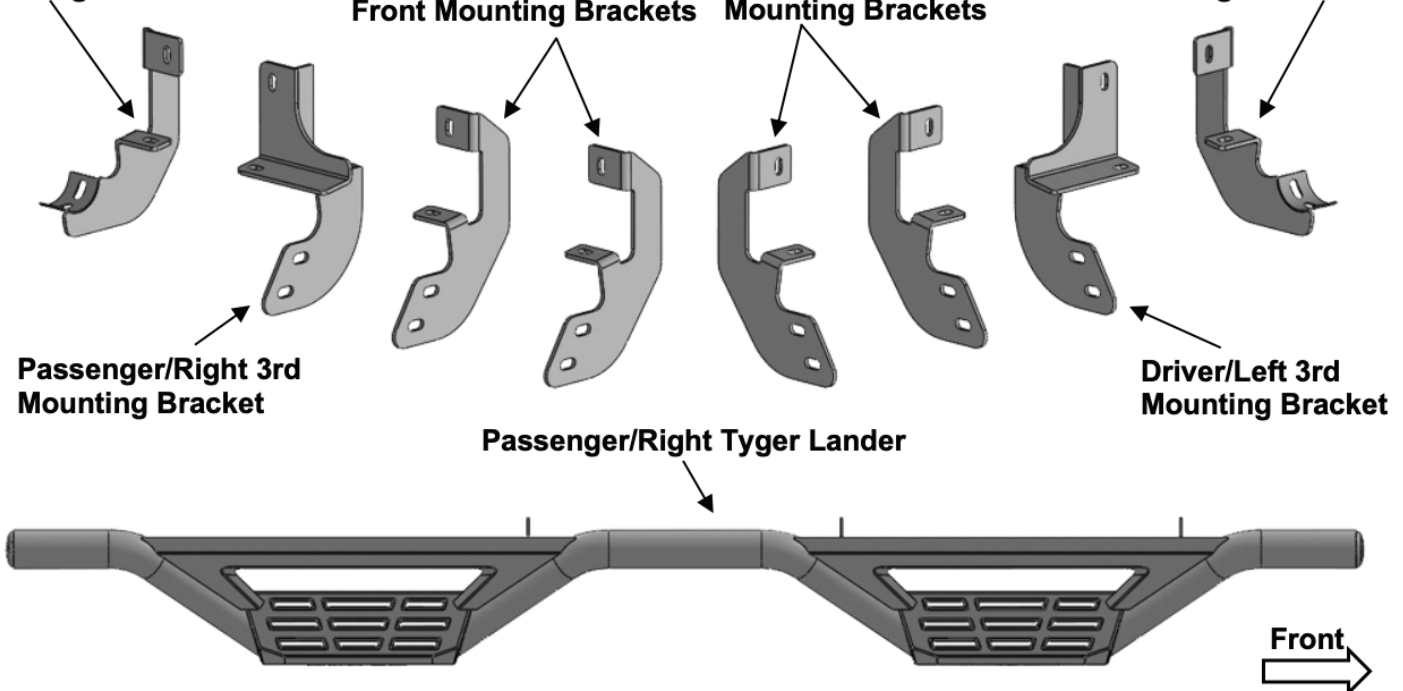
(2) Driver/Left Front Mounting Brackets

Driver/Left Rear Mounting Bracket

Passenger/Right 3rd Mounting Bracket

Passenger/Right Tyger Lander

Driver/Left 3rd Mounting Bracket





## PROCEDURE:

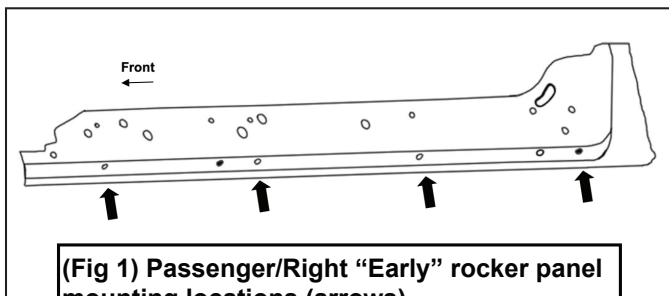
REMOVE CONTENTS FROM BOX. VERIFY ALL PARTS ARE PRESENT. READ INSTRUCTIONS CAREFULLY BEFORE STARTING INSTALLATION. ASSISTANCE IS RECOMMENDED.

## STEP 1

Start the installation under the Passenger/Right side of the vehicle.

a. For “Early” 2019 models, locate the 6 plugs along the bottom edge of the body. Mounting Brackets will bolt to the 1st, 3rd, 4th and 6th threaded mounting holes (Fig 1).

### Passenger/Right Side Installation Pictured



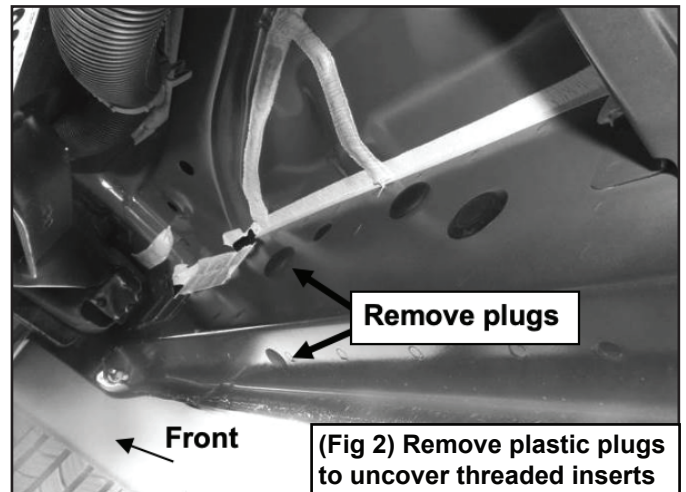
(Fig 1) Passenger/Right “Early” rocker panel mounting locations (arrows)  
NOTE: Hold Bracket up to body panel to help determine the correct mounting locations.

b. For “Late” 2019 models, all (4) mounting locations will be used.

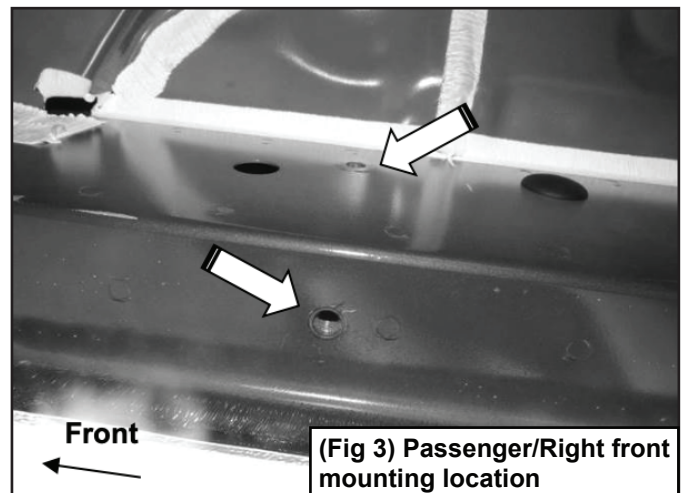
## STEP 2

Remove the plastic plugs from the Passenger/Right front mounting location. Select (1) Passenger/Right Front Mounting Bracket. Attach the Bracket to the front mounting location with (2) 8mm Hex Bolts, (2) 8mm Lock Washers and (2) 8mm Flat Washers (Figs 2—5). DO NOT tighten hardware at this time.

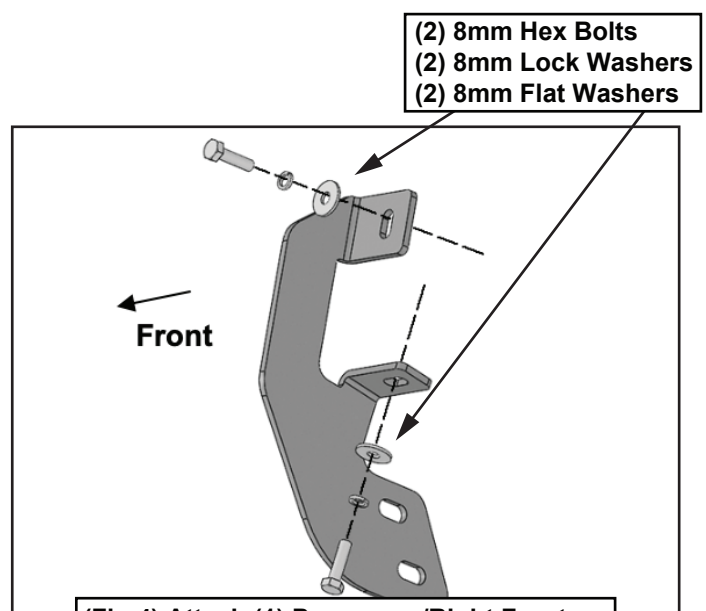
### Passenger/Right Side Installation Pictured



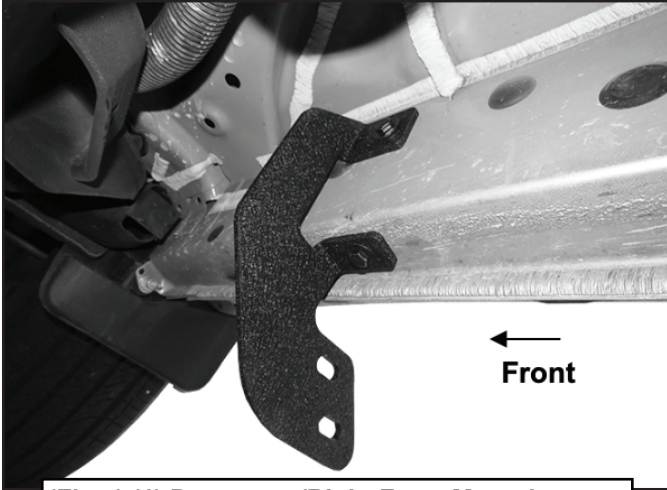
(Fig 2) Remove plastic plugs to uncover threaded inserts



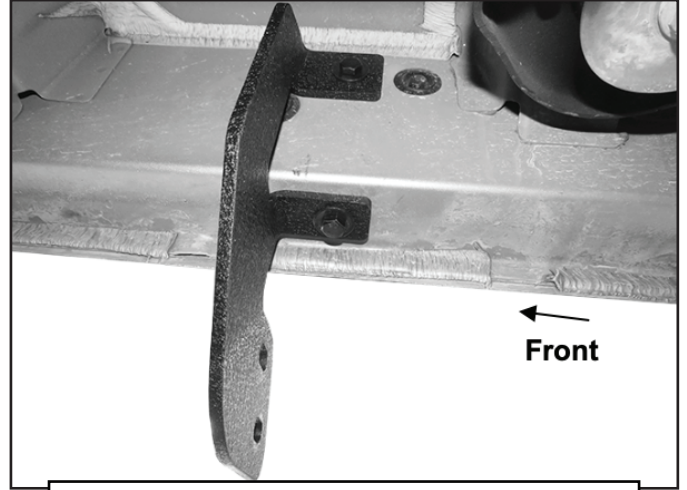
(Fig 3) Passenger/Right front mounting location



(Fig 4) Attach (1) Passenger/Right Front Mounting Bracket to the mounting location



(Fig 5) (1) Passenger/Right Front Mounting Bracket attached to the front mounting location

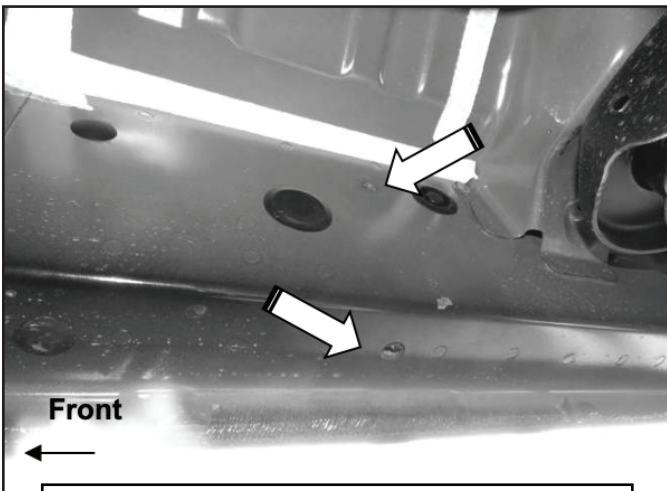


(Fig 7) (1) Passenger/Right Front Mounting Bracket attached to the 2nd mounting location

## STEP 3

Repeat **STEPS 1 & 2** to attach the remaining (1) Passenger/Right Front Mounting Bracket onto the **2nd** mounting location on the body panel (Figs 6 & 7). **DO NOT** tighten hardware at this time.

Passenger/Right Side Installation Pictured

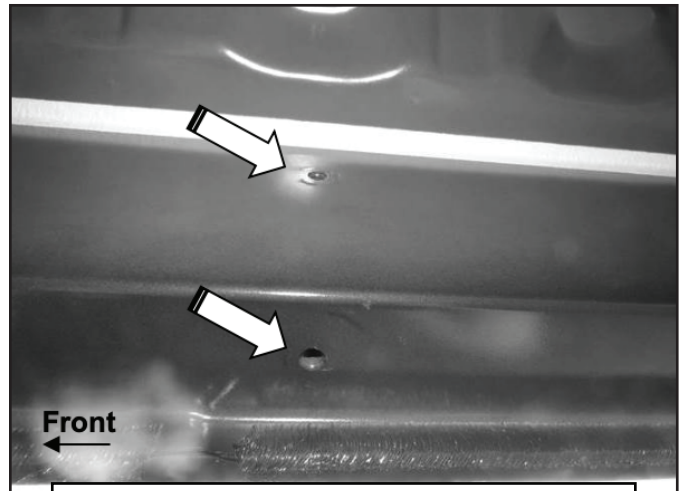


(Fig 6) Passenger/Right 2nd mounting location

## STEP 4

Select the Passenger/Right 3rd Mounting Bracket. Repeat **STEPS 1 & 2** to attach the Bracket onto the **3rd** mounting location on the body panel (Figs 8 - 10). **DO NOT** tighten hardware at this time.

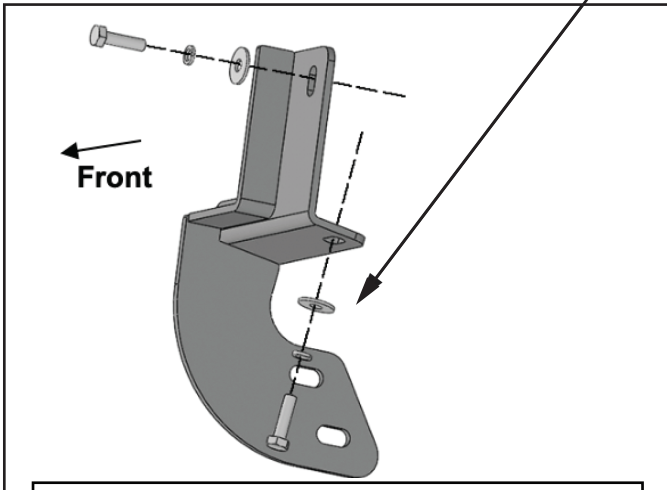
Passenger/Right Side Installation Pictured



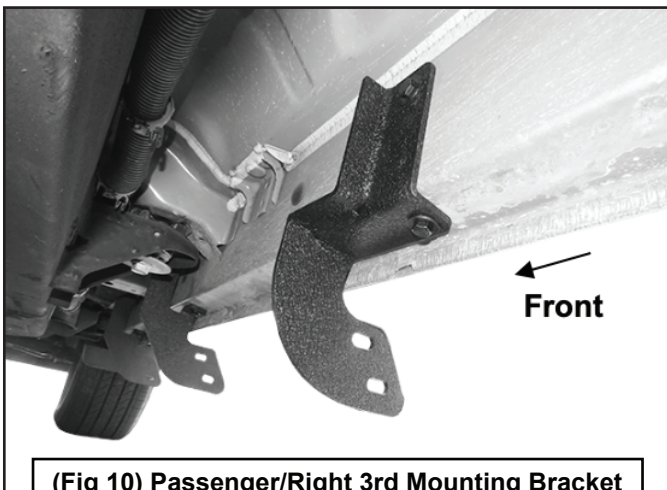
(Fig 8) Passenger/Right 3rd mounting location



- (2) 8mm Hex Bolts
- (2) 8mm Lock Washers
- (2) 8mm Flat Washers



(Fig 9) Attach the Passenger/Right 3rd Mounting Bracket to the 3rd mounting location

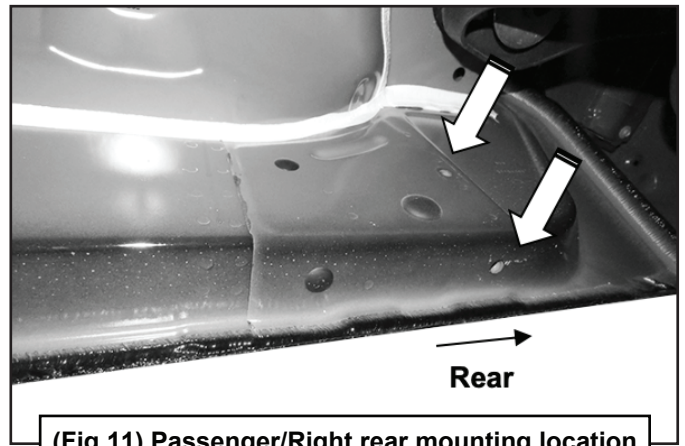


(Fig 10) Passenger/Right 3rd Mounting Bracket attached to the 3rd mounting location

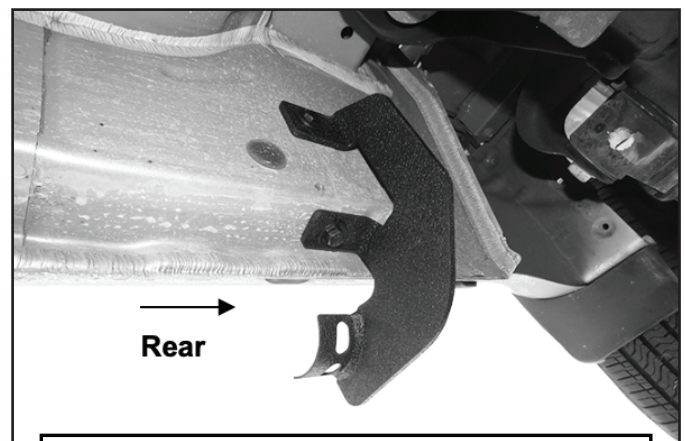
## STEP 5

Select the Passenger Right Rear Mounting Bracket. Repeat **STEPS 1 & 2** to attach the Bracket onto the rear mounting location on the body panel (Figs 11 & 12). **DO NOT** tighten hardware at this time.

### Passenger/Right Side Installation Pictured



(Fig 11) Passenger/Right rear mounting location



(Fig 12) Passenger/Right Rear Mounting Bracket attached to the rear mounting location



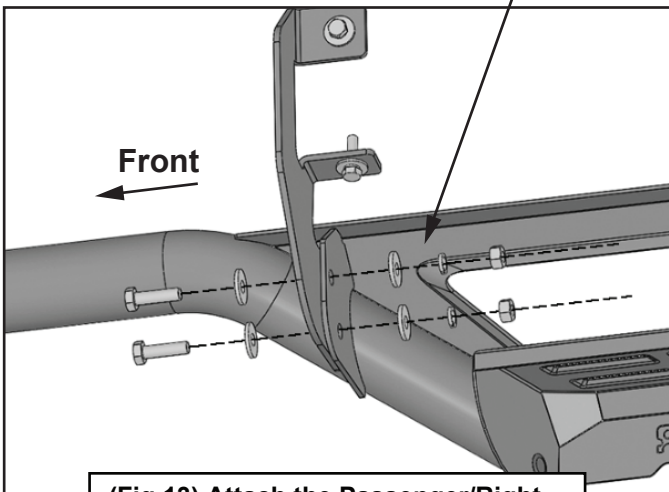
## STEP 6

Select the Passenger/Right Tyger Lander.

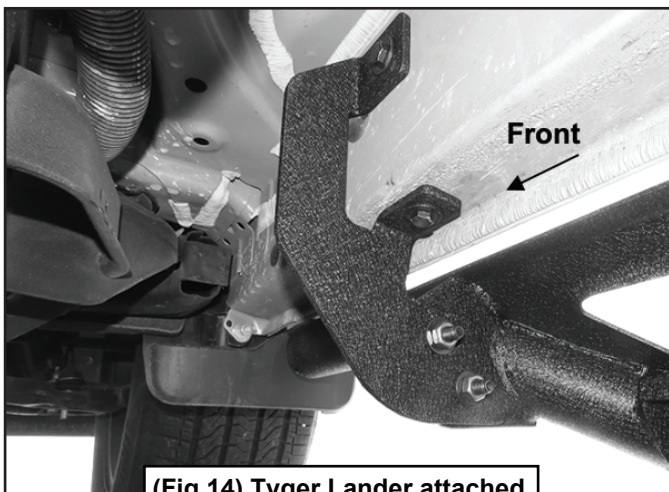
a. Attach the Lander to the rear faces of the front (3) Mounting Brackets with (6) 10mm Hex Bolts, (12) 10mm Flat Washers, (6) 10mm Lock washers and (6) 10mm Hex Nuts (Figs 13 & 14).

### Passenger/Right Side Installation Pictured

(2) 10mm Hex Bolts  
(4) 10mm Flat Washers  
(2) 10mm Lock Washers  
(2) 10mm Hex Nuts

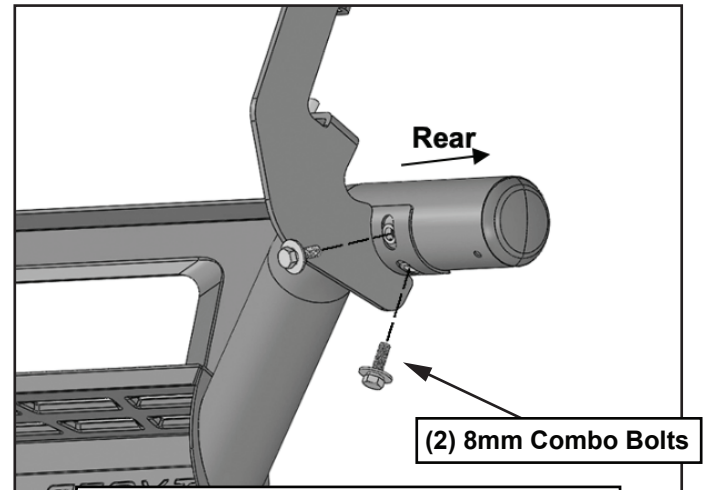


(Fig 13) Attach the Passenger/Right Tyger Lander to the rear faces of the Front, 2nd and 3rd Mounting Brackets



(Fig 14) Tyger Lander attached to the Front Mounting Bracket

b. Attach the Tyger Lander to the Rear Mounting Bracket with (2) 8mm Combo Bolts (Fig 15).



(Fig 15) Attach the Passenger/Right Tyger Lander to the Rear Mounting Bracket

c. DO NOT tighten hardware at this time.

## STEP 7

Level and adjust the Tyger Lander and fully tighten all hardware.

## STEP 8

Repeat **STEPS 1—7** to attach the Driver/Left Tyger Lander.

## STEP 9

Do periodic inspections to the installation to make sure that all hardware is secure and tight.

**ATTENTION:** To protect your investment, DO NOT use any type of polish or wax that may contain abrasives that could damage the finish. Mild soap may be used also to clean the Running Board.