



## TYGER LANDER®

TG-LD2C60178

### BEFORE INSTALLATION

READ INSTRUCTIONS CAREFULLY BEFORE STARTING INSTALLATION. REMOVE CONTENTS FROM BOX AND VERIFY ALL PARTS ARE PRESENT. FAILURE TO IDENTIFY DAMAGE BEFORE INSTALLATION COULD LEAD TO A REJECTION OF ANY CLAIM. IF MISSING PARTS OR ANY DAMAGE FOUND, PLEASE TAKE A PICTURE FOR THE CLAIM PURPOSE.

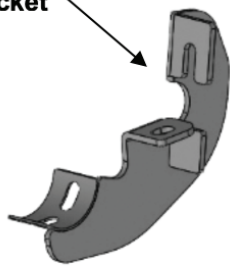
### TORQUE VALUES

Fastener Size	Class 8.8 Torque (ft-lbs)	Class 10.9 Torque (ft-lbs)
6mm	6-7	6-7
8mm	15-16	22-23
10mm	31-32	44-45
12mm	54-55	78-79
14mm	87-88	125-126

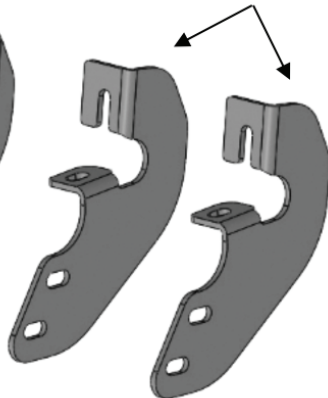
### Parts List

- x1 Driver/Left Tyger Lander
- x1 Passenger/Right Tyger Lander
- x2 Driver/Left Front/Center Mounting Brackets
- x2 Passenger/Right Front/Center Mounting Brackets
- x1 Driver/Left Rear Mounting Bracket
- x1 Passenger/Right Rear Mounting Bracket
- x8 10-1.5mm x 35mm Hex Bolts
- x16 10mm x 27mm OD x 3mm Flat Washers
- x8 10mm Lock Washers
- x8 10mm Hex Nuts
- x12 8-1.25mm x 30mm Hex Bolts
- x4 8-1.25mm x 25mm Combo Bolts
- x12 8mm Lock Washers
- x12 8mm x 24mm OD x 2mm Flat Washers
- x12 8mm Clip Nuts

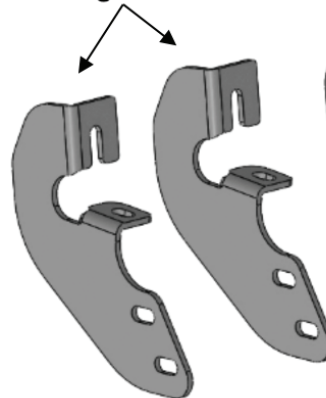
Passenger/Right Rear Mounting Bracket



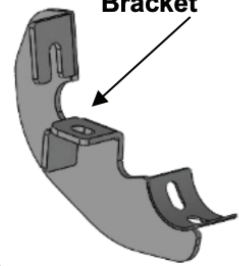
(2) Passenger/Right Front/Center Mounting Brackets



(2) Driver/Left Front/Center Mounting Brackets



Driver/Left Rear Mounting Bracket



Passenger/Right Tyger Lander





## PROCEDURE:

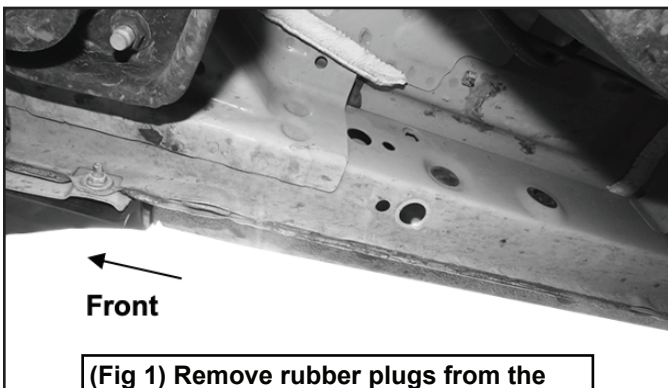
REMOVE CONTENTS FROM BOX. VERIFY ALL PARTS ARE PRESENT. READ INSTRUCTIONS CAREFULLY BEFORE STARTING INSTALLATION. ASSISTANCE IS RECOMMENDED.

## STEP 1

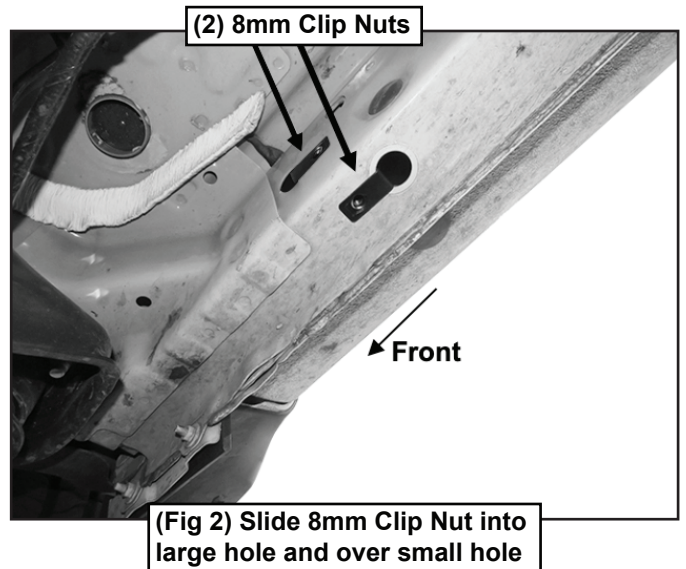
Start the installation under the Passenger/Right side of the vehicle. Locate the front mounting location along the bottom and inner side of the body panel (Fig 1). Installation will use the **1st**, **2nd** and **4th** mounting locations.

**NOTE:** It may help to hold a Bracket up in place to help determine the mounting holes to use along the bottom and inner side of the body.

Passenger/Right Side Installation Pictured



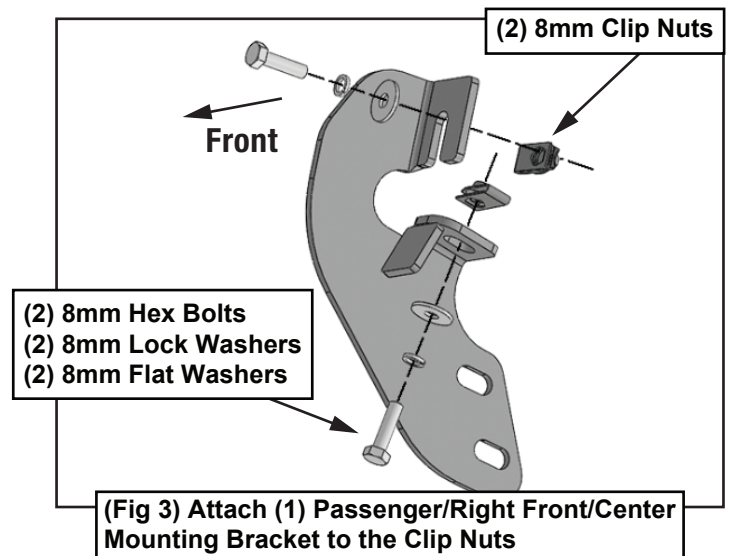
Passenger/Right Side Installation Pictured



## STEP 3

Select (1) Passenger/Right Front/Center Mounting Bracket. Attach the Bracket to the (2) Clip Nuts in the vehicle with (2) 8mm Hex Bolts, (2) 8mm Lock Washers and (2) 8mm Flat Washers (Fig 3). DO NOT tighten hardware.

Passenger/Right Side Installation Pictured



## STEP 2

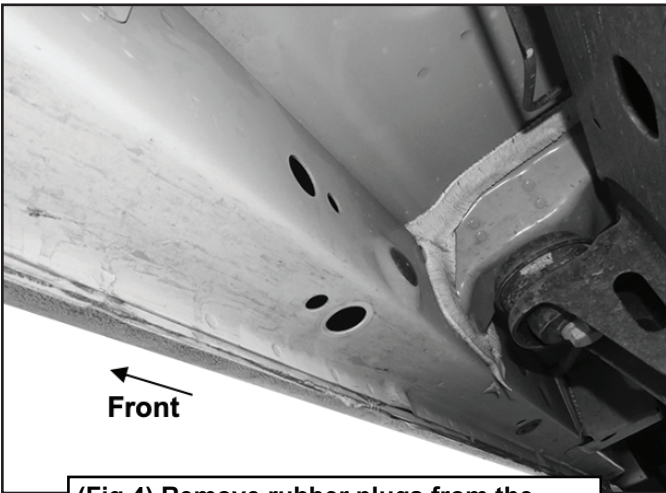
Remove rubber plugs from the front location. Select (2) 8mm Clip Nuts. Slide each Clip Nut into the large hole and over the smaller hole next to it. Line up threaded nut on the Clip Nut with smaller hole in body panel (Fig 2).



## STEP 4

Repeat **STEPS 1-3** to attach the remaining (1) Passenger/Right Front/Center Mounting Bracket to the 2nd location (Figs 3 & 4). **DO NOT** tighten hardware.

**Passenger/Right Side Installation Pictured**

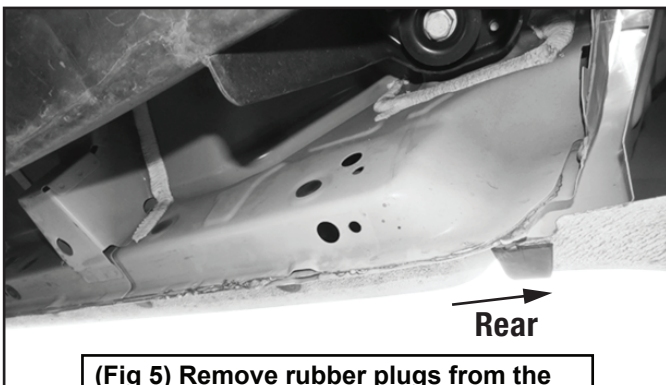


**(Fig 4) Remove rubber plugs from the Passenger/Right center mounting location**

## STEP 5

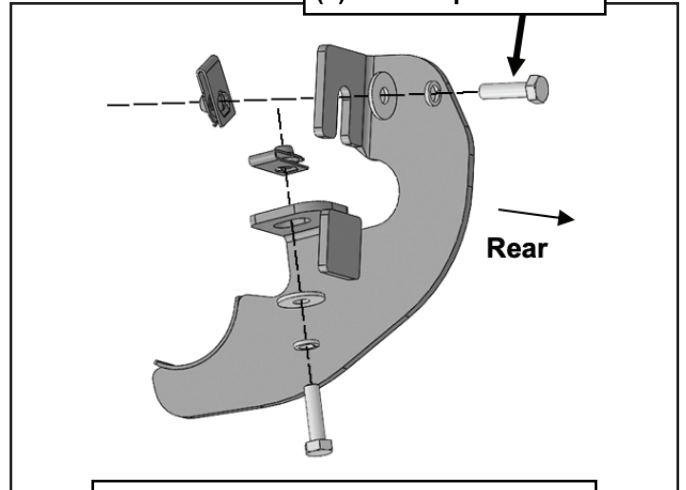
Repeat **STEPS 1-3** to attach the Passenger/Right Rear Mounting Bracket to the rear location (Figs 5 & 6). **DO NOT** tighten hardware.

**Passenger/Right Side Installation Pictured**



**(Fig 5) Remove rubber plugs from the Passenger/Right rear mounting location**

- (2) 8mm Hex Bolts
- (2) 8mm Lock Washers
- (2) 8mm Flat Washers
- (2) 8mm Clip Nuts

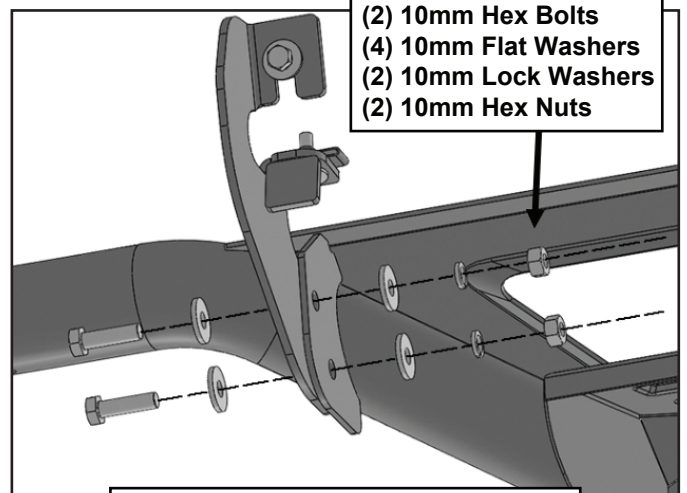


**(Fig 6) Attach the Passenger/Right Rear Mounting Bracket to the Clip Nuts**

## STEP 6

Select the Passenger/Right Tyger Lander. Attach the Lander to the rear faces of the Front and Center Mounting Brackets with (4) 10mm hex Bolts, (8) 10mm Flat Washers, (4) 10mm Lock Washers and (4) 10mm Hex Nuts (Fig 7). **DO NOT** tighten hardware.

- (2) 10mm Hex Bolts
- (4) 10mm Flat Washers
- (2) 10mm Lock Washers
- (2) 10mm Hex Nuts



**(Fig 7) Attach the Passenger/Right Tyger Lander to the rear faces of the Front and Center Mounting Brackets**

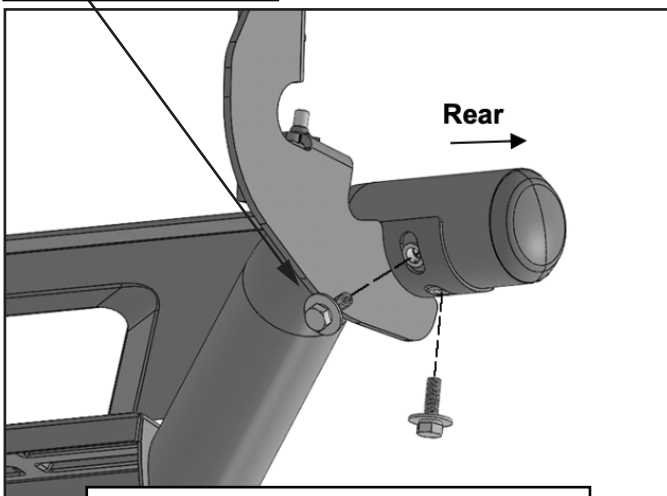


## STEP 7

Attach the Tyger Lander to the Rear Mounting Bracket with (2) 8mm Combo Bolts (Fig 8). DO NOT tighten hardware.

**Passenger/Right Side Installation Pictured**

(2) 8mm Combo Bolts



(Fig 8) Attach the Passenger/Right Tyger Lander to the Rear Mounting Bracket

## STEP 8

Repeat **STEPS 1-7** to attach the Driver/Left Tyger Lander.

## STEP 9

Do periodic inspections to the installation to make sure that all hardware is secure and tight.