



TYGER[®]

TYGER GUARD[™]

BEFORE INSTALLATION

READ INSTRUCTIONS CAREFULLY BEFORE STARTING INSTALLATION. REMOVE CONTENTS FROM BOX AND VERIFY ALL PARTS ARE PRESENT. ASSISTANCE IS RECOMMENDED. FAILURE TO IDENTIFY DAMAGE BEFORE INSTALLATION COULD LEAD TO A REJECTION OF ANY CLAIM. IF ANY DAMAGE FOUND, PLEASE TAKE A PICTURE FOR THE CLAIM PURPOSE.

WARNING

TEXTURED COATED FINISHES SHOULD BE CLEANED WITH A MILD SOAP ON A DAMP SPONGE. DO NOT APPLY POLISH OR WAX THAT REQUIRES TO BE REMOVED BY MEANS OF BUFFING. THIS TYPE OF WAX IS COMMONLY USED AT CAR WASH FACILITIES.



Passenger/Right
Tube Bracket



Driver/Left
Tube Bracket



Passenger/Right
Frame Mounting
Bracket



Driver/Left Frame
Mounting Bracket

TG-GD6T60458

NOTE: It may be necessary to remove/relocate front license plate and license plate bracket. It is not required, but strongly recommended.

Parts List

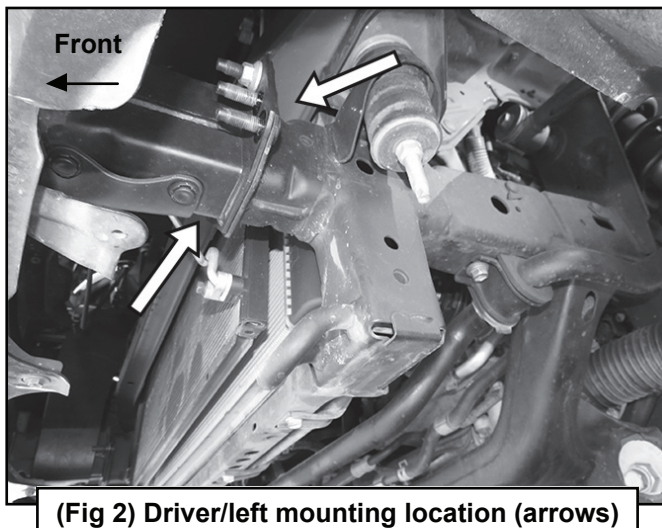
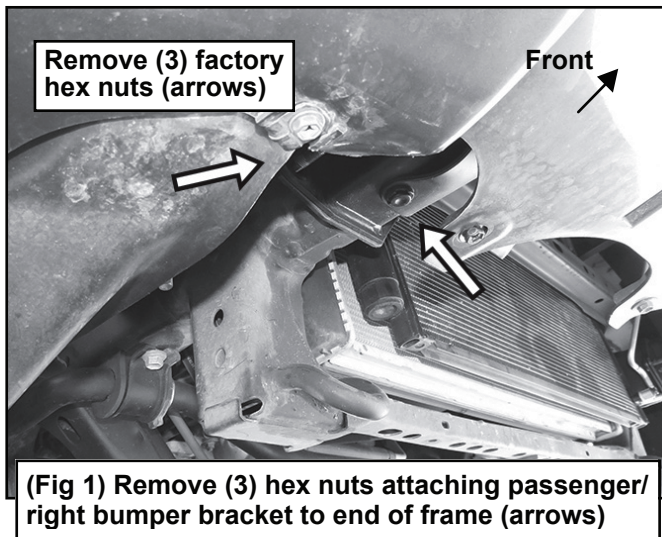
- x1** Tyger Guard
- x1** Driver/left Frame Mounting Bracket
- x1** Passenger/right Frame Mounting Bracket
- x1** Driver/left Tube Mounting Bracket
- x1** Passenger/right Tube Mounting Bracket
- x4** 10-1.5mm x 35mm Hex Bolts
- x8** 10mm x 27mm OD x 3mm Flat Washers
- x4** 10-1.5mm Nylon Lock Nuts
- x4** 8-1.25mm x 35mm Hex Bolts
- x4** 8mm x 24mm x Flat Washers
- x4** 8mm Lock Washers
- x2** 6-1.0mm x 20 Combination Bolts
- x1** 4mm Allen Wrench



STEP 1

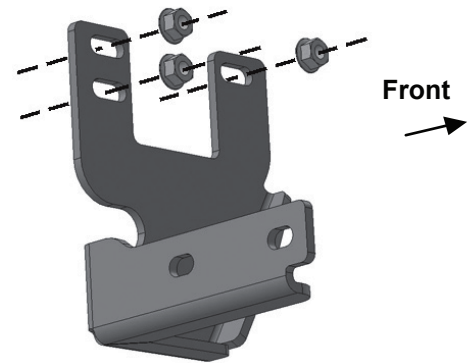
From under the front passenger/left side of the vehicle, remove (3) factory hex flange nuts, (2 to the outside, 1 to the inside of frame channel), securing the bumper bracket to the end of the frame channel, (Fig 1).

NOTE: Only remove the (3) factory hex nuts required to install the Mounting Bracket.

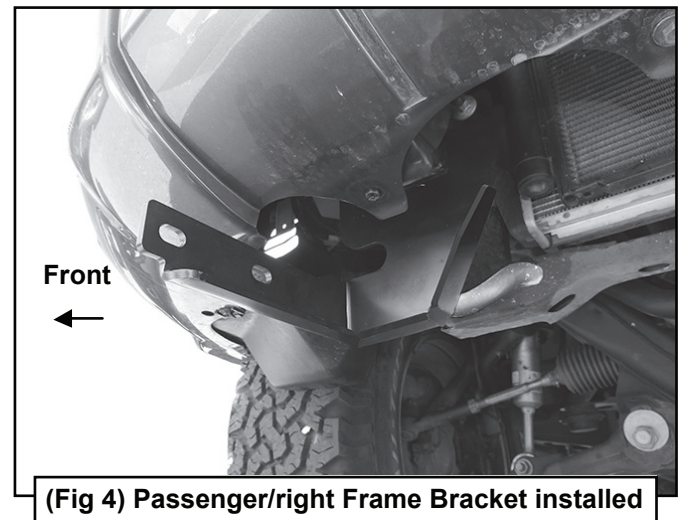


STEP 2

Select the passenger/right Frame Mounting Bracket, (Fig 3). Reuse the factory hex nuts to attach the Frame Bracket to the (3) threaded studs, (Fig 3 & 4). Do not tighten hardware at this time.



(Fig 3) Reuse (3) factory hex nuts to attach passenger/right Frame Bracket to end of frame



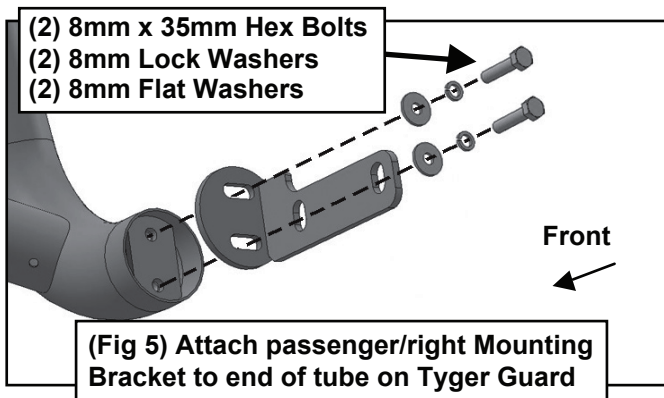
STEP 3

Repeat Steps 1-2 to install the passenger/right Frame Mounting Bracket, (Fig 2).



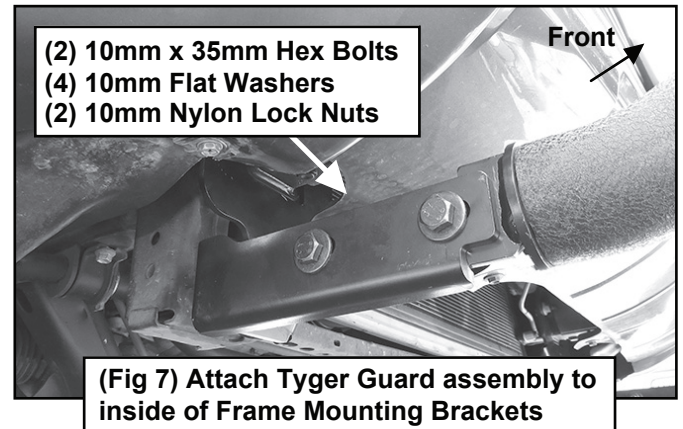
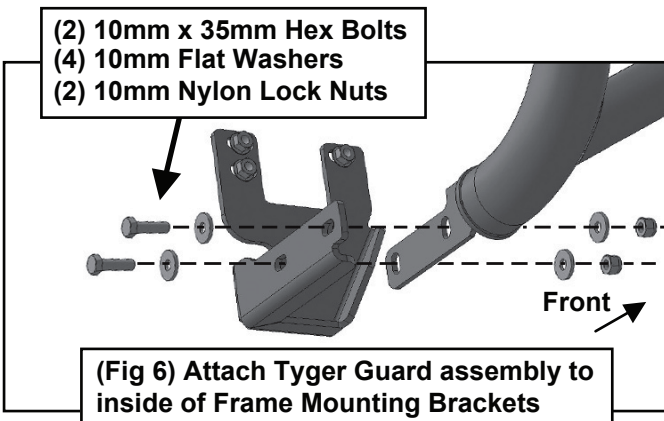
STEP 4

Select the passenger/right Tube Mounting Bracket, (Fig 5). Attach the Bracket to the end of the tube on the Tyger Guard with the included (2) 8mm x 35mm Hex Bolts, (2) 8mm Lock Washers and (2) 8mm Flat Washers. Do not fully tighten hardware at this time. Repeat this Step to attach the driver/left Tube Mounting Bracket.



STEP 5

With assistance, line up the Brackets on the Tyger Guard with the inside of the Frame Brackets. Attach the Tube Brackets to the Frame Brackets with the included (4) 10mm x 35mm Hex Bolts, (8) 10mm Flat Washers and (4) 10mm Nylon Lock Nuts, (Fig 6 & 7). Snug but do not tighten hardware at this time.



STEP 6

Level and adjust the Tyger Guard and tighten all hardware.

STEP 7

Use the included (2) 6mm x 20mm Combo Bolts to attach the license plate to the Tyger Guard.

STEP 8

Do periodic inspections to the installation to make sure that all hardware is secure and tight.

