



# TYGER<sup>®</sup>

## TYGER GUARD<sup>™</sup>

### BEFORE INSTALLATION

READ INSTRUCTIONS CAREFULLY BEFORE STARTING INSTALLATION. REMOVE CONTENTS FROM BOX AND VERIFY ALL PARTS ARE PRESENT. ASSISTANCE IS RECOMMENDED. FAILURE TO IDENTIFY DAMAGE BEFORE INSTALLATION COULD LEAD TO A REJECTION OF ANY CLAIM. IF ANY DAMAGE FOUND, PLEASE TAKE A PICTURE FOR THE CLAIM PURPOSE.

### WARNING

TEXTURED COATED FINISHES SHOULD BE CLEANED WITH A MILD SOAP ON A DAMP SPONGE. DO NOT APPLY POLISH OR WAX THAT REQUIRES TO BE REMOVED BY MEANS OF BUFFING. THIS TYPE OF WAX IS COMMONLY USED AT CAR WASH FACILITIES.



Passenger/Right Side  
Frame Bracket

Driver/Left Side  
Frame Bracket

Passenger/Right Side  
Tyger Guard Bracket

Driver/Left Side  
Tyger Guard Bracket

**TG-GD6T60448**

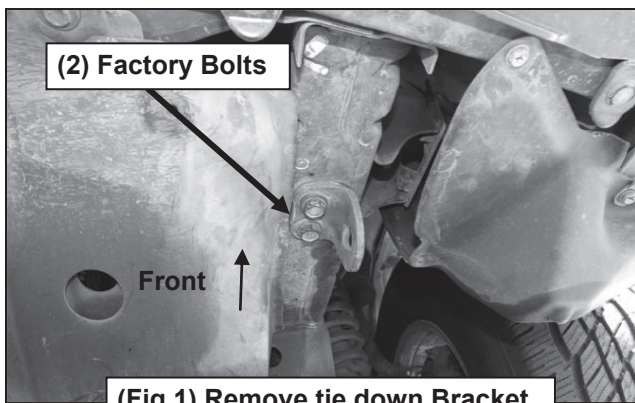
### Parts List

- x1 Tyger Guard
- x1 Driver/Left Side Frame Bracket
- x1 Passenger/Right Side Frame Bracket
- x1 Driver/Left Side Tyger Guard Bracket
- x1 Passenger/Right Side Tyger Guard Bracket
- x4 12-1.25mm x 30mm Fine Thread Hex Bolts
- x4 12mm Lock Washers
- x4 12mm x 24mm x 2.5mm Flat Washers
- x4 10-1.50mm x 35mm Hex Bolts
- x8 10mm x 27mm x 2.5mm Flat Washers
- x4 10-1.5mm Nylon Lock Nuts
- x4 8-1.25mm x 35mm Hex Bolts
- x4 8mm Lock Washers
- x4 8mm x 22mm x 2mm Flat Washers
- x1 4mm Allen Wrench
- x2 6-1.0mm x 20mm Allen Combo Bolts



## STEP 1

Starting on the driver side of the vehicle, remove the factory bolts and tie down bracket, if equipped, from the bottom of the driver side frame channel, (Figure 1). **IMPORTANT:** Do not work with adaptive cruise control. Tow hooks must be removed.

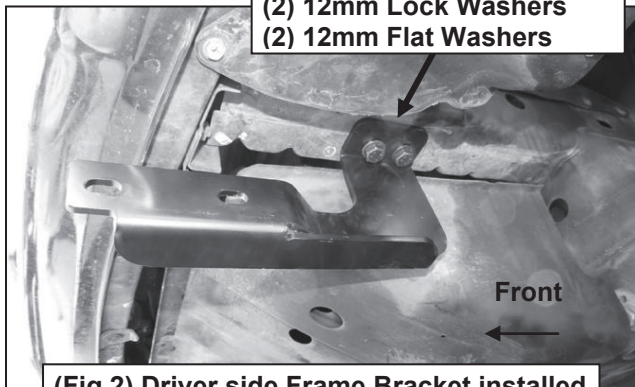


(Fig 1) Remove tie down Bracket

## STEP 2

Select the driver side Frame Bracket. Reuse the (2) factory hex bolts or use the provided (2) 12mm Hex Bolts, (2) 12mm Lock Washers and (2) 12mm Flat Washers to attach the Bracket to the bottom of the frame channel, (Figure 2). Do not tighten hardware at this time.

Use the (2) factory bolts or:  
(2) 12mm Hex Bolts  
(2) 12mm Lock Washers  
(2) 12mm Flat Washers



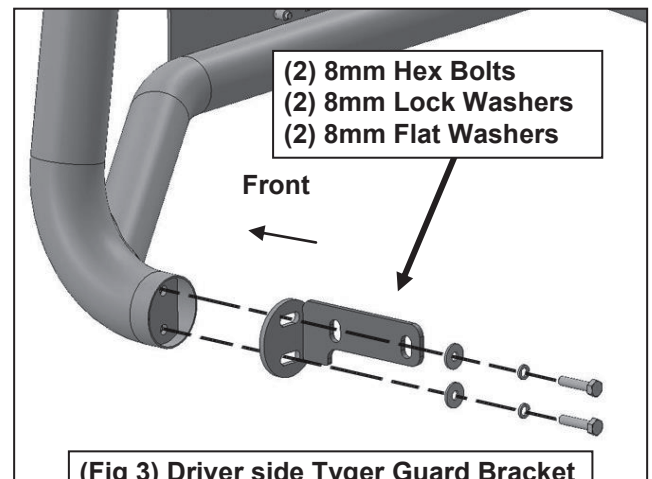
(Fig 2) Driver side Frame Bracket installed

## STEP 3

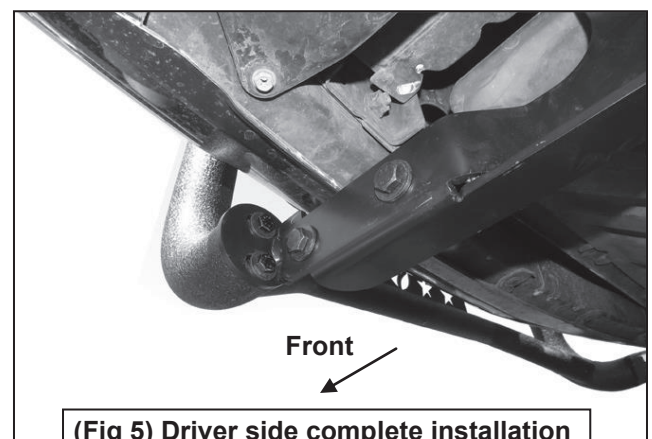
Repeat Steps 1 & 2 for passenger side Frame Bracket installation.

## STEP 4

Select the driver/left side Tyger Guard Bracket, (Figure 3). Attach the Bracket to the end of the tube on the driver side of the Tyger Guard with (2) 8mm Hex Bolts, (2) 8mm Lock Washers and (2) 8mm Flat Washers, (Figures 3 & 5). Do not tighten hardware.



(Fig 3) Driver side Tyger Guard Bracket attached to Tyger Guard



(Fig 5) Driver side complete installation

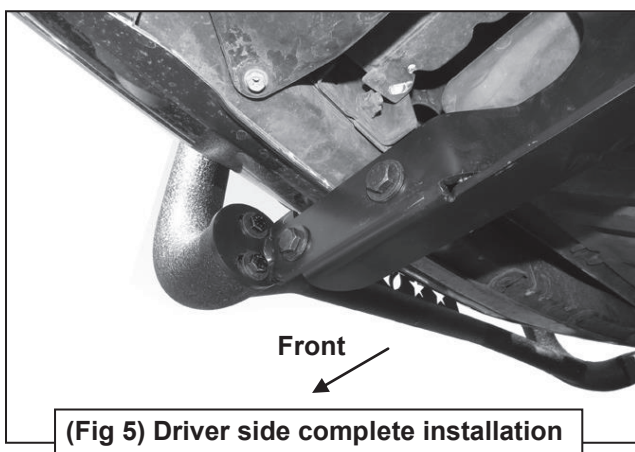
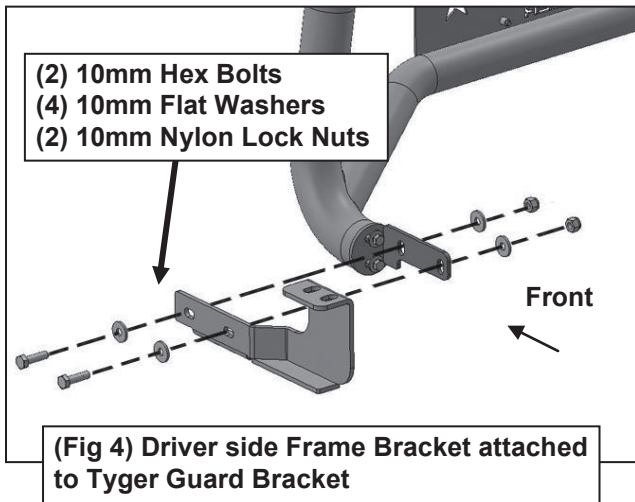


## STEP 5

Repeat Step 4 to install the passenger side Tyger Guard Bracket.

## STEP 6

With assistance, position the Tyger Guard with attached Tyger Guard Brackets up to the Frame Brackets. Attach the Tyger Guard to the Frame Brackets using the included (2) 10mm Hex Bolts, (4) 10mm Flat Washers and (2) 10mm Nylon Lock Nuts, (Figures 4 & 5).



## STEP 7

Level and adjust the Tyger Guard properly and tighten all hardware at this time.

## STEP 8

Do periodic inspections to the installation to make sure that all hardware is secure and tight.



Complete Installation