



# TYGER®

## TYGER GUARD™

TG-GD6N60268

### BEFORE INSTALLATION

READ INSTRUCTIONS CAREFULLY BEFORE STARTING INSTALLATION. REMOVE CONTENTS FROM BOX AND VERIFY ALL PARTS ARE PRESENT. FAILURE TO IDENTIFY DAMAGE BEFORE INSTALLATION COULD LEAD TO A REJECTION OF ANY CLAIM. IF MISSING PARTS OR ANY DAMAGE FOUND, PLEASE TAKE A PICTURE FOR THE CLAIM PURPOSE.

### TORQUE VALUES

Fastener Size	Class 8.8 Torque (ft-lbs)	Class 10.9 Torque (ft-lbs)
6mm	6-7	6-7
8mm	15-16	22-23
10mm	31-32	44-45
12mm	54-55	78-79
14mm	87-88	125-126

## Parts List

- x1 Tyger Guard
- x1 Driver/Left Side Frame Mounting Bracket
- x1 Passenger/Right Side Frame Mounting Bracket
- x4 12-1.25mm x 45mm Fine Thread Hex Bolts
- x4 12mm x 37mm OD x 3mm Flat Washers
- x4 12mm Lock Washers
- x4 10-1.50mm x 30mm Hex Bolts
- x8 10mm x 20mm OD x 2mm Flat Washers
- x4 10-1.50mm Nylon Lock Nuts
- x2 6-1.00mm x 20mm Combo Bolts
- x1 4mm Allen Wrench

TYGER Guard



V200916



## STEP 1

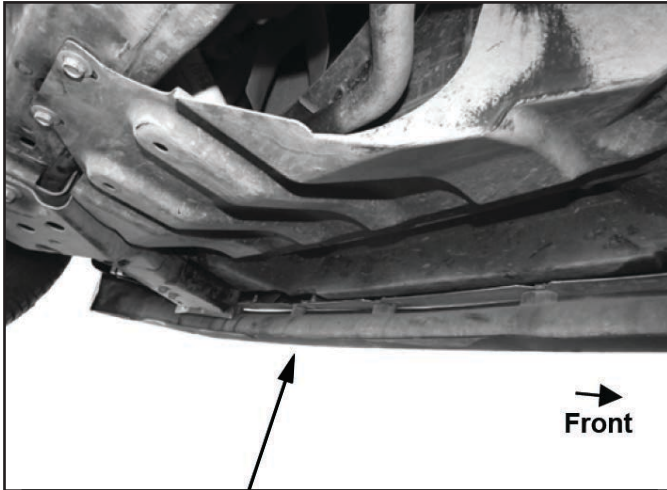
REMOVE CONTENTS FROM BOX. VERIFY ALL PARTS ARE PRESENT. READ INSTRUCTIONS CAREFULLY BEFORE STARTING INSTALLATION. INSTALLATION MAY INTERFERE WITH FRONT MOUNTED SENSORS. METAL SKID PLATE MUST BE REMOVED IF EQUIPPED. CUTTING MAY BE REQUIRED. ASSISTANCE IS RECOMMENDED.

## STEP 2

Start installation from under the front of the vehicle and remove the plastic splash guard from the bottom of the frame, (Figure 1). On models equipped with metal skid plate, remove skid plate.

**NOTE:** Skid plate cannot be reinstalled.

### Passenger/Right Side Installation Pictured



(Fig 1) Remove splash guard (pictured from below)

## STEP 3

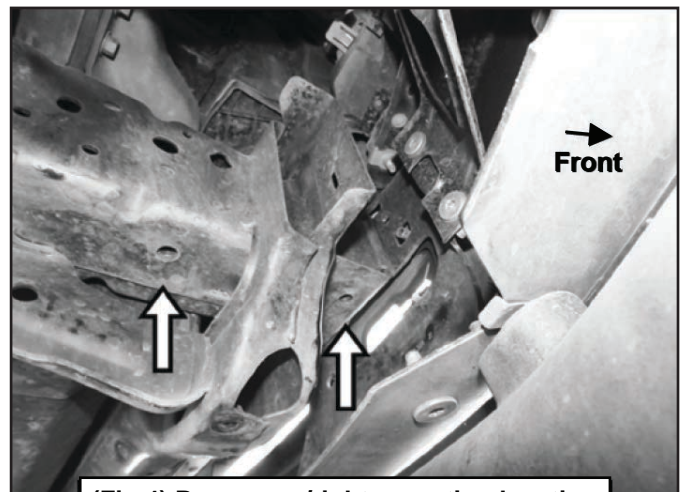
Remove tow hooks, (Figures 2 & 4).

**NOTE:** The plastic fill panel may require minor cutting for Bracket clearance-remove fill panel to cut for clearance, (Figure 3).

### Passenger/Right Side Installation Pictured



(Fig 2) Remove tow hooks



(Fig 4) Passenger/right mounting location



(Fig 3) Cut opening to clear Brackets if needed

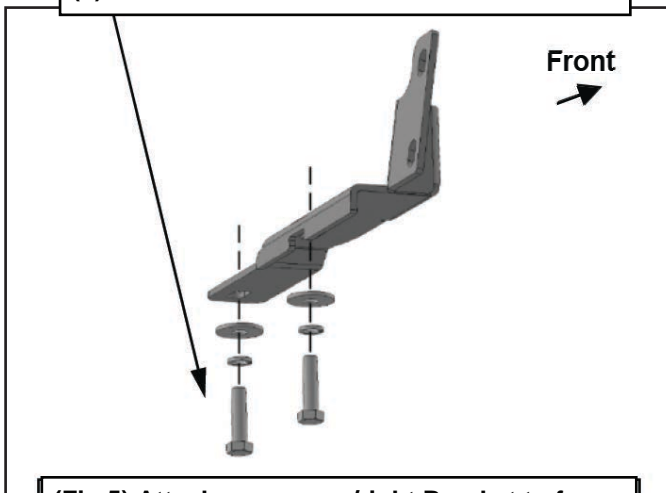


## STEP 4

Select the passenger/right side Mounting Bracket, (Figure 5).

### Passenger/Right Side Installation Pictured

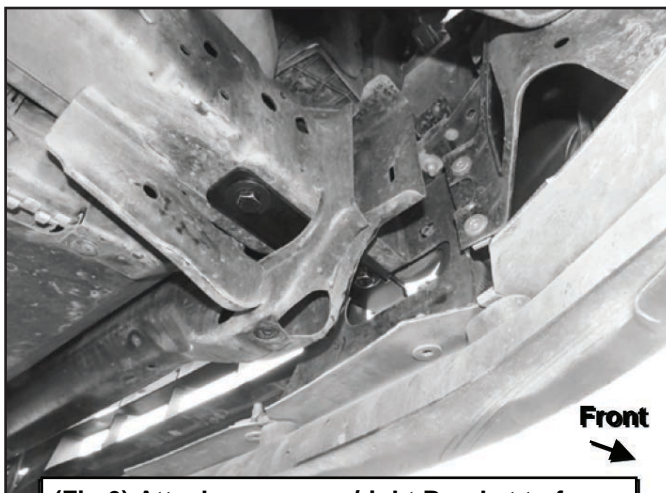
Reuse tow hook bolts or the included:  
(2) 12-1.25mm x 45mm Fine Thread Hex Bolts  
(2) 12mm Lock Washers  
(2) 12mm Flat Washers



(Fig 5) Attach passenger/right Bracket to frame

Slide the Bracket through the opening in the plastic fill panel for the tow hook, (Figure 6).

### Passenger/Right Side Installation Pictured



(Fig 6) Attach passenger/right Bracket to frame

Line up the Bracket with the (2) mounting holes in the bottom of the frame. Attach the Bracket to the frame with (2) 12-1.25mm x 45mm Fine Thread Hex Bolts, (2) 12mm Lock Washers and (2) 12mm Flat Washers, (Figure 5—7).

**VERY IMPORTANT:** Use only the provided 12-1.25mm x 45mm Fine Thread Hex Bolts or factory tow hook bolts to attach the Brackets to the vehicle or damage to the frame may result. DO NOT tighten hardware at this time.

### Passenger/Right Side Installation Pictured



(Fig 7) Passenger/Right Bracket installed

## STEP 5

Repeat **STEP 4** for driver/left side Frame Bracket installation.

## STEP 6

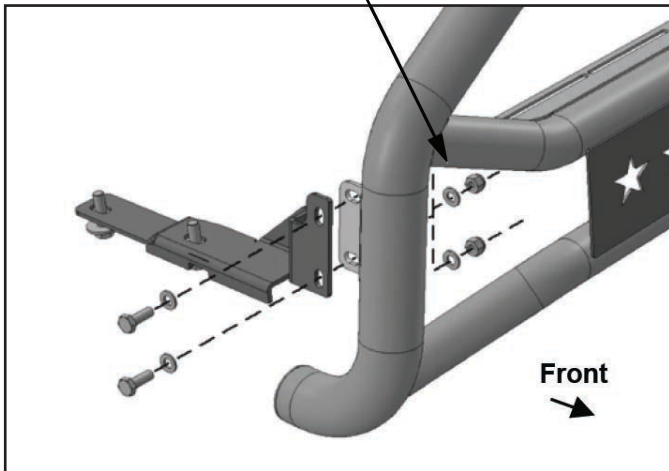
With assistance, position the Tyger Guard onto the inside of the Mounting Brackets. Attach the Tyger Guard to the Mounting Brackets with (4) 10-1.5mm x 30mm Hex Bolts, (8) 10mm Flat Washers and (4) 10mm Nylon Lock Nuts, (Figures 8 & 9). DO NOT tighten at this time.



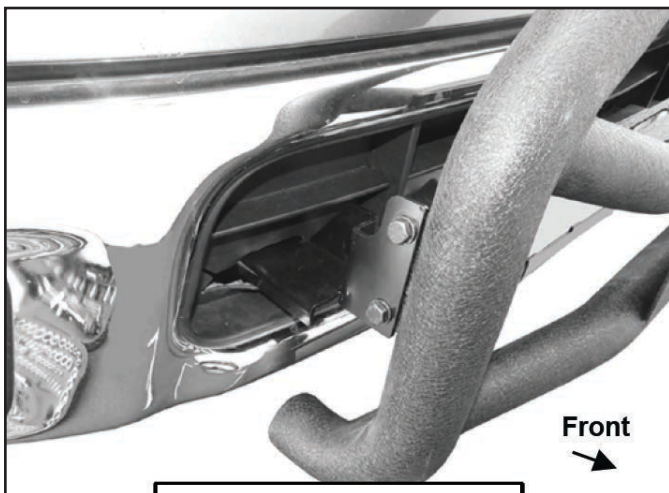
# TYGER<sup>®</sup>

Passenger/Right Side Installation Pictured

- (2) 10-1.5mm x 30mm Hex Bolts
- (4) 10mm Flat Washers
- (2) 10mm Nylon Lock Nuts



(Fig 8) Attach Tyger Guard to Passenger/Right Bracket



(Fig 9) Tyger Guard installed

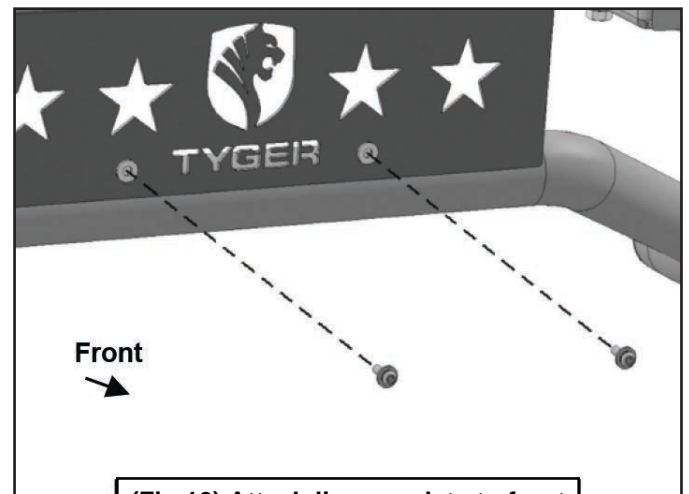
## STEP 7

Level and adjust the Tyger Guard and fully tighten all hardware.

## STEP 8

Attach the license plate, (if required), to the threaded holes in the front of the Tyger Guard with the included (2) 6mm Combo Bolts, (Figure 10).

Passenger/Right Side Installation Pictured



(Fig 10) Attach license plate to front

## STEP 9

Do periodic inspections to the installation to make sure that all hardware is secure and tight.