



TYGER[®]

TYGER GUARD™

TG-GD6N60158

BEFORE INSTALLATION

READ INSTRUCTIONS CAREFULLY BEFORE STARTING INSTALLATION. REMOVE CONTENTS FROM BOX AND VERIFY ALL PARTS ARE PRESENT. ASSISTANCE IS RECOMMENDED. FAILURE TO IDENTIFY DAMAGE BEFORE INSTALLATION COULD LEAD TO A REJECTION OF ANY CLAIM. IF ANY DAMAGE FOUND, PLEASE TAKE A PICTURE FOR THE CLAIM PURPOSE.

WARNING

TEXTURED COATED FINISHES SHOULD BE CLEANED WITH A MILD SOAP ON A DAMP SPONGE. DO NOT APPLY POLISH OR WAX THAT REQUIRES TO BE REMOVED BY MEANS OF BUFFING. THIS TYPE OF WAX IS COMMONLY USED AT CAR WASH FACILITIES.

NOTE: May require cutting. Installation may interfere with front mounted sensors. Not recommended for vehicles with optional "active" laser guided cruise control systems.

Parts List

- x1 Tyger Guard
- x1 Driver/Left Tube Mounting Bracket
- x1 Passenger/Right Tube Mounting Bracket
- x1 Driver/Left Frame Mounting Bracket
- x1 Passenger/Right Frame Mounting Bracket
- x4 12-1.25mm x 35mm Hex Bolts
- x4 12mm Lock Washers
- x4 12mm x 37mm OD x 3mm Flat Washers
- x4 8-1.25mm x 35mm Hex Bolts
- x4 8mm Lock Washers
- x4 8mm x 22mm OD x 2mm Flat Washers
- x4 10-1.5mm x 35mm Hex Bolts
- x8 10mm x 27mm OD x 3mm Flat Washers
- x4 10mm Nylon Lock Nuts
- x2 6-1.0mm x 20mm Combo Bolts (license plate)
- x1 4mm Wrench



Passenger/Left Tube Mounting Bracket



Driver/Right Tube Mounting Bracket



Passenger/Left Frame Mounting Bracket



Driver/Right Frame Mounting Bracket

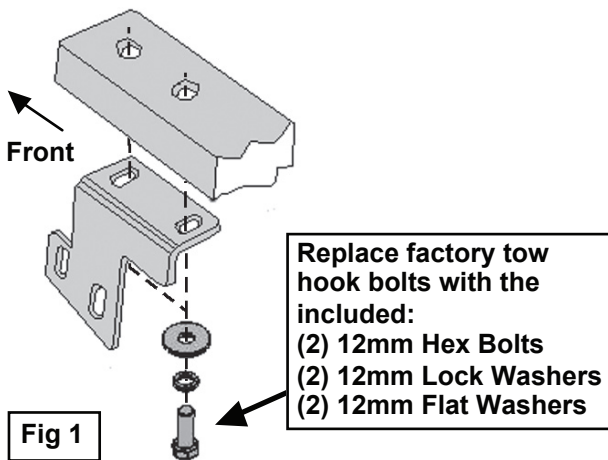


TYGER[®]

STEP 1

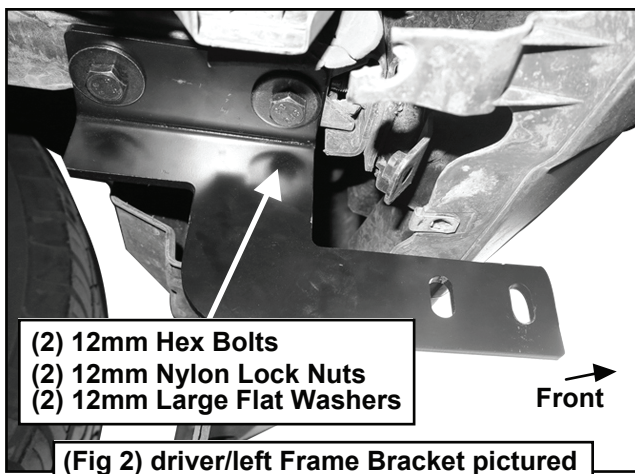
Start installation from under the front of the vehicle. Remove the factory tow hook, (if equipped), located on the driver side, (Fig 1).

NOTE: The tow hooks will not be reinstalled. It may be necessary to remove the lower plastic splash guard or air dam. Move air dam to stable working area.



STEP 2

Select the driver/left side Frame Mounting Bracket. Bolt the Bracket to the tow hook location on the bottom of the frame channel with the included (2) 12mm Hex Bolts, (2) 12mm Lock Washers and (2) 12mm Flat Washers, (Figs 1-2). Do not tighten hardware at this time.

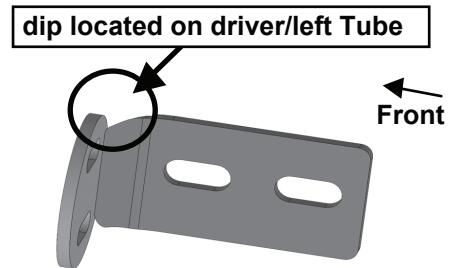


STEP 3

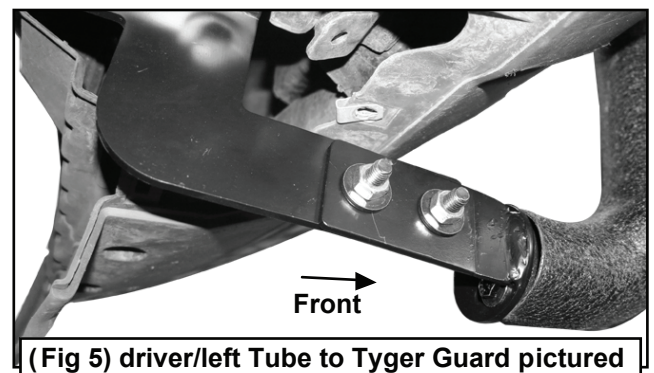
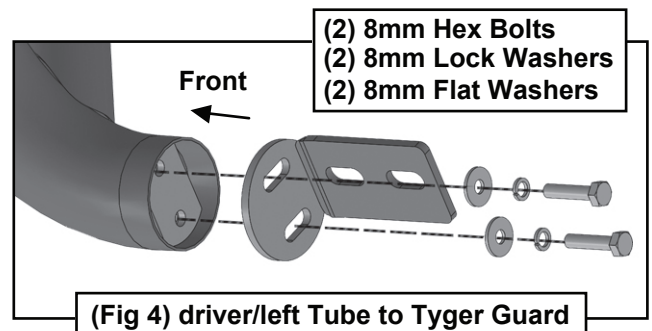
Repeat Steps 1-2 for the passenger side Frame Mounting Bracket installation.

STEP 4

Carefully unwrap the Tyger Guard. Select (1) driver/left side Tube Mounting Bracket, (Fig 3). Attach the Bracket to the end of the Tyger Guard with (2) 8mm Hex Bolts, (2) 8mm Lock Washers and (2) 8mm Flat Washers, (Figs 4-5). Do not tighten hardware at this time.



(Fig 3) driver/left Tube Bracket





TYGER®

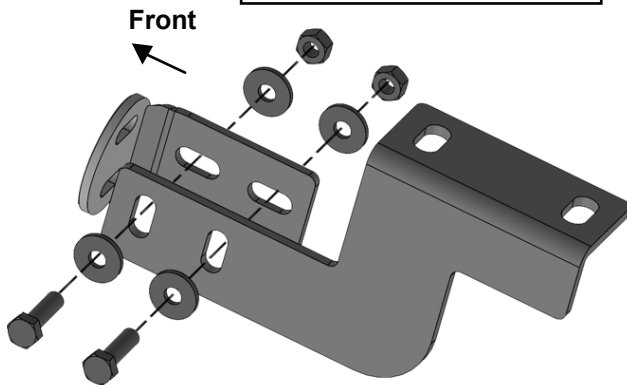
STEP 5

Repeat Step 4 for the passenger side Tube Mounting Bracket installation.

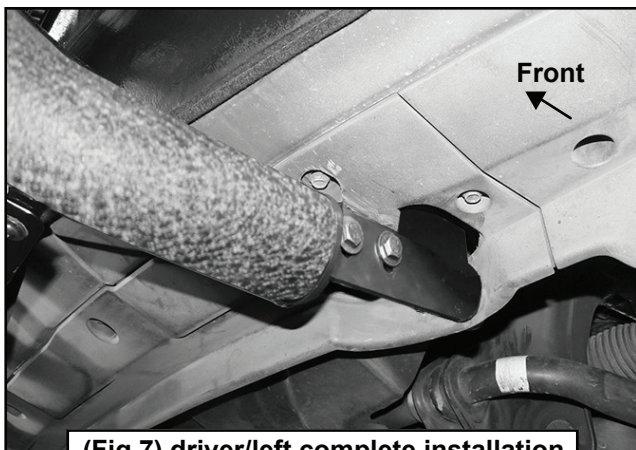
STEP 6

With assistance, position the Tyger Guard onto the outside of the Frame Mounting Brackets. Bolt the Tyger Guard to the Mounting Brackets using the included (4) 10mm Hex Bolts, (8) 10mm Flat Washers and (4) 10mm Nylon Lock Nuts, (Figs 6-7).

(2) 10mm Hex Bolts
(4) 10mm Flat Washers
(2) 10mm Nylon Lock Nuts



(Fig 6) driver/left Tube to Frame Bracket



(Fig 7) driver/left complete installation

STEP 7

Align the Tyger Guard properly and tighten all hardware bolting the (2) Brackets to the frame only. Do not tighten the Tyger Guard hardware at this time.

STEP 8

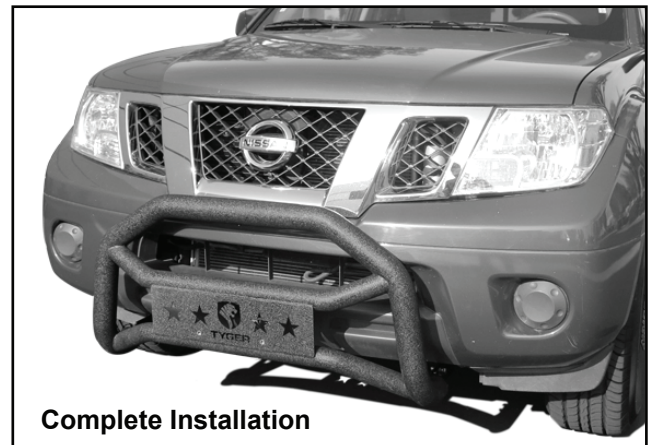
Remove the Tyger Guard. Place the air dam in position over the Brackets. Carefully cut slots in the plastic splash guard or air dam to allow the Brackets to pass through, (Fig 7). Remove as little plastic as possible for a clean installation. Once properly trimmed, re-install the air dam using the factory hardware. Re-install the Tyger Guard as described in Steps 6-7. Tighten Bracket to vehicle hardware only.

STEP 9

Level and adjust the Tyger Guard properly and tighten all hardware.

STEP 10

Do periodic inspections to the installation to make sure that all hardware is secure and tight.



Complete Installation

Learn more about grille guards and bull bars we have.