



TYGER®

TYGER GUARD™

TG-GD6J60468

BEFORE INSTALLATION

READ INSTRUCTIONS CAREFULLY BEFORE STARTING INSTALLATION. REMOVE CONTENTS FROM BOX AND VERIFY ALL PARTS ARE PRESENT. ASSISTANCE IS RECOMMENDED. FAILURE TO IDENTIFY DAMAGE BEFORE INSTALLATION COULD LEAD TO A REJECTION OF ANY CLAIM. IF ANY DAMAGE FOUND, PLEASE TAKE A PICTURE FOR THE CLAIM PURPOSE.

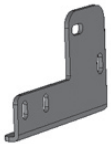
WARNING

TEXTURED COATED FINISHES SHOULD BE CLEANED WITH A MILD SOAP ON A DAMP SPONGE. DO NOT APPLY POLISH OR WAX THAT REQUIRES TO BE REMOVED BY MEANS OF BUFFING. THIS TYPE OF WAX IS COMMONLY USED AT CAR WASH FACILITIES.

NOTE: Cutting is required. Assistance is recommended.

Parts List

- x1 Tyger Guard
- x1 Driver/Left Frame Mounting Bracket
- x1 Passenger/Right Frame Mounting Bracket
- x2 Mounting Brackets
- x2 10mm Bolt/10mm Nut plates
- x8 10-1.5mm x 35mm Hex Bolts
- x12 10mm x 30mm OD x 2.5mm Flat Washers
- x8 10mm Lock Washers
- x2 10mm Plastic Retainers
- x6 10mm Hex Nuts
- x4 8-1.25mm x 35mm Hex bolts
- x4 8mm x 24mm x 2mm Flat Washers
- x4 8mm Lock Washers
- x2 6-1.0mm x 20mm Button Head Combo Bolts
- x1 Allen Wrench



Passenger/right Side Frame Bracket



Driver/left Side Frame Bracket



L/R Mounting Brackets



10mm Bolt/Nut Plates



STEP 1

Remove the plastic splash guard from under the front bumper and place it on a clean, stable work surface, (Figs 1 & 6). Models with steel skid plate, skid plate must be removed and cannot be reinstalled.

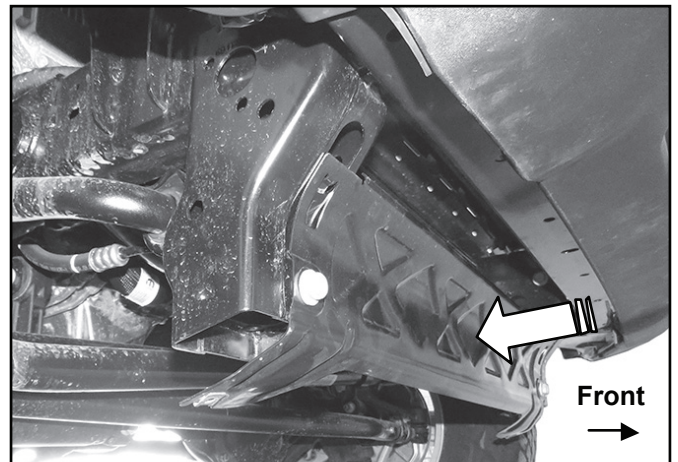
Models with plastic splash guard:

a. Starting on the passenger/right side, locate the lower hex shaped hole in the outside of the frame, (Fig 2).

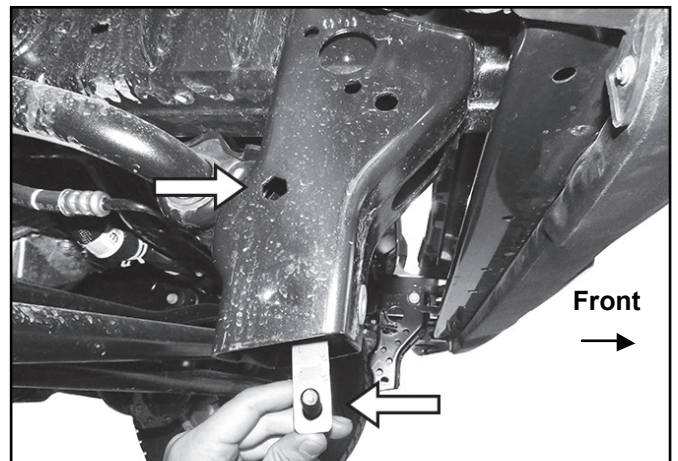
Insert (1) 10mm Bolt/Nut Plate, (end with welded nut first), into the open end of the bottom of the frame and push the welded hex bolt through the hex shaped hole, (Fig 3). Thread (1) 10mm Plastic Retainer onto the Bolt/Nut Plate to hold it in position.

NOTE: Plastic Retainer is designed to hold the Bolt Plate in position to help with Bracket installation. Use is not mandatory.

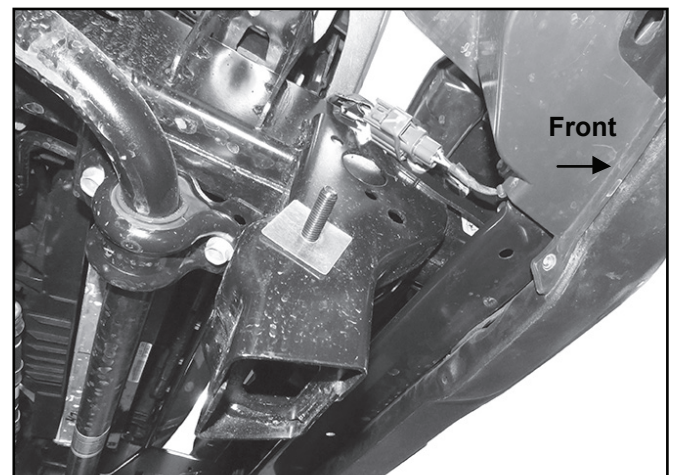
IMPORTANT: Remove the steel frame bracket for the splash guard if more room is necessary to install the Bolt/Nut Plate, (Fig 1).



(Fig 1) Remove splash guard and bracket (arrow)



(Fig 2) Insert 10mm Bolt/Nut Plate into bottom of frame and out hex hole in side of frame (arrows)



(Fig 3) Use Retainer to hold 10mm Bolt/Nut Plate

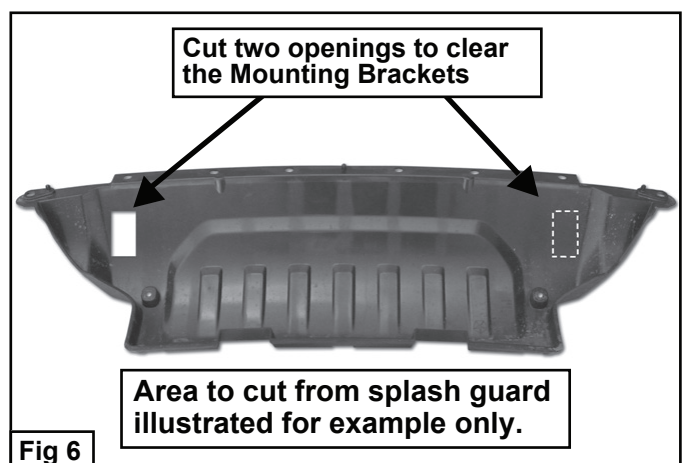
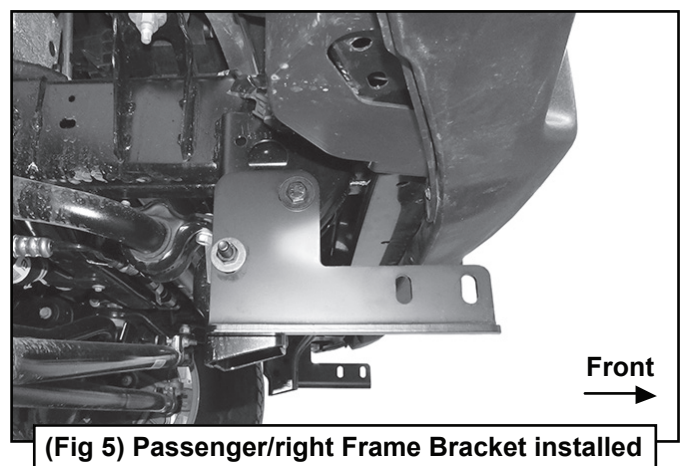
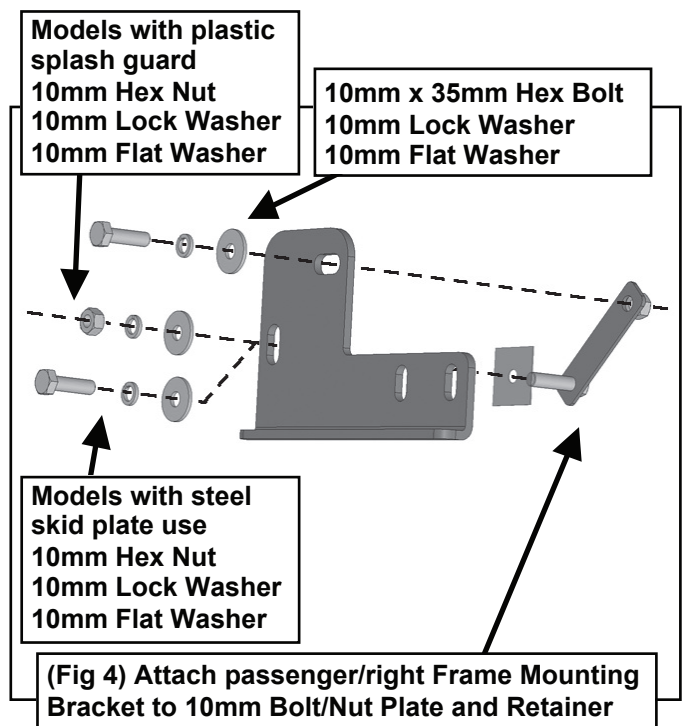


b. Select the passenger/right side Frame Mounting Bracket, (Fig 4). Attach the Bracket to the Bolt on the Bolt Nut Plate with (1) 10mm Flat Washer, (1) 10mm Lock Washer and (1) 10mm Hex Nut. Leave loose at this time. Grab the threaded end of the 10mm Bolt/Nut Plate and rotate it until the top end with the welded Nut lines up with the round hole in the outside of the frame and the top mounting hole in the Bracket. Attach the Bracket to the Bolt/Nut Plate with (1) 10mm x 35mm Hex bolt, (1) 10mm Lock Washer and (1) 10mm Flat Washer, (Figs 4-5). Snug but do not fully tighten Bracket hardware at this time. Reinstall the steel frame bracket for the splash guard if previously removed

Models with steel skid plate:

a. Select the passenger/right side Frame Mounting Bracket. Attach the Bracket to the lower threaded hole in the outside of the frame with (1) 10mm x 35mm Hex bolt, (1) 10mm Lock Washer and (1) 10mm Flat Washer, (Fig 4). Do not tighten.

b. Repeat the previous Steps to install the Bolt/Nut Plate into the open end of the frame and up to the top mounting hole, (Fig 2). Attach the top of the Bracket to the Nut end on the Bolt /Nut Plate with (1) 10mm x 35mm Hex bolt, (1) 10mm Lock Washer and (1) 10mm Flat Washer. Snug but do not fully tighten Bracket hardware at this time.



STEP 2

Repeat the appropriate Step 1 for driver/left side Mounting Bracket installation.

STEP 3

Position the splash guard back up to the vehicle and temporarily attach with the factory hardware. Trace the location of the Mounting Brackets onto the back of the splash guard, (Fig 6). Remove the splash guard and move it to a clean stable work surface. Carefully cut openings in the splash guard to clear the Frame Brackets.

NOTE: To maintain the integrity of the plastic Splash Guard, remove only material necessary to clear the Brackets. Make small cuts and check the fit often before final installation.



STEP 4

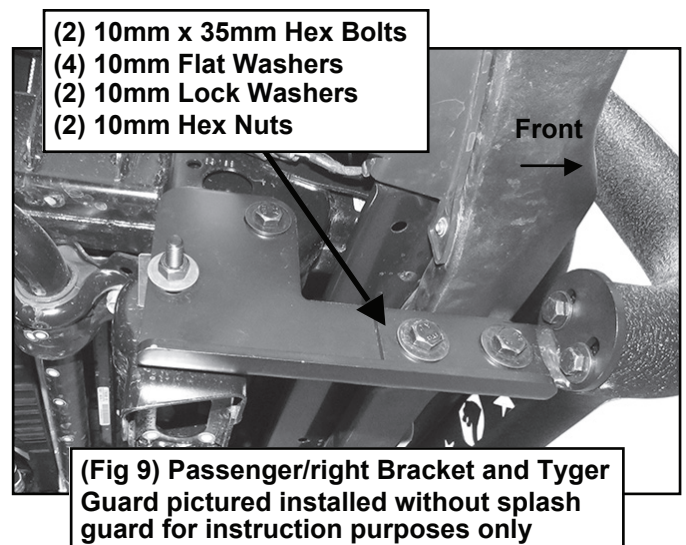
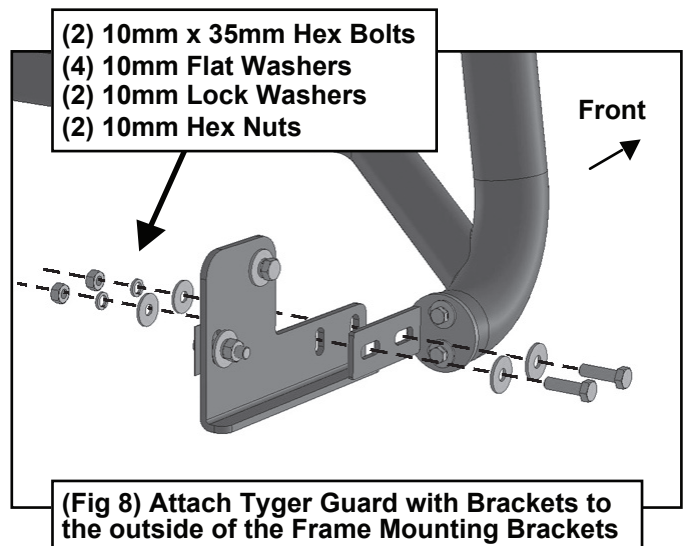
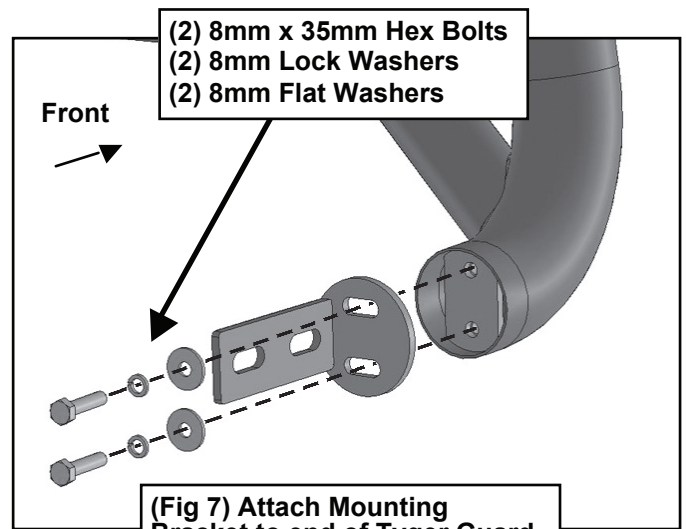
Reinstall the steel bracket, (if removed-see Fig 1), and splash guard.

STEP 5

Next, select (1) Mounting Bracket, (Fig 7). Attach the Bracket to the end of the tube on the Tyger Guard with the included (2) 8mm x 35mm Hex Bolts, (2) 8mm Lock Washers and (2) 8mm Flat Washers, (Fig 7). Do not fully tighten hardware at this time. Repeat this Step to attach the driver/left Tube Mounting Bracket.

STEP 6

With assistance, line up the Brackets on the Tyger Guard with the outside of the Frame Brackets. Attach the Tube Brackets to the Frame Brackets with the included (4) 10mm x 35mm Hex Bolts, (8) 10mm Flat Washers, (4) 10mm Lock Washers and (4) 10mm Hex Nuts, (Figs 8-9). Snug but do not tighten hardware at this time.





TYGER[®]

STEP 7

Level and adjust the Tyger Guard and tighten all hardware.

STEP 8

Use the included (2) 6mm x 20mm Combo Bolts to attach the license plate to the Tyger Guard.

STEP 9

Do periodic inspections to the installation to make sure is secure and tight.



Learn more about grille guards on our website.