



TYGER[®]

TYGER GUARD™

BEFORE INSTALLATION

READ INSTRUCTIONS CAREFULLY BEFORE STARTING INSTALLATION. REMOVE CONTENTS FROM BOX AND VERIFY ALL PARTS ARE PRESENT. INSTALLATION MAY INTERFERE WITH FRONT MOUNTED SENSORS. ASSISTANCE IS RECOMMENDED. FAILURE TO IDENTIFY DAMAGE BEFORE INSTALLATION COULD LEAD TO A REJECTION OF ANY CLAIM. IF ANY DAMAGE FOUND, PLEASE TAKE A PICTURE FOR THE CLAIM PURPOSE.

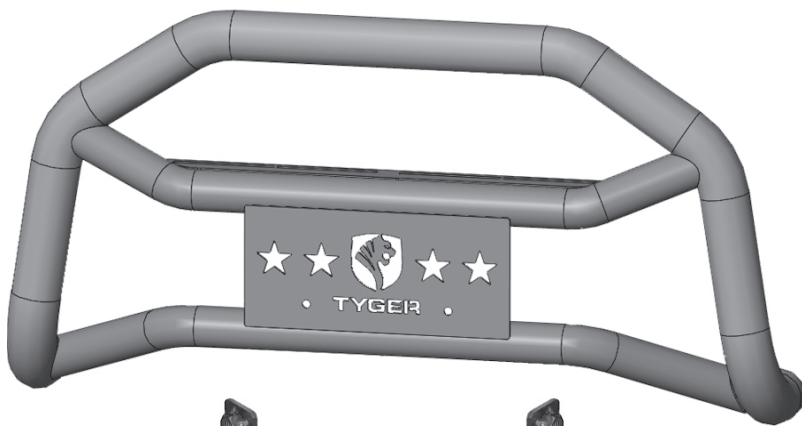
WARNING

TEXTURED COATED FINISHES SHOULD BE CLEANED WITH A MILD SOAP ON A DAMP SPONGE. DO NOT APPLY POLISH OR WAX THAT REQUIRES TO BE REMOVED BY MEANS OF BUFFING. THIS TYPE OF WAX IS COMMONLY USED AT CAR WASH FACILITIES.

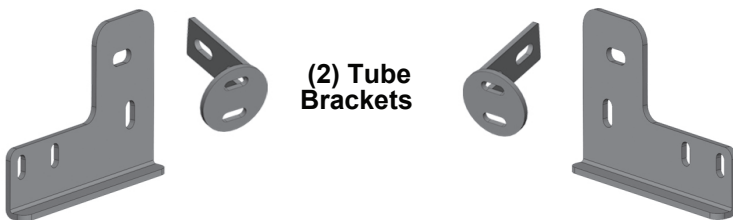
TG-GD6J60018

Parts List

- x1** Tyger Guard
- x2** Tube Brackets
- x1** Driver/Left Side Frame Mounting Bracket
- x1** Passenger/Right Side Frame Mounting Bracket
- x2** 12mm Double Nut Plates
- x4** 12-1.75mm x 30mm Hex Bolts
- x4** 12mm x 37mm OD x 3mm Flat Washers
- x4** 12mm Lock Washers
- x4** 8-1.25mm x 35mm Hex Bolts
- x4** 8mm Lock Washers
- x4** 8mm x 24mm x 2mm Flat Washers
- x4** 10-1.5mm x 35mm Hex Bolts
- x8** 10mm x 27mm OD x 3mm Flat Washers
- x4** 10-1.5mm Nylon Lock Nuts
- x2** 6mm Combo Bolts
- x1** 4mm Allen Wrench



(2) 12mm Double Nut Plates



(2) Tube Brackets

Passenger/Right Mounting Bracket

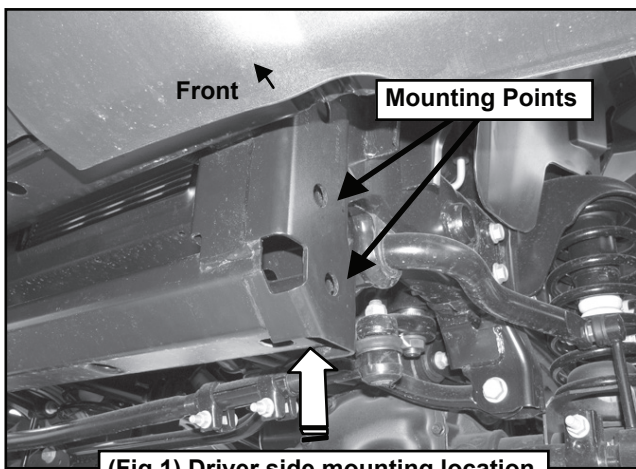
Driver/Left Mounting Bracket



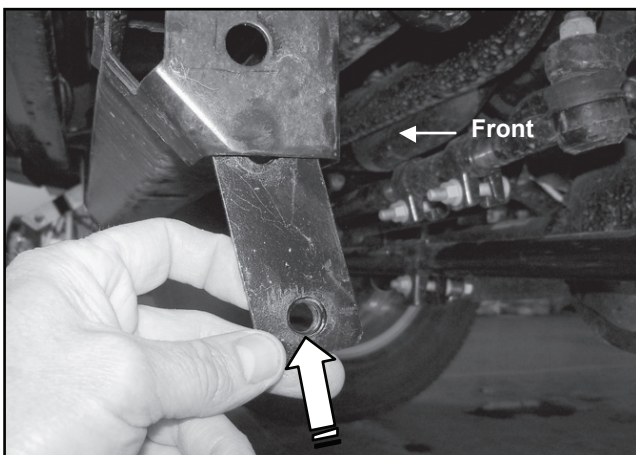
TYGER[®]

STEP 1

Remove the plastic splash guard from under the front bumper and place it on a clean work surface. Starting on the driver side, (Fig 1), insert (1) 12mm Double Nut Plate, in through the bottom opening in the end of the frame cross-member, (Fig 2). Line up the lower hole in the Nut Plate with the lower hole in the frame.



(Fig 1) Driver side mounting location with plastic splash guard removed



(Fig 2) Insert the 12mm Double Nut Plate into the opening in the bottom of the end of the cross-member

STEP 2

Select the driver side Mounting Bracket. Attach the Bracket to the (1) 12mm Double Nut Plate with (2) 12mm Hex Bolts, (2) 12mm Lock Washers and (2) 12mm Flat Washers, (Figs 3-4). Snug but do not tighten hardware. Repeat Steps 1-2 for passenger side Mounting Bracket installation.

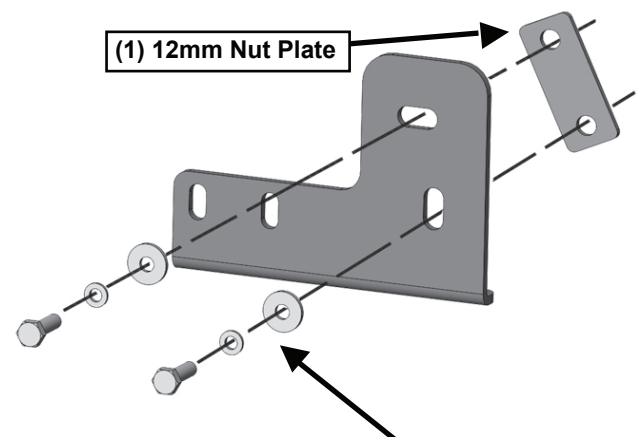
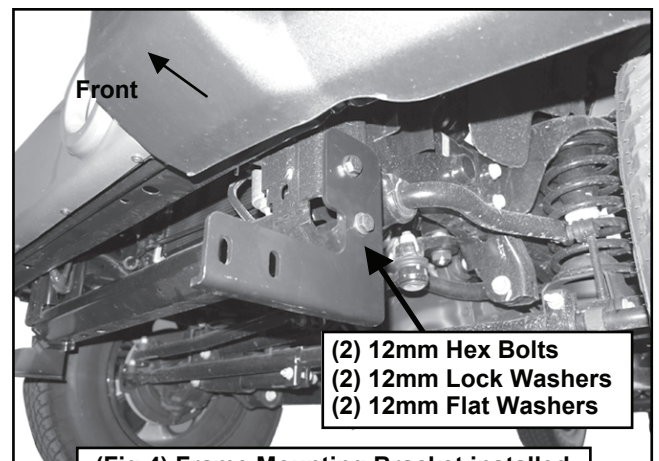


Fig 3

(2) 12mm Hex Bolts
(2) 12mm Lock Washers
(2) 12mm Flat Washers



(Fig 4) Frame Mounting Bracket installed



TYGER[®]

STEP 3

Place the Tyger Guard on a clean, stable work surface. Select the driver side Tyger Guard Tube Bracket. Bolt the Bracket to the end of the Tyger Guard with (2) 8mm Hex Bolts, (2) 8mm Lock Washers and (2) 8mm Flat Washers, (Fig 5). Snug but do not tighten hardware at this time. Repeat this Step to install passenger side Bracket.

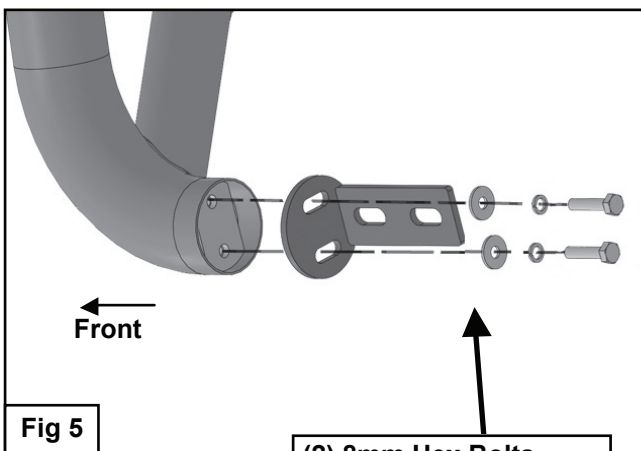


Fig 5

(2) 8mm Hex Bolts
(2) 8mm Lock Washers
(2) 8mm Flat Washers

STEP 4

With assistance, hold the Tyger Guard with Brackets up in position on the inside of the Frame Mounting Brackets. Attach the Tyger Guard to the Brackets with (4) 10mm Hex Bolts, (8) 10mm Flat Washers and (4) 10mm Nylon Lock Nuts, (Figs 6-7). Snug but do not tighten hardware at this time.

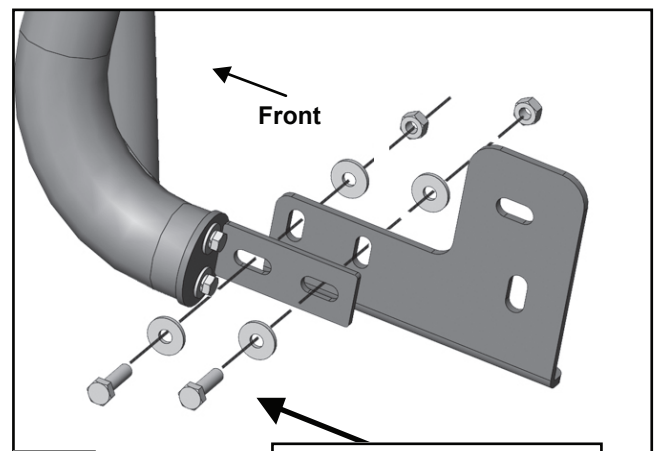
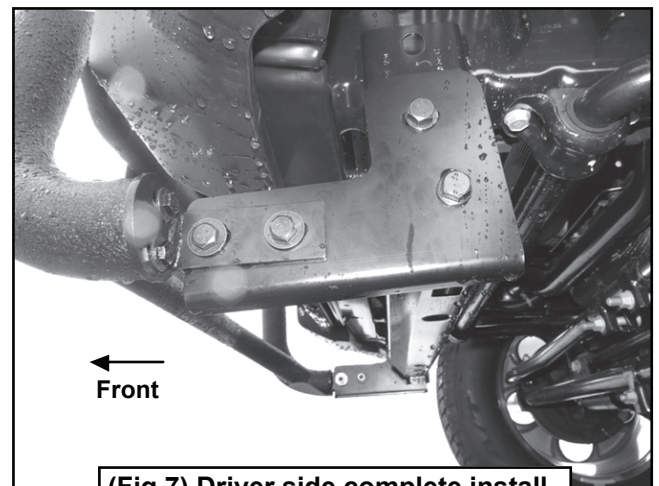


Fig 6

(2) 10mm Hex Bolts
(2) 10mm Flat Washers
(2) 10mm Nylon Lock Nuts



(Fig 7) Driver side complete install



TYGER[®]

STEP 5

Align the Tyger Guard properly and fully tighten the Bracket hardware securing the Brackets to the frame only. Temporarily remove the Tyger Guard.

STEP 6

Position the splash guard back up to the vehicle and attach with the factory hardware. Trace the location of the Mounting Brackets onto the splash guard, (Fig 8).

NOTE: Remove only material necessary to clear the Tyger Guard and Brackets. Make small cuts and check the fit often before final installation, (Fig 9). Reinstall the splash guard with factory hardware.

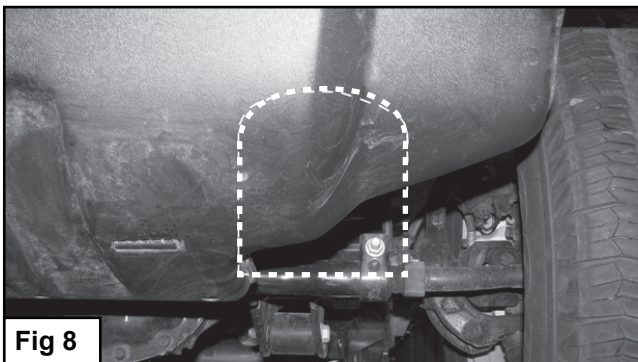


Fig 8

Cut two openings to clear the Mounting Brackets, Tube Brackets and Tyger Guard

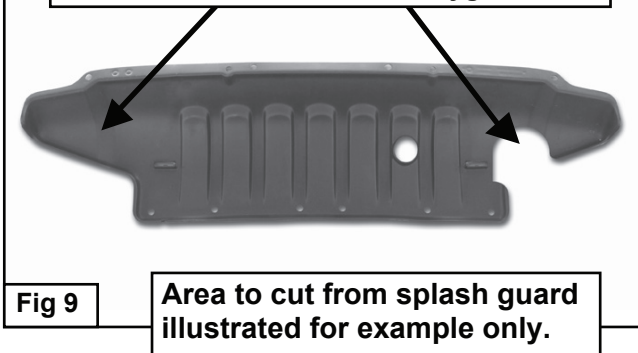


Fig 9

Area to cut from splash guard illustrated for example only.

STEP 7

Reinstall the Tyger Guard and tighten all hardware.

STEP 8

Do periodic inspections of the installation to make sure that all hardware is secure and tight.



Complete Installation