



TYGER®

TYGER GUARD

TG-GD6F60478

BEFORE INSTALLATION

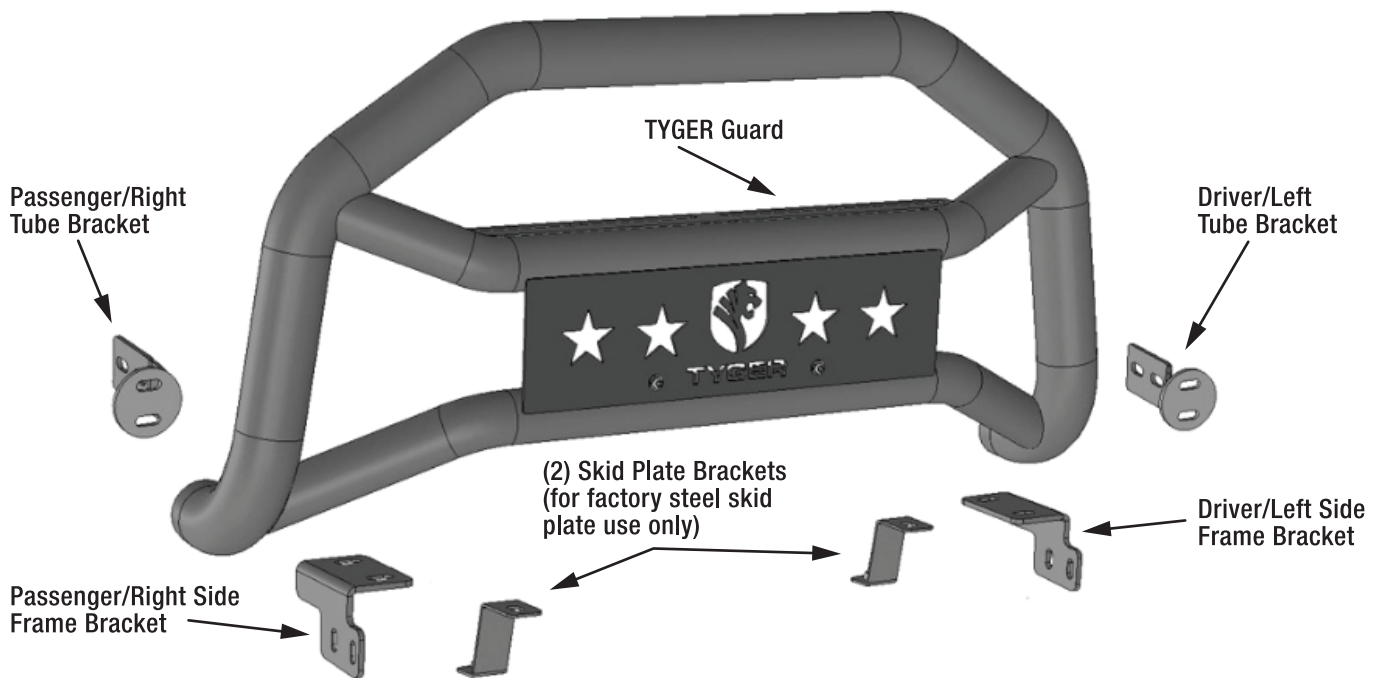
READ INSTRUCTIONS CAREFULLY BEFORE STARTING INSTALLATION. REMOVE CONTENTS FROM BOX AND VERIFY ALL PARTS ARE PRESENT. FAILURE TO IDENTIFY DAMAGE BEFORE INSTALLATION COULD LEAD TO A REJECTION OF ANY CLAIM. IF MISSING PARTS OR ANY DAMAGE FOUND, PLEASE TAKE A PICTURE FOR THE CLAIM PURPOSE.

TORQUE VALUES

Fastener Size	Class 8.8 Torque (ft-lbs)	Class 10.9 Torque (ft-lbs)
6mm	6-7	6-7
8mm	15-16	22-23
10mm	31-32	44-45
12mm	54-55	78-79
14mm	87-88	125-126

Parts List

- x1 Tyger Guard
- x1 Driver/Left Frame Bracket
- x1 Passenger/Right Frame Bracket
- x1 Driver/Left Tube Bracket
- x1 Passenger/Right Tube Bracket
- x2 Skid Plate Mounting Brackets
- x4 12-1.75mm x 45mm Hex Bolts
- x4 12mm x 37mm OD x 3.5mm Flat Washers
- x4 12mm Lock Washers
- x4 10-1.5mm x 30mm Hex Bolts
- x8 10mm x 27mm OD x 3 mm Flat Washers
- x4 10-1.5mm Nylon Lock Nuts
- x4 8-1.25mm x 35mm Hex Bolts
- x4 8mm x 22mm OD x 2mm Flat Washers
- x4 8mm Lock Washers
- x2 6-1.0mm x 20mm Combo Bolts (license plate)
- x1 4mm Wrench





PROCEDURE:

REMOVE CONTENTS FROM BOX AND VERIFY ALL PARTS ARE PRESENT. READ INSTRUCTIONS CAREFULLY. CUTTING MAY BE REQUIRED. INSTALLATION MAY INTERFERE WITH FRONT MOUNTED SENSORS.

STEP 1

Start installation from under the front of the vehicle.

STEP 2

Determine if the vehicle is equipped with tow hooks.

IMPORTANT: Tow hooks cannot be reinstalled with the Tyger Guard.

Tow Hook equipped vehicles:

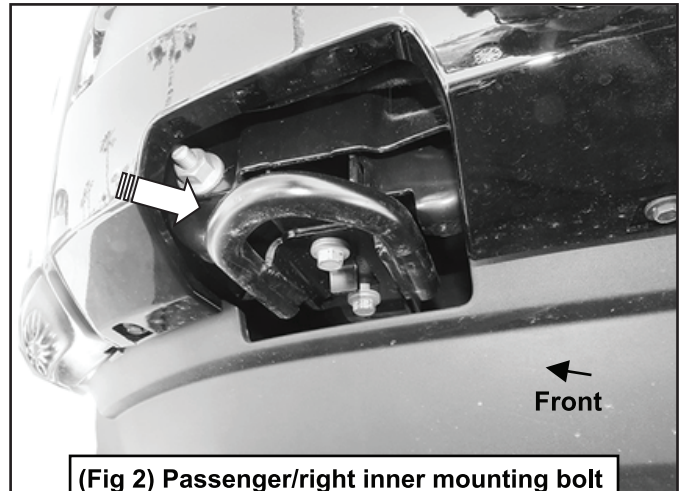
a. Remove the plastic cover attached to the tow hook, (Figure 1). Next, remove the tow hook from the bottom of the frame, (Figures 2—4). On models with steel skid plate, temporarily remove skid plate, (Figure 3).

b. Proceed to Step 3.

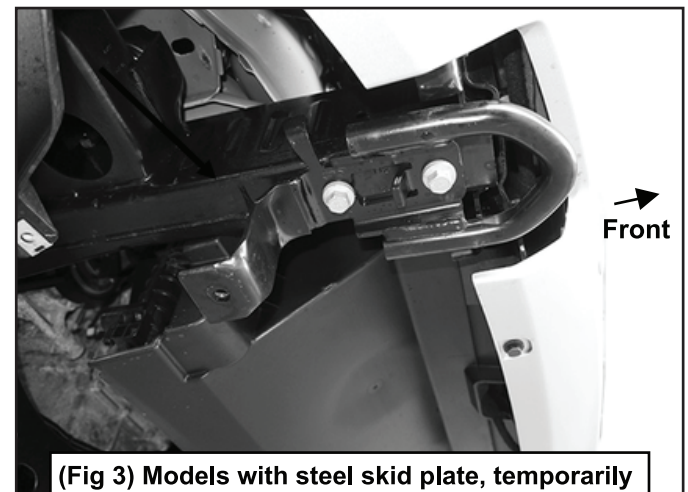
Passenger/Right Side Installation Pictured



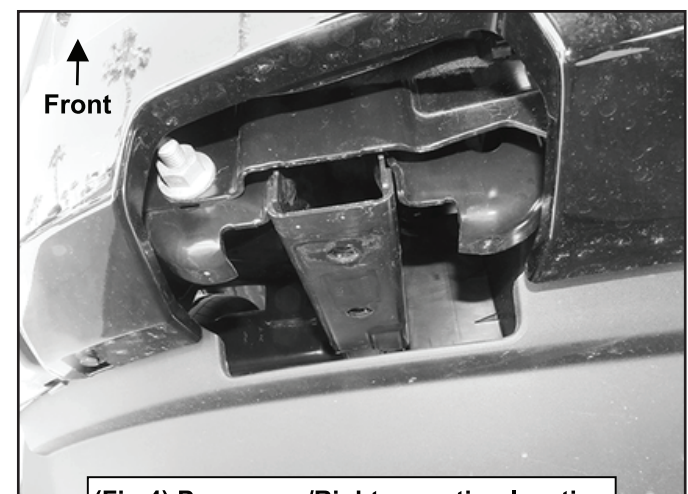
(Fig 1) Example of Tow hook



(Fig 2) Passenger/right inner mounting bolt for tow hook pictured from behind bumper



(Fig 3) Models with steel skid plate, temporarily remove skid plate to access tow hooks



(Fig 4) Passenger/Right mounting location



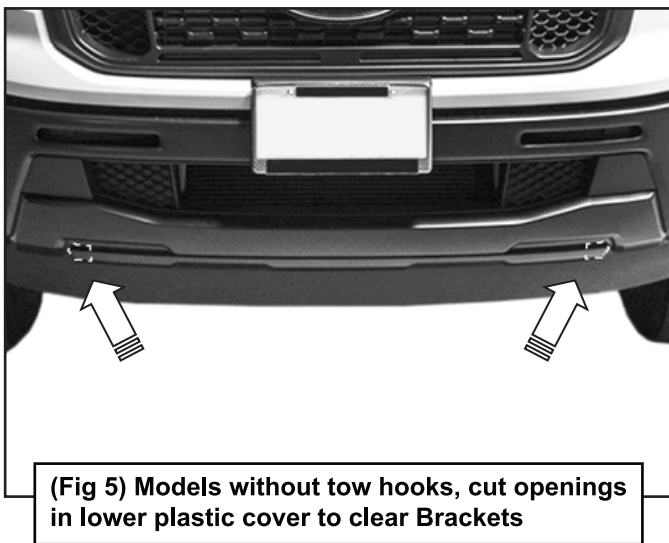
Vehicles without tow hooks:

a. Cut out the lower section of the indented area in both sides of the plastic bumper insert to clear the Brackets as pictured, (Figure 5).

NOTE: Hold the Frame Mounting Bracket up to the back of the bumper to determine area to remove to clear Bracket.

IMPORTANT: Make several small cuts for best fit.

Passenger/Right Side Installation Pictured



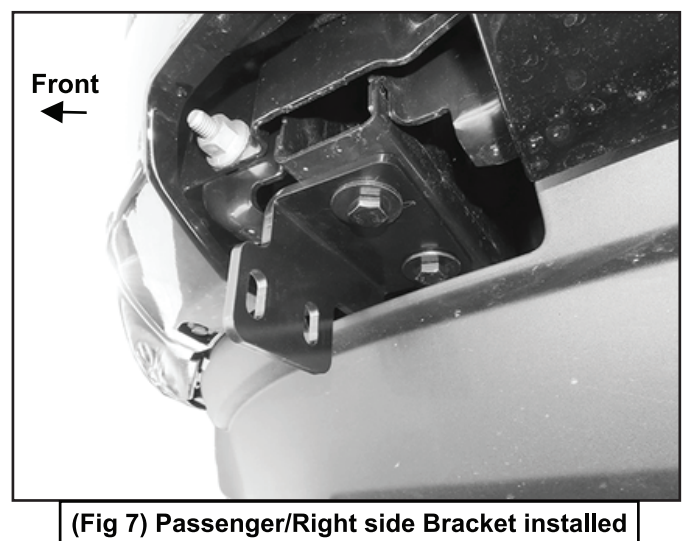
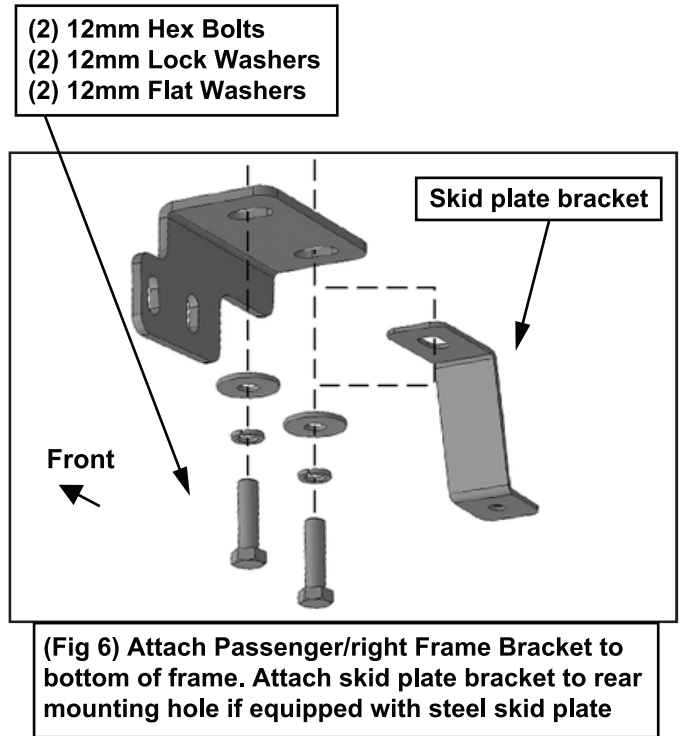
b. Insert the Mounting Brackets through the openings in the bumper to check for clearance. Trim the plastic as required to clear the Brackets.

STEP 3

3. Select the passenger/right Frame Mounting Bracket, (Figure 6). Hold the Bracket up to the bottom of the frame. Line up the holes in the Bracket with the (2) mounting bolt holes for the tow hook. Attach the Bracket to the threaded holes in the frame with (2) 12mm x 45mm Hex bolts, (2) 12mm Lock Washers and (2) 12mm Flat Washers, (Figures 6 & 7).

IMPORTANT: Models with steel skid plate, attach (1) Skid Plate Bracket to the rear mounting Bolt, (Figure 6). Leave hardware loose. Repeat this Step to attach the driver/left Frame Bracket.

Passenger/Right Side Installation Pictured

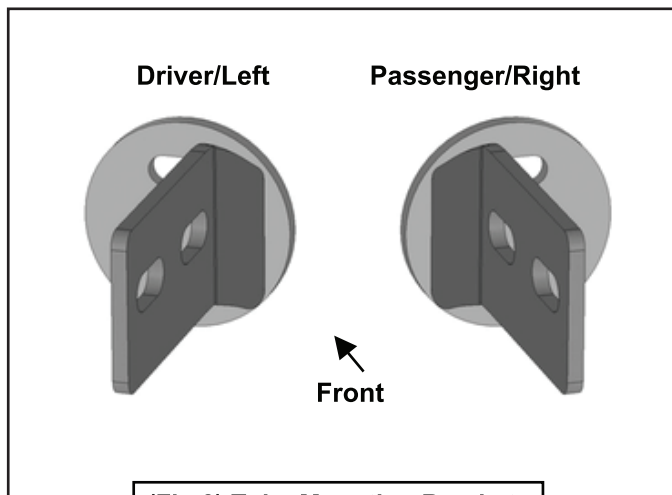




STEP 4

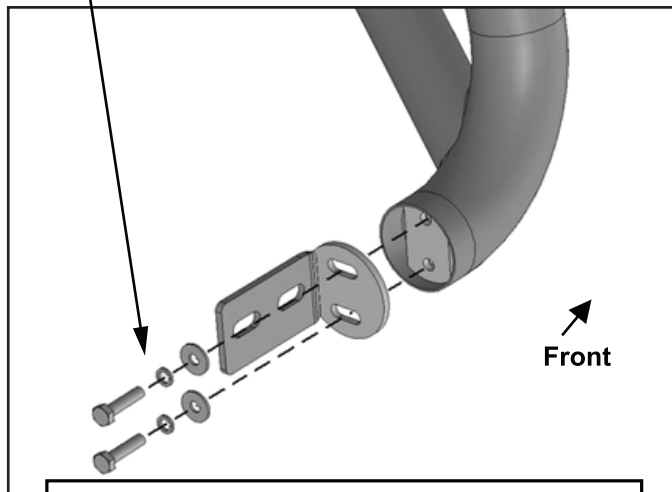
Next, select the passenger/right Tube Bracket, (Figure 8). Attach the Tube Bracket to the end of the Tyger Guard with the included (2) 8mm x 35mm Hex Bolts, (2) 8mm Lock Washers and (2) 8mm Flat Washers, (Figure 9). Center the flange on the Bracket with the tube and snug but do not fully tighten hardware. Repeat this Step to attach the driver/left Tube Bracket

Passenger/Right Side Installation Pictured



(Fig 8) Tube Mounting Brackets

- (2) 8mm Hex Bolts
- (2) 8mm Lock Washers
- (2) 8mm Flat Washers



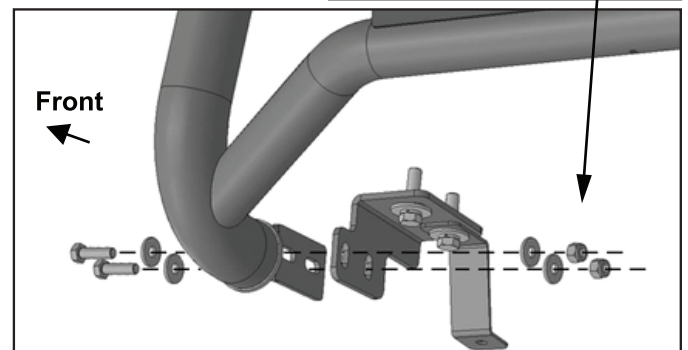
(Fig 9) Passenger/right side Bracket installed

STEP 5

With assistance, hold the Tyger Guard up in position on the outside of the Mounting Brackets. Attach the Tyger Guard to the Brackets with (4) 10mm x 35mm Hex Bolts, (8) 10mm Flat Washers and (4) 10mm Nylon Lock Nuts, (Figure 10 & 11). Do not tighten hardware at this time.

Passenger/Right Side Installation Pictured

- (2) 10mm Hex Bolts
- (4) 10mm Flat Washers
- (2) 10mm Nylon Lock Nuts



(Fig 10) Attach Tyger Guard to outside of Brackets. Passenger/right side complete installation

- (2) 10mm Hex Bolts
- (4) 10mm Flat Washers
- (2) 10mm Nylon Lock Nuts



(Fig 11) Passenger/right side complete installation



TYGER[®]

STEP 6

Check the Tyger Guard alignment with the vehicle and for clearance between the Tyger Guard and the bumper. Adjust as required then fully tighten all hardware at this time.

STEP 7

Attach the license plate, (if required), to the threaded holes in the front of the Tyger Guard with the included (2) 6mm Combo Bolts.

STEP 8

Do periodic inspections to the installation to make sure that all hardware is secure and tight.



Complete Installation