



# TYGER<sup>®</sup>

## TYGER GUARD<sup>™</sup>

TG-GD6F60238

### BEFORE INSTALLATION

READ INSTRUCTIONS CAREFULLY BEFORE STARTING INSTALLATION. REMOVE CONTENTS FROM BOX AND VERIFY ALL PARTS ARE PRESENT. ASSISTANCE IS RECOMMENDED. FAILURE TO IDENTIFY DAMAGE BEFORE INSTALLATION COULD LEAD TO A REJECTION OF ANY CLAIM. IF ANY DAMAGE FOUND, PLEASE TAKE A PICTURE FOR THE CLAIM PURPOSE.

### WARNING

TEXTURED COATED FINISHES SHOULD BE CLEANED WITH A MILD SOAP ON A DAMP SPONGE. DO NOT APPLY POLISH OR WAX THAT REQUIRES TO BE REMOVED BY MEANS OF BUFFING. THIS TYPE OF WAX IS COMMONLY USED AT CAR WASH FACILITIES.

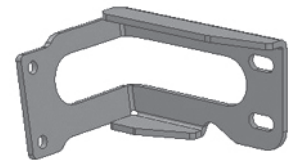
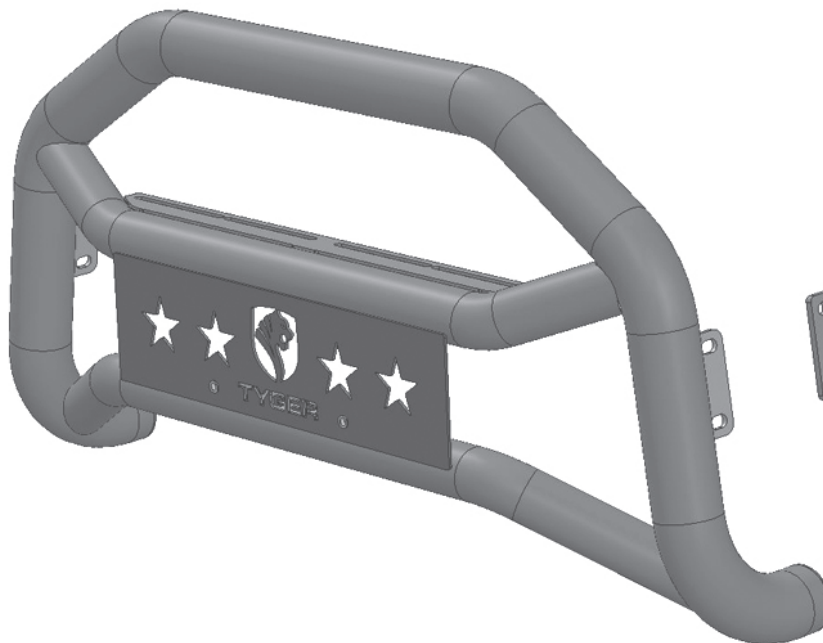
### Parts List

- x1 Tyger Guard
- x1 Driver/Left Side Frame Mounting Bracket
- x1 Passenger/Right Side Frame Mounting Bracket
- x4 10-1.50mm x 35mm Hex Bolts
- x8 10mm x 27mm x 3mm Flat Washers
- x4 10mm Nylon Lock Nuts
- x2 6mm Combo Bolts
- x1 4mm Wrench (6mm)

**NOTE:** Installation may interfere with front mounted sensors. Assistance is recommended.



Passenger/Left Side Mounting Bracket



Driver/Right Side Mounting Bracket



# TYGER<sup>®</sup>

## STEP 1

Start installation at the driver side, front of the vehicle. Remove the (2) driver side bumper bolts, (Fig 1).

### WARNING!

Do not loosen or remove the passenger and driver side bumper mounting bolts at the same time or bumper may move out of alignment or fall off of the vehicle. Only remove the bumper bolts from one side and install one Mounting Bracket at a time.

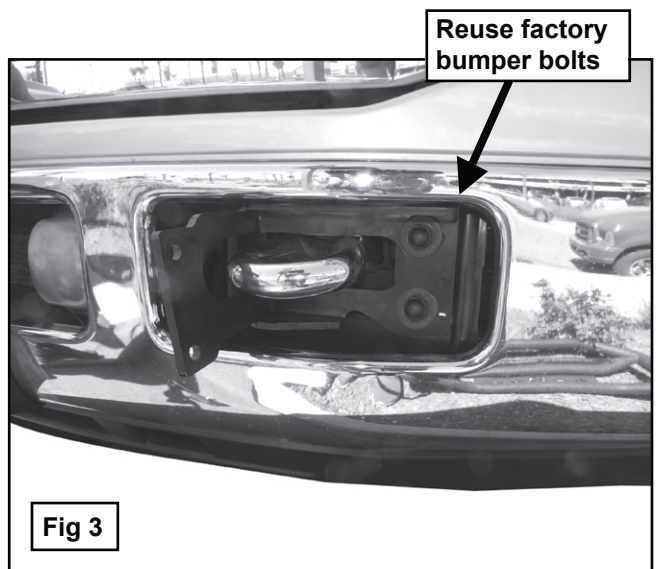
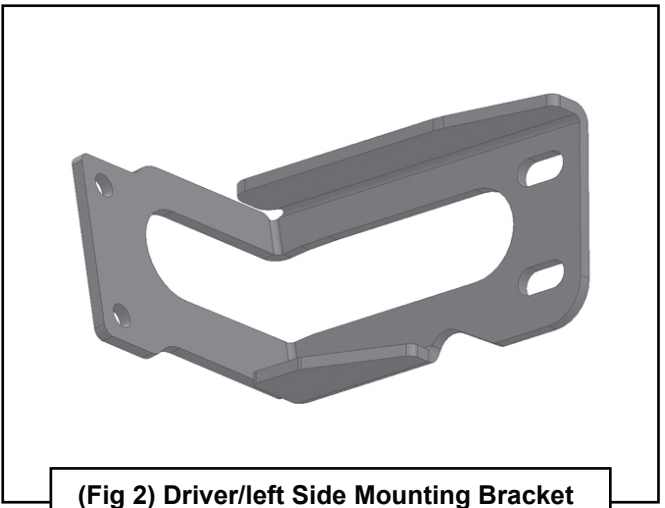
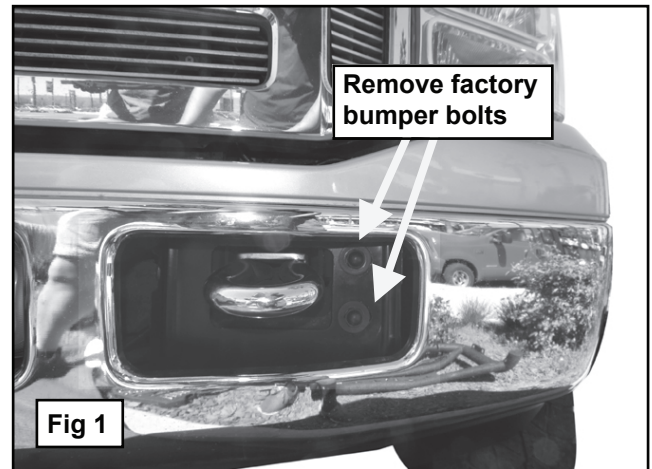
## STEP 2

Place the driver side Mounting Bracket onto the vehicle, (Fig 2), and line up the (2) slots with the (2) holes for the bumper bolts. Insert the factory bumper bolts through the Bracket and bumper, (Fig 3).

**NOTE:** Leave a minimum 1/8" clearance between the top or bottom of the Bracket and the bumper. Fully tighten the bumper bolts at this time.

## STEP 3

Repeat Steps 1-2 for passenger side Mounting Bracket installation.





# TYGER<sup>®</sup>

## STEP 4

With assistance, position the Tyger Guard onto the outside of the (2) Mounting Brackets.

**NOTE:** Move the Mounting Brackets in or out as required to line up with the mounting tabs on the Tyger Guard.

## STEP 5

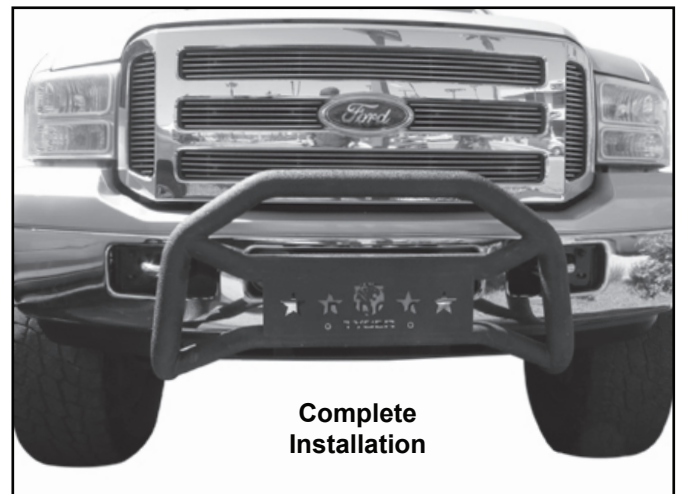
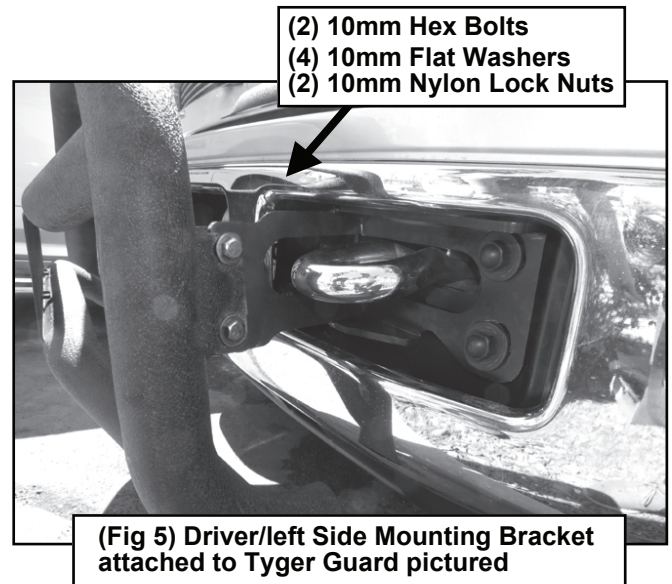
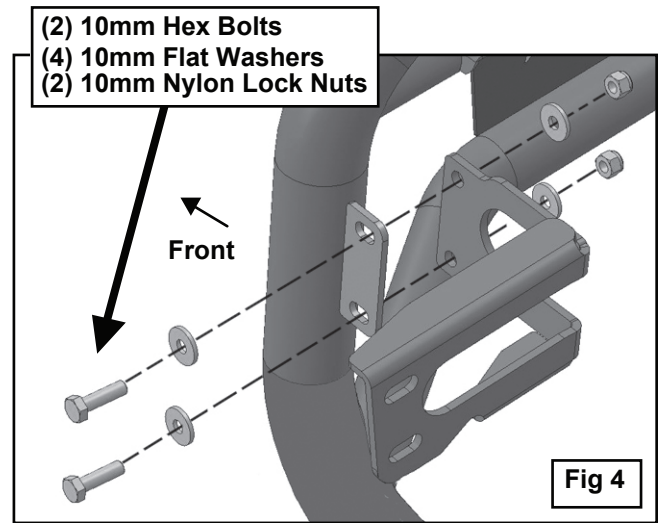
Attach the Tyger Guard to the outside of the Mounting Brackets using the included (4) 10mm Hex Bolts, (8) 10mm Flat Washers & (4) 10mm Nylon Lock Nuts, (Figs 4-5). Snug but do not tighten.

## STEP 6

Center the Tyger Guard on the vehicle, level and adjust as desired and tighten all hardware at this time. Check front bumper alignment and readjust as necessary.

## STEP 7

Do periodic inspections to the installation to make sure that all hardware is secure and tight.



Learn more about grille guards and bull bars we have.