



# TYGER®

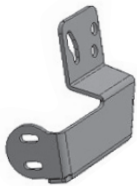
## TYGER GUARD™

### BEFORE INSTALLATION

READ INSTRUCTIONS CAREFULLY BEFORE STARTING INSTALLATION. REMOVE CONTENTS FROM BOX AND VERIFY ALL PARTS ARE PRESENT. ASSISTANCE IS RECOMMENDED. FAILURE TO IDENTIFY DAMAGE BEFORE INSTALLATION COULD LEAD TO A REJECTION OF ANY CLAIM. IF ANY DAMAGE FOUND, PLEASE TAKE A PICTURE FOR THE CLAIM PURPOSE.

### WARNING

TO PROTECT YOUR INVESTMENT, WAX THIS PRODUCT AFTER INSTALLING. REGULAR WAXING IS RECOMMENDED TO ADD A PROTECTIVE LAYER OVER THE FINISH. DO NOT USE ANY TYPE OF POLISH OR WAX THAT MAY CONTAIN ABRA-SIVES THAT COULD DAMAGE THE FINISH. USE ONLY MILD SOAP TO CLEAN THE PRODUCT.



Passenger/right Side  
Mounting Bracket



Driver/left Side  
Mounting Bracket

**TG-GD6D60318**

NOTE: Cutting is required. Assistance is recommended.

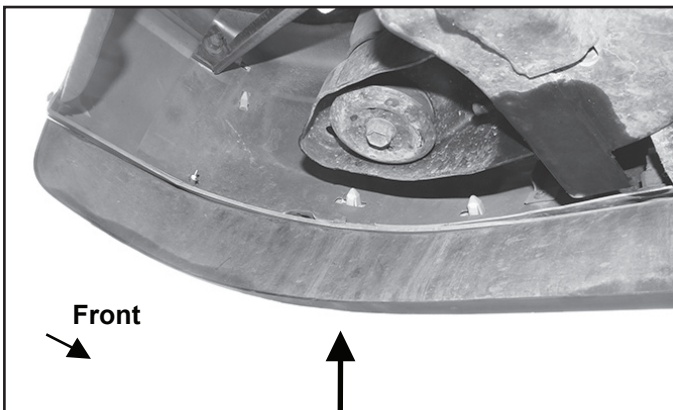
### Parts List

- x1 Tyger Guard
- x1 Driver/left Frame Mounting Bracket
- x1 Passenger/right Frame Mounting Bracket
- x2 12-1.75mm x 100mm Hex Bolts
- x4 12-1.75mm x 30mm Hex Bolts
- x12 12mm x 37mm OD x 3mm Flat Washers
- x6 12mm Lock Washers
- x6 12-1.75mm Hex Nuts
- x4 8-1.25mm x 35 Hex Bolts
- x4 8mm x 22mm x 2mm Flat Washers
- x4 8mm Lock Washers
- x2 6mm x 20mm Combo Bolts
- x1 4mm Wrench



## STEP 1

Remove the license plate and bracket if equipped. Remove the plastic spoiler from the bottom of the bumper and move it to a clean stable work area, (Fig 1). Pay close attention to the type and location of all factory hardware for reinstallation

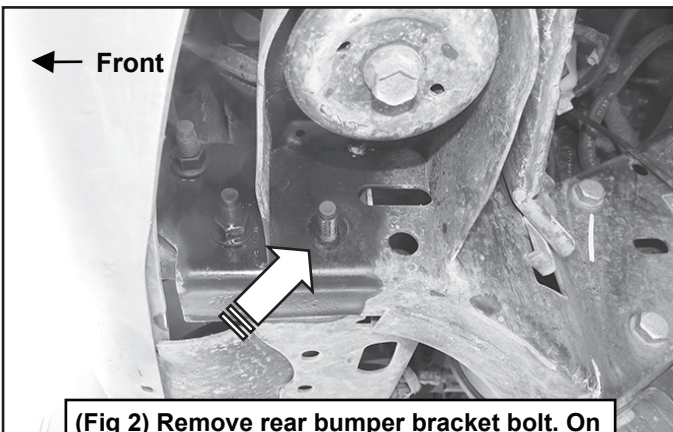


(Fig 1) Remove plastic spoiler from bottom of bumper

## STEP 2

Starting under the driver/left side of the front bumper, locate the mounting holes on the outside of the frame, directly below the body mount for the bumper bracket. Remove the (1) bumper bracket bolt plate and nut located below the body mount, (Fig 2).

**NOTE:** Remove factory tow hook if equipped. Tow hooks cannot be reinstalled.



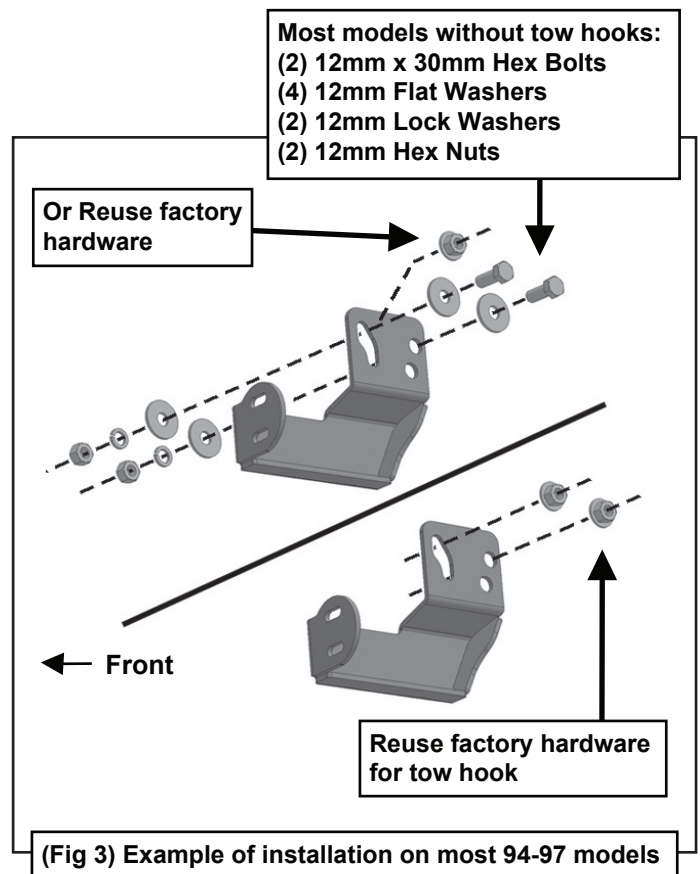
(Fig 2) Remove rear bumper bracket bolt. On models with tow hooks, remove tow hooks.

## STEP 3

Determine the correct procedure to attach the Mounting Bracket to the outside of the frame.

*Most 94-97 models:*

- Line up the slot in the Bracket with the forward hole for the bumper bracket bolt. Rear holes in frame should line up with the upper mounting hole in the Bracket, (Fig 3).
- Attach the Bracket to the side of the frame with the factory bumper bracket and tow hook hardware, (if equipped), or use the included (2) 12mm x 30mm Hex Bolts, (4) 12mm Flat Washers, (2) 12mm Lock Washers and (2) 12mm Hex Nuts as needed, (Fig 3). Snug but do not tighten hardware at this time.

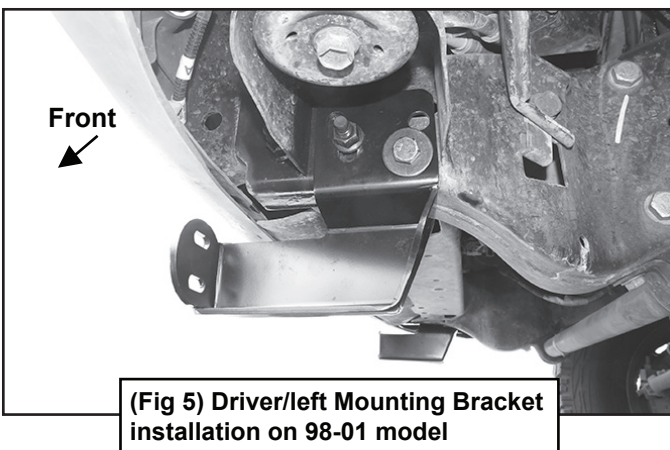
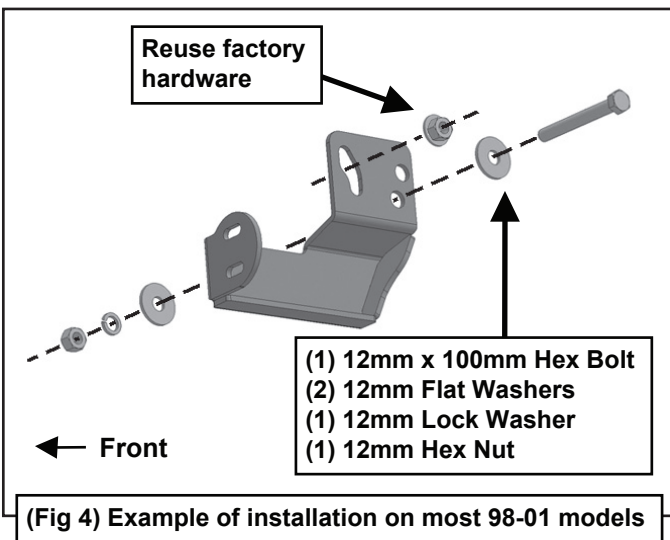


(Fig 3) Example of installation on most 94-97 models



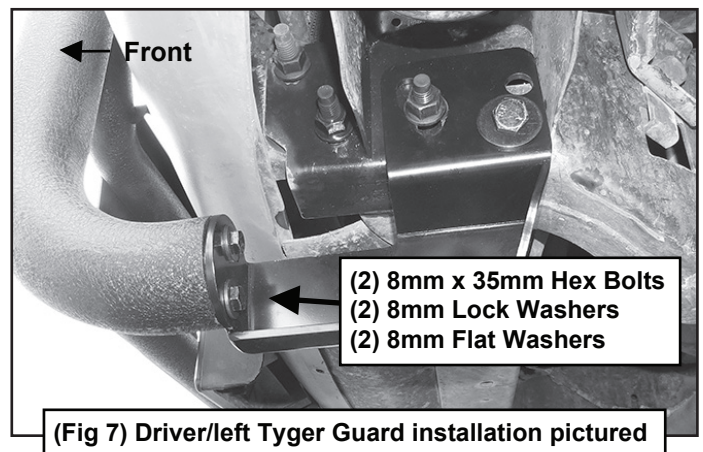
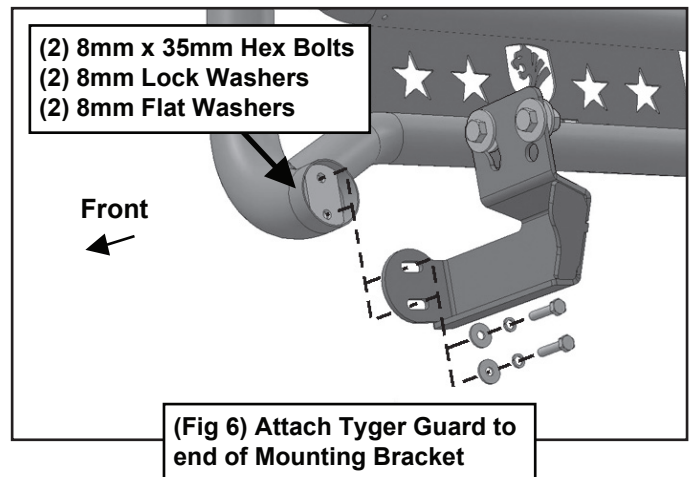
### Typical 1998-newer models:

- a. Line up the slot in the Bracket with the forward hole for the bumper bracket bolt. Rear holes in frame should line up with the lower mounting hole in the Bracket, (Fig 4).
- b. Attach the long slot in the Bracket to the side of the frame with the factory bumper bracket and/or tow hook hardware, if equipped, (Figs 4-5).
- c. Insert (1) 12mm x 100mm Hex Bolt, (2) 12mm Flat Washers, (1) 12mm Lock Washer and (1) 12mm Hex Nut through the rear/lower mounting hole in the Bracket and through the frame channel, (Figs 4-5). Snug but do not tighten hardware at this time.



## STEP 5

With assistance, position the Tyger Guard up to the Mounting Brackets. Use the included (4) 8mm x 35mm Hex Bolts, (4) 8mm Lock Washers and (4) 8mm Flat Washers, (Figs 6-7). Snug but do not tighten hardware.



## STEP 6

Stand back from the vehicle and check to see that the Tyger Guard is centered and level on the vehicle and adjust as necessary.

**IMPORTANT:** Once properly aligned, tighten only the hardware securing the Mounting Brackets to the frame only. Do not tighten the hardware attaching the Tyger Guard to the Brackets. Temporarily remove the Tyger Guard.

## STEP 4

Repeat Steps 2-3 for passenger/right side Mounting Bracket installation.



# TYGER<sup>®</sup>

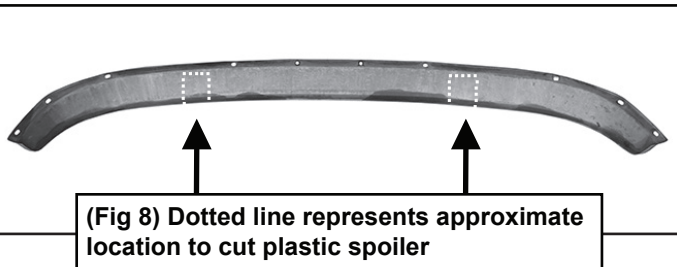
## STEP 7

Measure from the bottom of the factory bumper to the top of the brackets.

## STEP 8

Hold the spoiler up in place between the brackets and the bottom of the bumper. Line up the mounting holes on the spoiler with the bumper. Mark the location of the brackets onto the back of the spoiler, (Fig 8).

**Illustrations provided for example only. It is the installer's responsibility to determine exact cuts/modifications to the vehicle required for proper installation.**



## STEP 9

Cut slots out of the plastic spoiler to clear the brackets.

**NOTE:** Due to different factory designs for bumpers and spoilers, exact location to cut for clearance must be determined by the installer. To maintain the integrity of the spoiler, do not cut the slots any larger than absolutely necessary. Do not cut through the top of the spoiler, between the brackets and the bottom of the bumper. It is recommended to make several small cuts and check the fit often for a clean installation.

## STEP 10

Reinstall the spoiler. Reinstall the Tyger Guard. Level and adjust the Tyger Guard and tighten all hardware.

## STEP 11

Do periodic inspections to the installation to make sure that all hardware is secure and tight.

## STEP 12

If a front license plate is required, use the included (2) 6mm Combo Bolts to attach the license plate to the front of the Tyger Guard, (Fig 9).

