



TYGER®

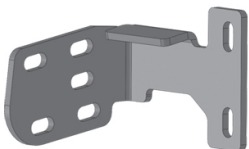
TYGER GUARD™

BEFORE INSTALLATION

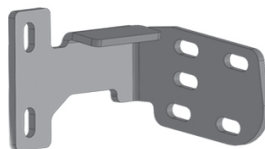
READ INSTRUCTIONS CAREFULLY BEFORE STARTING INSTALLATION. REMOVE CONTENTS FROM BOX AND VERIFY ALL PARTS ARE PRESENT. ASSISTANCE IS RECOMMENDED. FAILURE TO IDENTIFY DAMAGE BEFORE INSTALLATION COULD LEAD TO A REJECTION OF ANY CLAIM. IF ANY DAMAGE FOUND, PLEASE TAKE A PICTURE FOR THE CLAIM PURPOSE.

WARNING

TEXTURED COATED FINISHES SHOULD BE CLEANED WITH A MILD SOAP ON A DAMP SPONGE. DO NOT APPLY POLISH OR WAX THAT REQUIRES TO BE REMOVED BY MEANS OF BUFFING. THIS TYPE OF WAX IS COMMONLY USED AT CAR WASH FACILITIES.



**Passenger/left
Frame Mounting
Bracket**



**Driver/right
Frame Mounting
Bracket**

TG-GD6D60088

NOTE: Assistance is recommended. Cutting may be required. Factory tow hooks, (if equipped), cannot be reinstalled.

Parts List

- x1** Tyger Guard
- x1** Driver/Left Frame Mounting Bracket
- x1** Passenger/Right Frame Mounting Bracket
- x8** 10-1.50mm x 35mm Hex Bolts
- x16** 10mm x 27mm OD x 3mm Flat Washers
- x4** 10-1.50mm Nylon Lock Nuts
- x4** 10-1.50mm Hex Nuts
- x4** 10mm Lock Washers
- x1** 4mm Wrench
- x2** 6-1.00mm x 20mm Combo Bolts



TYGER[®]

STEP 1

Remove the tow hooks if equipped. On models without tow hooks, remove the plastic insert in the center of the bumper below the grill, (Fig 1).

Remove plastic cover to access mounting locations on models w/o tow hooks

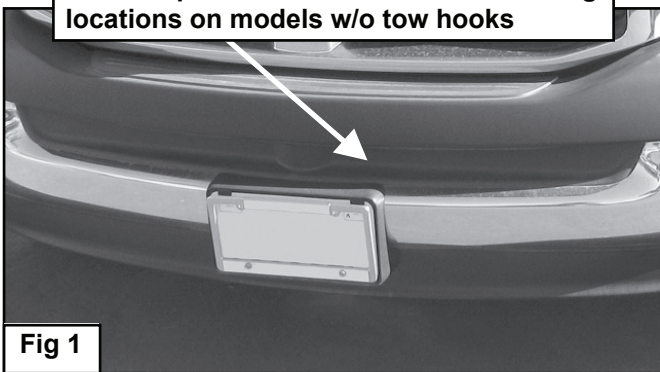


Fig 1

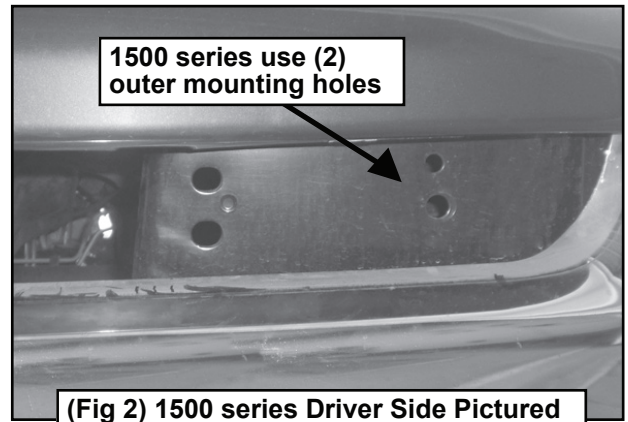
STEP 2

Determine the correct installation for your application.

1500 Models, (excludes 1500 Mega Cab):

- Select the driver side Frame Mounting Bracket. Line up the inner center and top mounting holes in the Bracket with the outer two mounting holes on the mounting plate on the end of the frame behind the bumper, (Fig 2). Bolt the Bracket to the frame with (2) 10mm x 35mm Hex Bolts, (4) 10mm Flat Washers, (2) 10mm Lock Washers and (2) 10mm Hex Nuts, (Figs 5-6).

NOTE: Access the back of the mounting location from behind the bumper bracket.



1500 series use (2) outer mounting holes

(Fig 2) 1500 series Driver Side Pictured

(2) 10mm Hex Bolts
(4) 10mm Flat Washers
(2) 10mm Lock Washers
(2) 10mm Hex Nuts

1500 series uses the inner top & inner center mounting holes

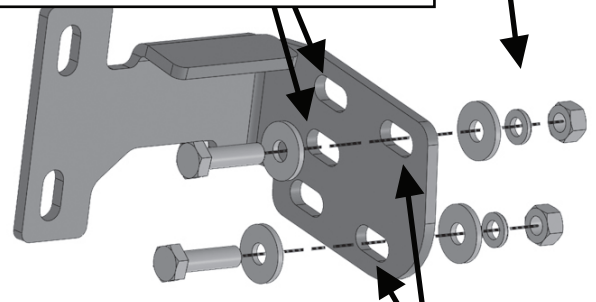
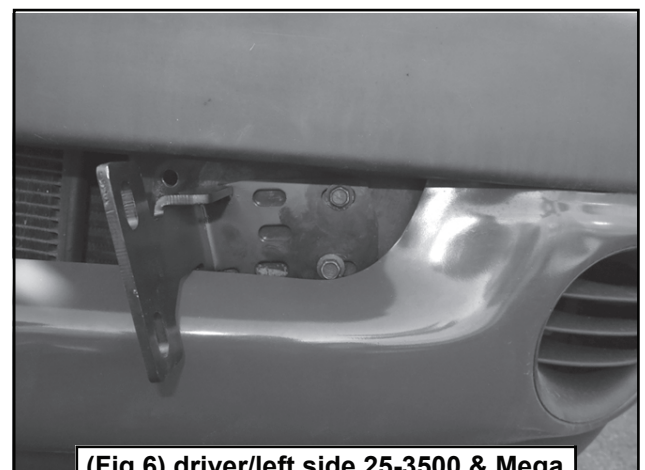


Fig 5

25-3500 & Mega Cab series uses the outer mounting holes



(Fig 6) driver/left side 25-3500 & Mega Cab bracket installation pictured



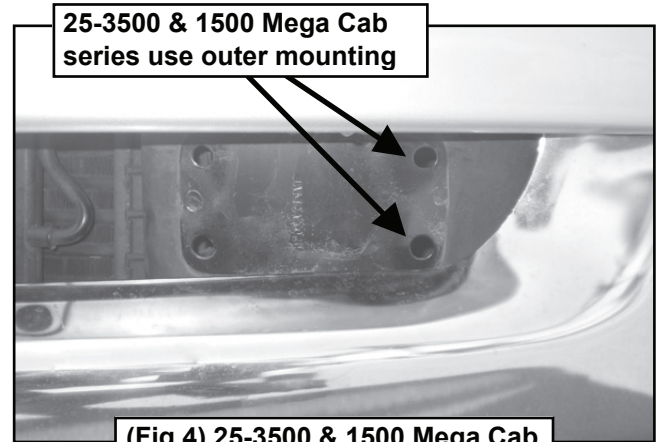
TYGER[®]

25-3500 Models, (including 1500 Mega Cab):

- Select the driver side Frame Bracket. Re-use the factory tow hook hardware, (Figs 3-4), or use the supplied 10mm hardware as previously described, to bolt the Bracket to the mounting plate. Use the (2) outer holes in the Frame Mounting Bracket and the outer tow hook holes in the mounting plate on the frame, (Figs 5-6).



(Fig 3) 25-3500 & 1500 Mega Cab series driver side pictured with tow hook



25-3500 & 1500 Mega Cab series use outer mounting

(Fig 4) 25-3500 & 1500 Mega Cab series driver side pictured

- (2) 10mm Hex Bolts
- (4) 10mm Flat Washers
- (2) 10mm Lock Washers
- (2) 10mm Hex Nuts

1500 series uses the inner top & inner center mounting holes

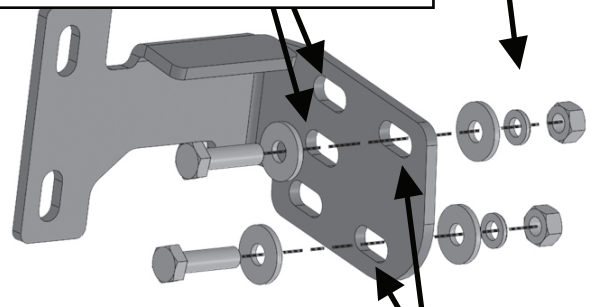
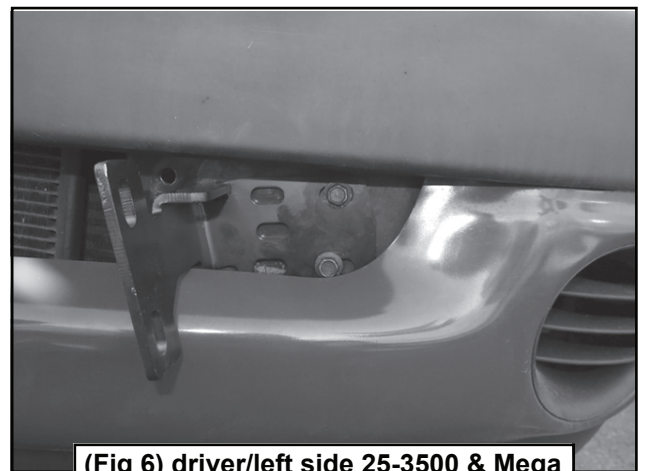


Fig 5

25-3500 & Mega Cab series uses the outer mounting holes



(Fig 6) driver/left side 25-3500 & Mega Cab bracket installation pictured

STEP 3

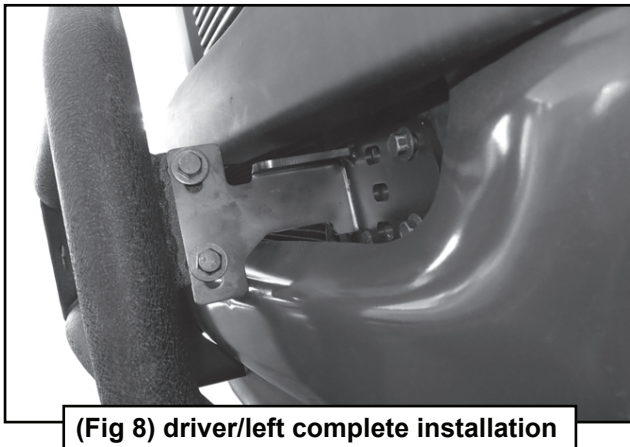
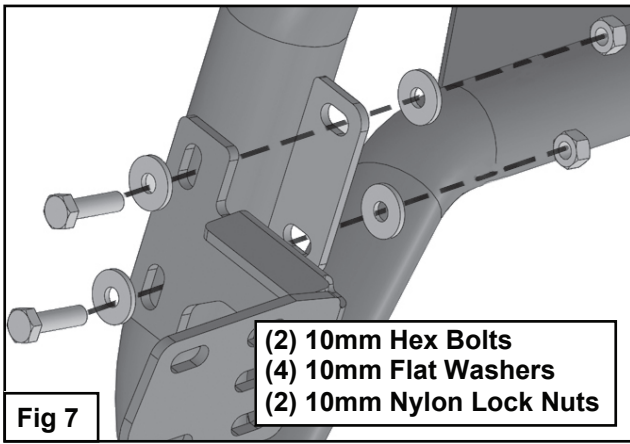
Repeat Step 2 to install the passenger side Frame Mounting Bracket.



TYGER®

STEP 4

With assistance, lift the Tyger Guard up to the outside of the Brackets. Bolt the Tyger Guard to the Brackets with the (4) 10mm x 35mm Hex Bolts, (8) 10mm Flat Washers and (4) Nylon Lock Nuts, (Figs 7-8). Do not fully tighten hardware at this time.



STEP 5

Stand back from the vehicle and check to see that the Tyger Guard is centered and level on the vehicle and adjust as necessary.

IMPORTANT: Once properly aligned, tighten all hardware.

STEP 6

Do periodic inspections of the installation to make sure that all hardware is secure and tight.

STEP 7

Optional: If the vehicle was not equipped with tow hooks, the plastic cover described in Step 2, (Fig 1), may be reinstalled once the Tyger Guard is properly adjusted. Trim equal amounts from each end until the cover fits between the Frame Mounting Brackets. Line up the mounting holes and secure the cover with the factory clips and hardware.

