



TYGER®

TYGER GUARD

TG-GD6C60538

BEFORE INSTALLATION

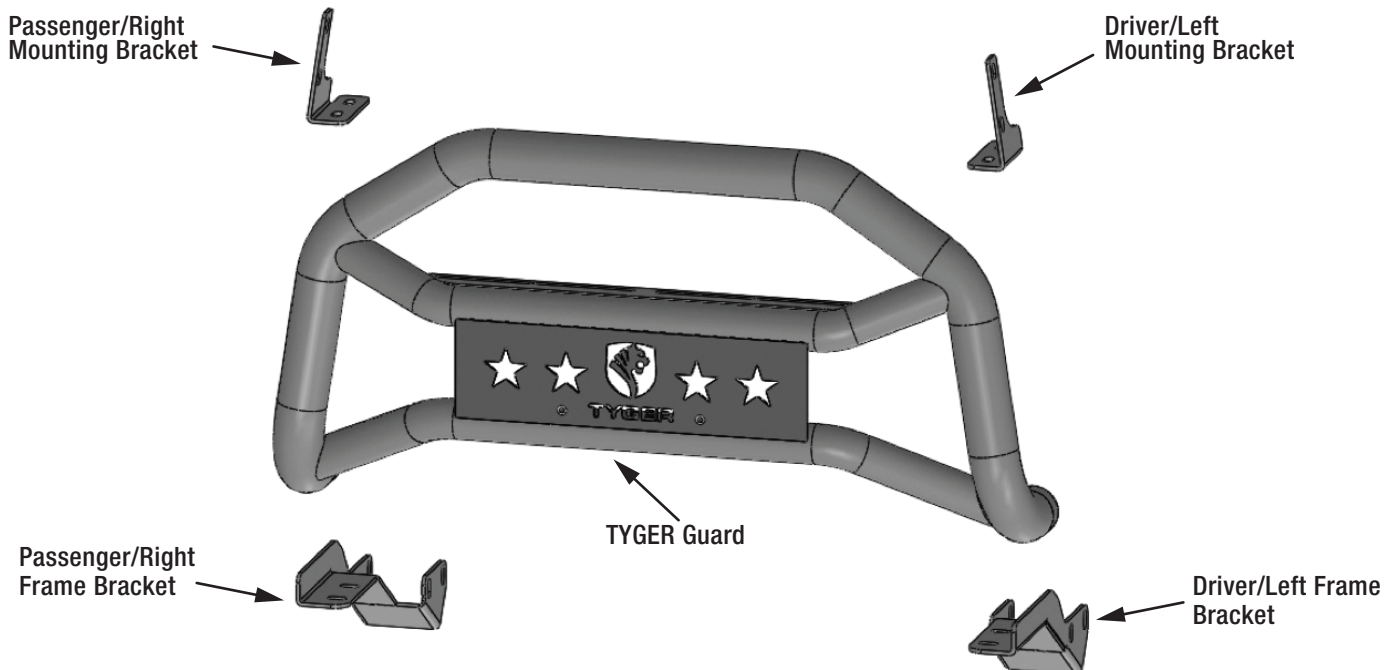
READ INSTRUCTIONS CAREFULLY BEFORE STARTING INSTALLATION. REMOVE CONTENTS FROM BOX AND VERIFY ALL PARTS ARE PRESENT. FAILURE TO IDENTIFY DAMAGE BEFORE INSTALLATION COULD LEAD TO A REJECTION OF ANY CLAIM. IF MISSING PARTS OR ANY DAMAGE FOUND, PLEASE TAKE A PICTURE FOR THE CLAIM PURPOSE.

TORQUE VALUES

Fastener Size	Class 8.8 Torque (ft-lbs)	Class 10.9 Torque (ft-lbs)
6mm	6-7	6-7
8mm	15-16	22-23
10mm	31-32	44-45
12mm	54-55	78-79
14mm	87-88	125-126

Parts List

- x1 Tyger Guard
- x1 Driver/Left Frame Bracket
- x1 Passenger/Right Frame Bracket
- x1 Driver/Left Mounting Bracket
- x1 Passenger/Right Mounting Bracket
- x4 10mm x 35mm Double Bolt Plates
- x8 10mm x 30mm Hex Bolts
- x24 10mm x 27mm OD x 3mm Flat Washers
- x16 10mm Nylon Lock Nuts





TYGER[®]

PROCEDURE:

REMOVE CONTENTS FROM BOX AND VERIFY ALL PARTS ARE PRESENT. READ INSTRUCTIONS CAREFULLY. CUTTING MAY BE REQUIRED. INSTALLATION MAY INTERFERE WITH FRONT MOUNTED SENSORS.

NOTE: IT MAY BE NECESSARY TO REMOVE/RELOCATE FRONT LICENSE PLATE AND LICENSE PLATE BRACKET. IT IS NOT REQUIRED, BUT STRONGLY RECOMMENDED. IF LOCAL/STATE LAW REQUIRES A FRONT LICENSE PLATE, LICENSE PLATE RELOCATION KIT IS AVAILABLE.

STEP 1

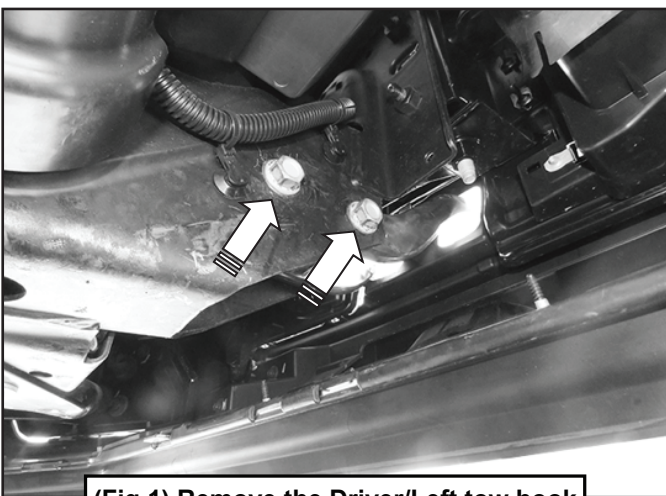
Start installation from under the front of the vehicle. Determine if the vehicle is equipped with tow hooks.

IMPORTANT: Tow hooks cannot be reinstalled with the Tyger Guard.

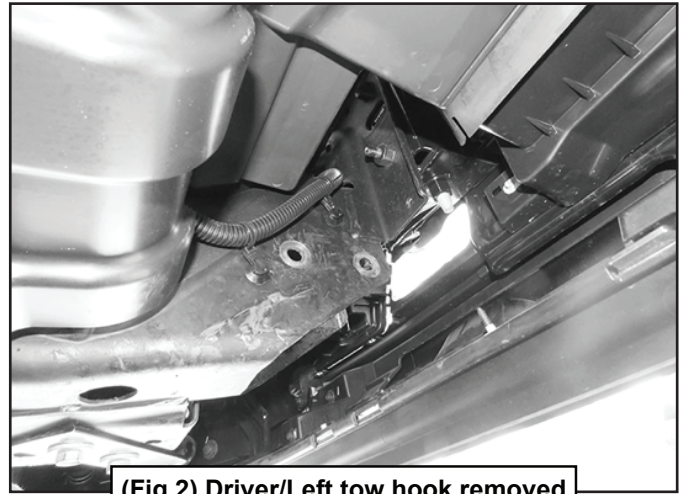
Tow Hook equipped vehicles:

a. Remove the factory tow hook from the end of each frame, (Figs 1 & 2).

Driver/Left Side Installation Pictured



(Fig 1) Remove the Driver/Left tow hook



(Fig 2) Driver/Left tow hook removed

b. Select the Driver/Left Frame Bracket. Insert the Bracket through the opening in the bumper and up to the frame. Trim the plastic as required to clear the Bracket. Repeat to check for clearance on Passenger/Right side of bumper.
c. Proceed to **STEP 2**.

Vehicles without tow hooks:

a. Cut out the indented area in both sides of the plastic bumper insert to clear the Brackets.

IMPORTANT: Make several small cuts for best fit.

b. Check for clearance between Brackets and opening and trim the plastic as required to clear the Brackets.

STEP 2

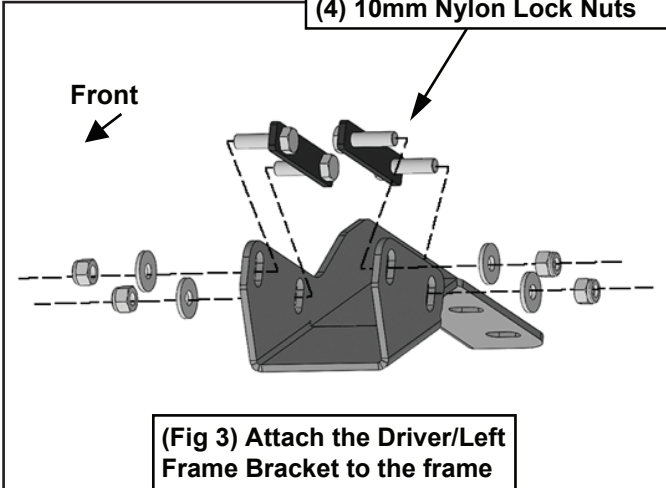
Line up the holes in the Bracket with the holes in the end of the frame. Select (2) 10mm Double Bolt Plates. Insert the Bolt Plates into the end of the frame and out through the (4) holes in the sides of the frame and out through the Bracket. Attach the Bracket to the Bolt Plates with (4) 10mm Flat Washers and (4) 10mm Nylon Lock Nuts, (Figs 3—5). Leave hardware loose at this time.

Driver/Left Side Installation Pictured

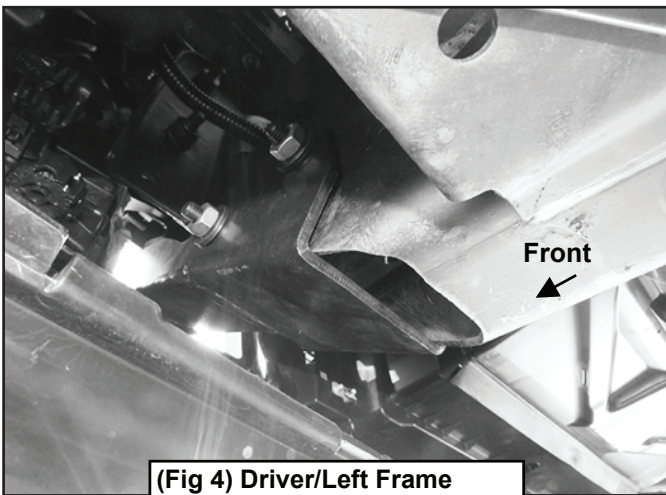


TYGER[®]

- (2) 10mm Double Bolt Plates
- (4) 10mm Flat Washers
- (4) 10mm Nylon Lock Nuts



(Fig 3) Attach the Driver/Left Frame Bracket to the frame



(Fig 4) Driver/Left Frame Bracket attached to the frame



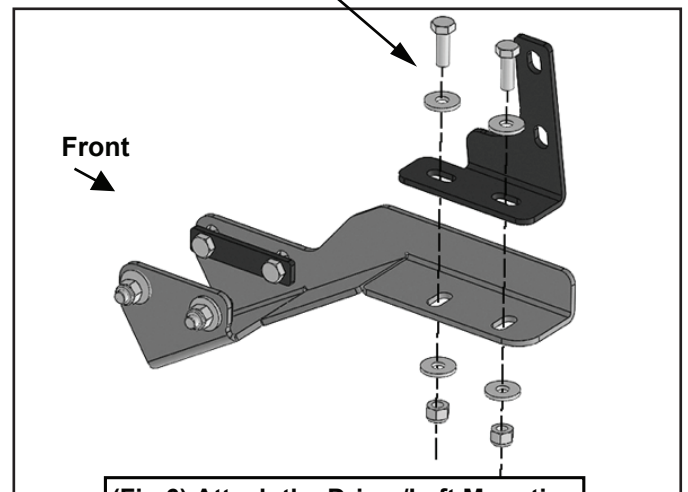
(Fig 5) Mounting Bracket location

STEP 3

Select the Driver/Left Mounting Bracket. Attach the Mounting Bracket to the Driver/Left Frame Bracket with (2) 10mm Hex Bolts, (4) 10mm Flat Washers and (2) 10mm Nylon Lock Nuts, (Figs 6 & 7). DO NOT tighten hardware at this time.

Driver/Left Side Installation Pictured

- (2) 10mm Hex Bolt
- (4) 10mm Flat Washers
- (2) 10mm Nylon Lock Nuts



(Fig 6) Attach the Driver/Left Mounting Bracket to the Frame Bracket



(Fig 7) Driver/Left Mounting Bracket attached to the Frame Bracket



TYGER[®]

STEP 4

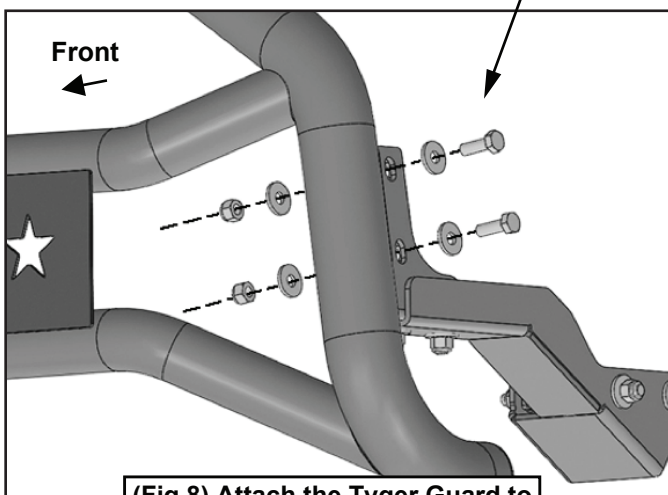
Repeat **STEPS 2 & 3** to attach the Passenger/Right Frame and Mounting Brackets.

STEP 5

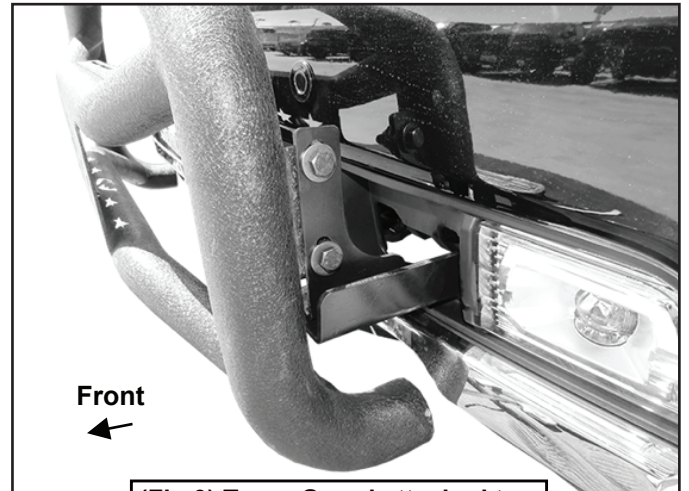
With assistance, hold the Tyger Guard up to position on the inside of the Mounting Brackets. Attach the Tyger Guard to the Brackets with (4) 10mm Hex Bolts, (8) 10mm Flat Washers and (4) 10mm Nylon Lock Nuts, (Figs 8 & 9). **DO NOT** tighten hardware at this time.

Driver/Left Side Installation Pictured

(2) 10mm Hex Bolts
(4) 10mm Flat Washers
(2) 10mm Nylon Lock Nuts



(Fig 8) Attach the Tyger Guard to the Driver/Left Mounting Bracket



(Fig 9) Tyger Guard attached to the Driver/Left Mounting Bracket

STEP 6

Check the Tyger Guard alignment with the vehicle and for clearance between the Tyger Guard and the bumper. Adjust as necessary then fully tighten all hardware at this time.



Installation Complete

STEP 7

Do periodic inspections to the installation to make sure that all hardware is secure and tight.