



TYGER®

TYGER GUARD™

BEFORE INSTALLATION

READ INSTRUCTIONS CAREFULLY BEFORE STARTING INSTALLATION. REMOVE CONTENTS FROM BOX AND VERIFY ALL PARTS ARE PRESENT. ASSISTANCE IS RECOMMENDED. FAILURE TO IDENTIFY DAMAGE BEFORE INSTALLATION COULD LEAD TO A REJECTION OF ANY CLAIM. IF ANY DAMAGE FOUND, PLEASE TAKE A PICTURE FOR THE CLAIM PURPOSE.

WARNING

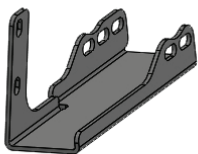
TEXTURED COATED FINISHES SHOULD BE CLEANED WITH A MILD SOAP ON A DAMP SPONGE. DO NOT APPLY POLISH OR WAX THAT REQUIRES TO BE REMOVED BY MEANS OF BUFFING. THIS TYPE OF WAX IS COMMONLY USED AT CAR WASH FACILITIES.



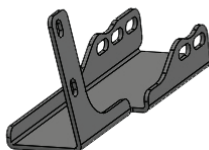
(2) Single Bolt Plates



(2) Double Bolt Plates



Passenger/right Side
Frame Bracket



Driver/left Side
Frame Bracket

TG-GD6C60048

NOTE: Cutting may be required. Installation may interfere with front mounted sensors.

Parts List

- x1 Tyger Guard
- x1 Driver/left Frame Bracket
- x1 Passenger/Right Frame Bracket
- x6 12-1.75mm Nylon Lock Nuts
- x6 12mm x 24mm OD x 2.5mm Flat Washers
- x2 12mm x 30mm Double Bolt Plates
- x2 12mm x 35mm Single Bolt Plates
- x4 10-1.5mm x 35mm Hex Bolts
- x8 10mm x 27mm OD x 2 mm Flat Washers
- x4 10-1.5mm Nylon Lock Nuts
- x1 4mm Wrench
- x2 6-1.0mm x 20mm Combo Bolts
(license plate)



TYGER[®]

STEP 1

Start installation from under the front of the vehicle. Determine if the vehicle is equipped with tow hooks. **IMPORTANT:** Tow hooks cannot be reinstalled with the Tyger Guard.

Tow Hook equipped vehicles:

Remove the factory tow hook from the end of each frame channel, (Fig 1). Skip to Step 2 if tow hooks were accessible and have been removed. **NOTE:** Tow hooks on 2014-on models may be difficult to remove and assistance is highly recommended on these models. The following info only applies to the 2014-on models.

- a. On models with factory fog lights, unplug both lights. Move all wiring harnesses away from bumper.
 - b. Open the hood and remove the cover between the top of the radiator and the grille. Remove the bolts attaching the bottom of the grille if attached to the cross member. Remove the grille.
 - c. On 2014-15 models, from behind the bumper, release the clips and hardware to remove the plastic body panel, (facia), on top of the bumper between the bottom of the grille and the top of the bumper, (Fig 2).
 - d. Remove the outer bumper supports on each side of the frame.
 - e. Place blocks or jack stands under the front bumper to support it during mounting bolt removal. Once the bumper has been safely supported, remove the factory bumper bolts attaching the bumper to the inner bumper bracket bolted to the end of the frame, (Figs 2-3).
- WARNING!** Assistance is required to hold the bumper in place during bolt removal to prevent the bumper from falling. Carefully slide the bumper assembly with brackets off of the ends of the frame.
- f. Once bumper has been removed, remove both tow hooks.
 - g. Reattach the bumper, facia panel if equipped and grille after both tow hooks have been removed and the openings have been checked for Bracket clearance. Trim around openings as required for Bracket clearance.
 - h. Tighten all factory bumper hardware at this time.
 - i. Proceed to Step 2.



(Fig 1) Example of Tow hook

2014-15 models, from behind the bumper, remove the clips securing the facia to the top of the bumper

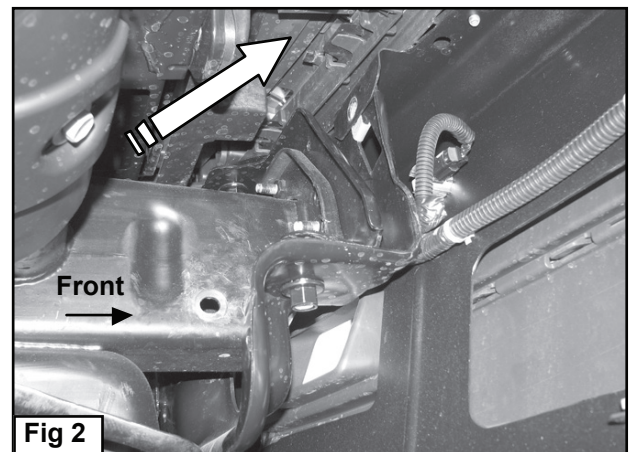
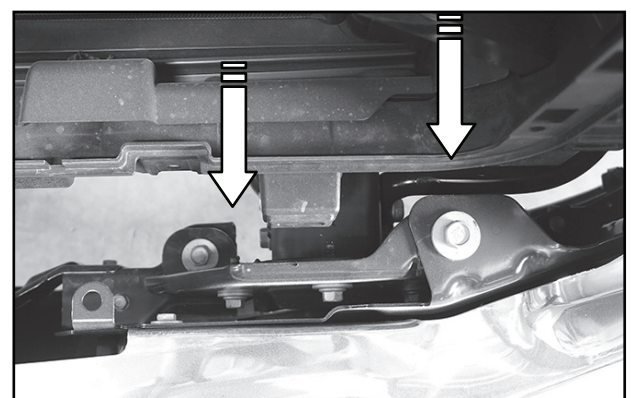


Fig 2



(Fig 3) 2016 model to show bumper bolt locations from above (arrows) with grille removed. 2014-15 models also remove plastic facia panel to access bumper bolts as necessary

Tyger are proud to offer a high quality product at the industries most competitive pricing!



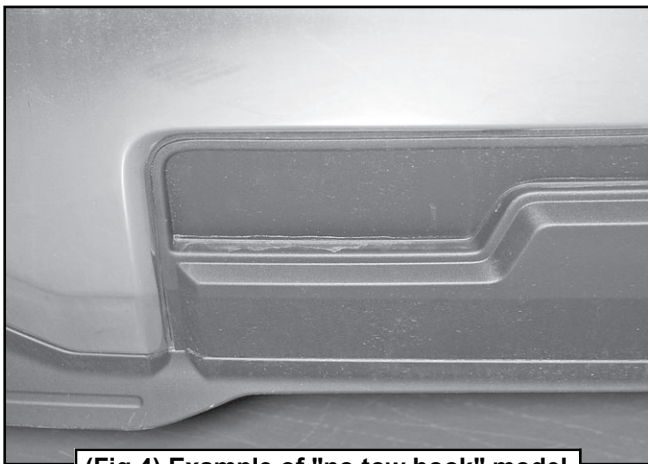
TYGER[®]

Vehicles without Tow Hooks:

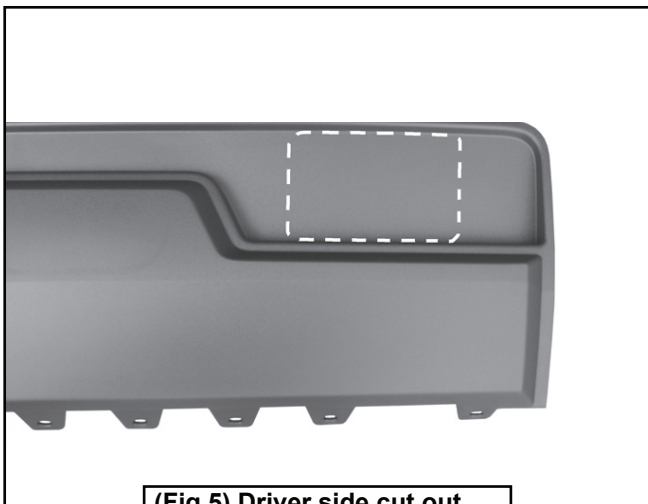
a. Cut out the indented area on both sides of the plastic bumper insert to clear the Brackets as pictured, (Figs 4-5).

IMPORTANT: Make several small cuts for best fit. Do not cut through the top edge of the panel. **NOTE:** On 2014-15 models, the plastic panel is held in place with several small screws. The screws at the top corners are difficult to impossible to reach and remove without damaging the cover with the bumper in place. If you prefer to remove the panel to cut out the openings, it will be easier to remove the bumper assembly with the plastic panel attached.

b. Reattach the bumper assembly, (if removed), facia and grille once openings have been cut out and checked for clearance. Tighten all factory bumper hardware at this time.



(Fig 4) Example of "no tow hook" model



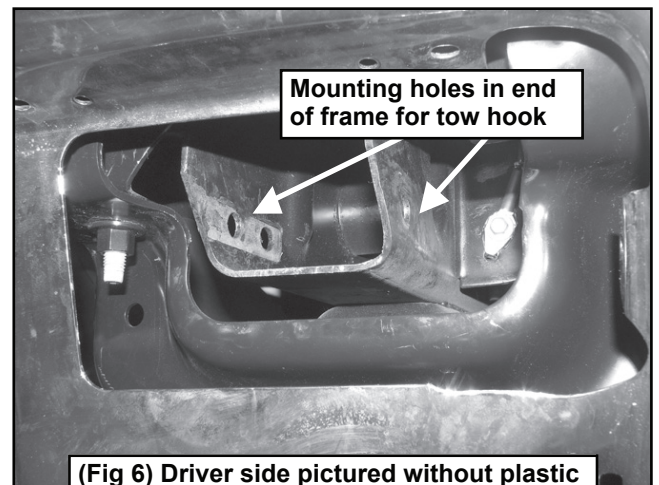
(Fig 5) Driver side cut out illustrated for reference only

STEP 2

Select the driver side Mounting Bracket. Insert the Bracket through the opening in the bumper, (Fig 5). Trim the plastic as required to clear the Brackets.

STEP 3

Line up the holes in the Bracket with the holes in the end of the frame channel for the tow hook, (Fig 6). Select (1) 12mm Double Bolt Plate, (Fig 7). Insert the Bolt Plate into the end of the frame, through the (2) holes in the side of the frame and out through the Bracket, (Figs 8-9). Secure the Bracket to the Bolt Plate with (2) 12mm Flat Washers and (2) 12mm Nylon Lock Nuts. Snug but do not fully tighten hardware at this time.



(Fig 6) Driver side pictured without plastic panel for instruction purposes only



Fig 7



TYGER[®]

STEP 4

Repeat Step 3 to install the 12mm Single Bolt Plate, (Fig 10), into the remaining hole in the other side of the frame channel and Bracket, (Figs 8 & 11).

- (1) 12mm Double Bolt Plate
- (2) 12mm Flat Washers
- (2) 12mm Nylon Lock Nuts

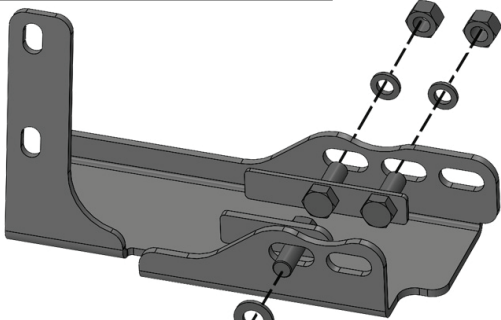
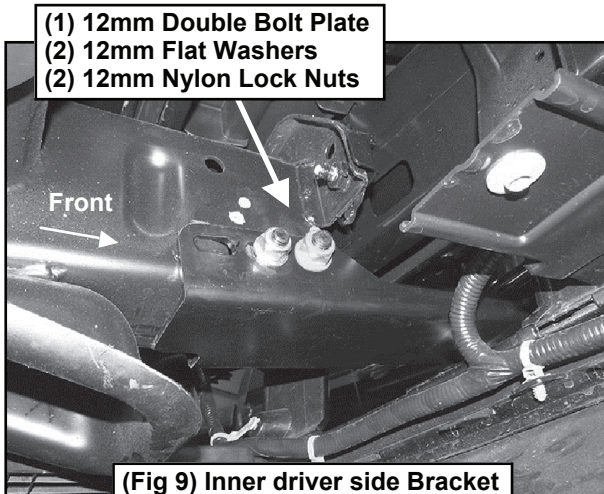


Fig 8

- (1) 12mm Single Bolt Plate
- (1) 12mm Flat Washer
- (1) 12mm Nylon Lock Nut



(Fig 9) Inner driver side Bracket with Double Bolt Plate

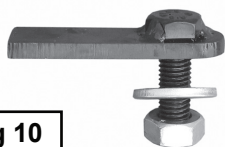
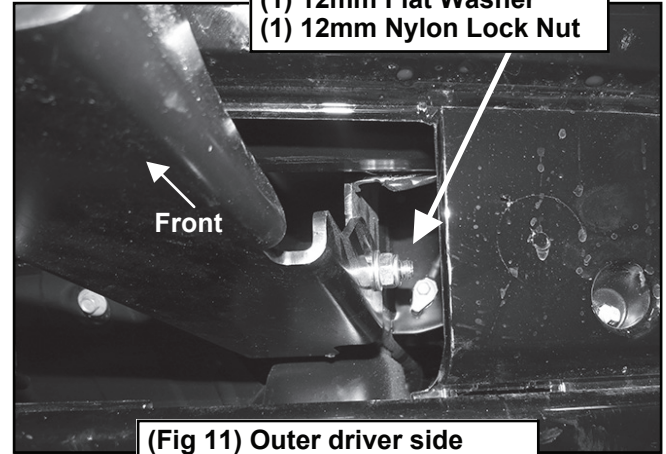


Fig 10

- (1) 12mm Single Bolt Plate
- (1) 12mm Flat Washer
- (1) 12mm Nylon Lock Nut

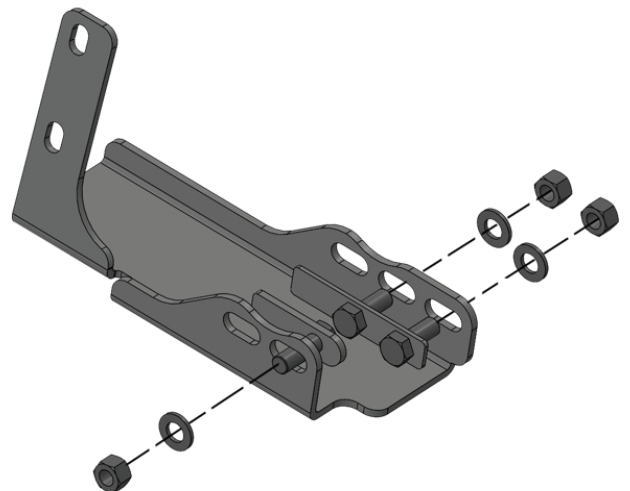


(Fig 11) Outer driver side Bracket with Single Bolt Plate

STEP 5

IMPORTANT:

The Brackets are designed with (2) mounting positions to fit multiple years. Most Silverado/Sierra models will use the "back" mounting position with the Brackets pushed in to install the Tyger Guard closer to the bumper, (Fig 8). Some years may require the forward mounting position to move the Tyger Guard forward or to provide more clearance for accessory lights, (Fig 12).



(Fig 12) Forward mounting position



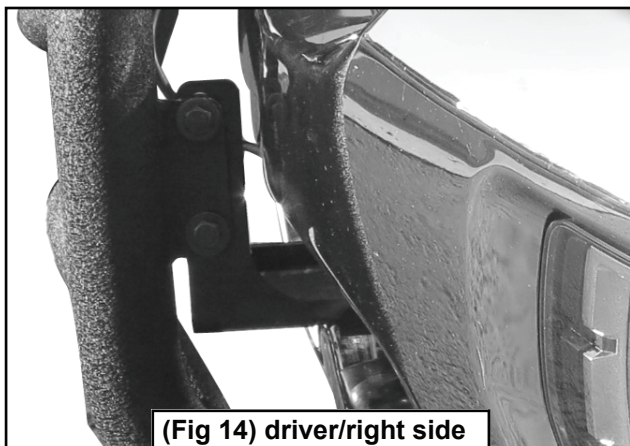
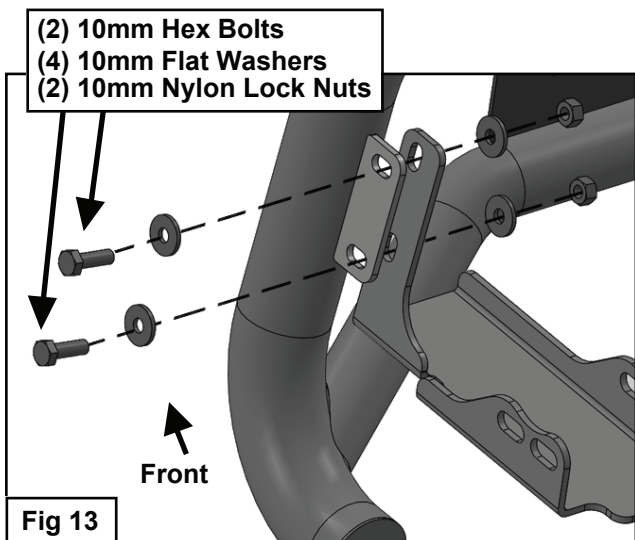
TYGER[®]

STEP 6

Repeat Steps 2-5 to install the passenger side Mounting Bracket.

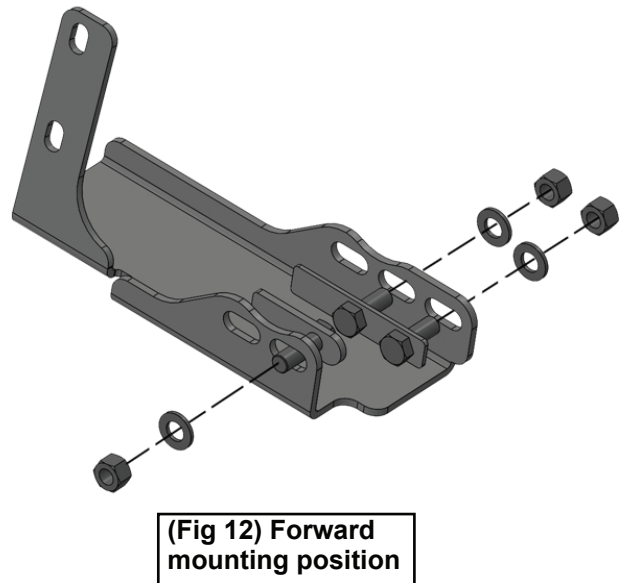
STEP 7

With assistance, hold the Tyger Guard up in position on the outside of the Mounting Brackets. Bolt the Tyger Guard to the Brackets with (4) 10mm Hex Bolts, (8) 10mm Flat Washers and (4) 10mm Nylon Lock Nuts, (Figs 13-14). Do not tighten hardware at this time.



STEP 8

Check the Tyger Guard alignment with the vehicle and for clearance between the Tyger Guard and the bumper. If Tyger Guard is too close to or touching bumper, remove the Tyger Guard and reinstall the Brackets in the “forward” position away from the bumper (Fig 12). Adjust as required then fully tighten all hardware at this time.



STEP 9

Do periodic inspections to the installation to make sure that all hardware is secure and tight.



Learn more about grille guards and bull bars we have.